

Brownian disks and the Brownian snake

Jean-François Le Gall*

Revised version, October 20, 2017

Abstract

We provide a new construction of the Brownian disks, which have been defined by Bettinelli and Miermont as scaling limits of quadrangulations with a boundary when the boundary size tends to infinity. Our method is very similar to the construction of the Brownian map, but it makes use of the positive excursion measure of the Brownian snake which has been introduced recently. This excursion measure involves a random continuous tree whose vertices are assigned nonnegative labels, which correspond to distances from the boundary in our approach to the Brownian disk. We provide several applications of our construction. In particular, we prove that the uniform measure on the boundary can be obtained as the limit of the suitably normalized volume measure on a small tubular neighborhood of the boundary. We also prove that connected components of the complement of the Brownian net are Brownian disks, as it was suggested in the recent work of Miller and Sheffield. Finally, we show that connected components of the complement of balls centered at the distinguished point of the Brownian map are independent Brownian disks, conditionally on their volumes and perimeters.

1 Introduction

In the last ten years, much work has been devoted to the construction and study of continuous models of random geometry in two dimensions. A popular approach has been to start from the discrete models called planar maps, which are just graphs drawn on the two-dimensional sphere and viewed up to orientation-preserving homeomorphisms of the sphere. Choosing a planar map uniformly at random in a suitable class, for instance the class of all triangulations of the sphere with a fixed number of faces, yields a discrete model of random geometry. In order to get a continuous model, one equips the vertex set of a random planar map with the (suitably rescaled) graph distance, and studies the convergence in distribution of the resulting (discrete) metric space as the size of the map tends to infinity. This requires a notion of convergence for a sequence of compact metric spaces, which is provided by the Gromov-Hausdorff distance (see for instance [14]). It was proved independently in [43] for quadrangulations and in [33] for more general cases including triangulations, that several important classes of random planar maps converge in this sense toward a limiting random compact metric space called the Brownian map, which had been introduced previously in [40]. Several recent papers (see in particular [1, 4, 9, 41]) have shown that many other classes of random planar maps converge to the Brownian map, which thus provides a universal continuous model of random geometry in two dimensions. On the other hand, in a series of recent papers [45, 46, 47, 48], Miller and Sheffield have shown that the Brownian map can be equipped with a conformal structure, which is linked to Liouville

*Supported by the ERC Advanced Grant 740943 GEOBROWN

quantum gravity, and that this conformal structure is in fact determined by the Brownian map viewed as a random metric space. An important step in this program was to derive an axiomatic characterization of the Brownian map [45].

The Brownian map is known to be homeomorphic to the sphere, but other models homeomorphic to the disk have been introduced under the name of Brownian disks, and are expected to correspond to scaling limits of planar maps with a boundary. Following the earlier work of Bettinelli [8], Bettinelli and Miermont [10] constructed Brownian disks as scaling limits of quadrangulations with a boundary, when the number of faces grows like a constant times the square of the size of the boundary (see also [5] for a general discussion of possible scaling limits for quadrangulations with a boundary). A Brownian disk \mathbb{D} is homeomorphic to the closed unit disk of the plane, and its boundary $\partial\mathbb{D}$ may be defined as the set of all points that have no neighborhood homeomorphic to an open disk. Furthermore, Brownian disks are equipped with a natural volume measure and are thus viewed as random measure metric spaces. The distribution of a Brownian disk depends on two parameters, on one hand the perimeter or size of the boundary, and on the other hand the volume or total mass of the volume measure. If the perimeter r is fixed, there is a natural way of choosing the volume at random, and this leads to the so-called free Brownian disk with perimeter r , which is shown in [10] to be the scaling limit of Boltzmann quadrangulations with a boundary (see Section 4.2 below). Although this has not yet been proved, it is very likely that the Brownian disk also appears as the scaling limit of more general classes of random planar maps with a boundary. The case of quadrangulations with a *simple* boundary was treated very recently by Gwynne and Miller [27], in view of applications to the study of percolation interfaces on random quadrangulations with a boundary [28]. Interestingly, Brownian disks, as defined in [10], also play an important role in the recent papers [25, 26].

Our goal in this work is to develop a new construction of Brownian disks in terms of the Brownian snake positive excursion measure, which has been introduced and studied in [2]. We hope that this construction will be a useful tool for further investigations of Brownian disks and for new applications of these random objects. Our construction is in a sense similar to the one in [10] as it relies on a random continuous tree whose vertices are assigned real labels, but, in contrast with [10], labels in our approach correspond to distances from the boundary. This has several advantages, and in particular it makes it possible to define the uniform measure on the boundary as the limit of the volume measure restricted to the ε -neighborhood of the boundary and scaled by the factor ε^{-2} . Our construction also enables us to prove that Brownian disks can be embedded in the Brownian map in various ways. In particular, we show that connected components of the complement of balls in the Brownian map are Brownian disks. We also establish that connected components of the complement of the so-called Brownian net, which is a closed subset of the Brownian map playing an important role in the axiomatic characterization of [45], are Brownian disks. As a matter of fact, these connected components were already called Brownian disks in [45, Section 4.2], but the equivalence with the definition of Brownian disks as scaling limits of random planar maps with a boundary had not been proved (see the discussion in [10, Section 1.6]). We note that a different method aiming to connect the definition of Brownian disks in [45] with that in [10] is developed in the forthcoming paper [29].

Let us turn to a more precise description of our main results. We start by recalling that the usual construction of the Brownian map relies on considering the Brownian snake excursion measure \mathbb{N}_0 , which is a convenient way of representing Brownian motion indexed by the Brownian tree. Under \mathbb{N}_0 , the values of the Brownian snake form a collection $(W_s)_{0 \leq s \leq \sigma}$, such that, for every $s \in [0, \sigma]$, $W_s = (W_s(t))_{0 \leq t \leq \zeta_s}$ is a finite Brownian path with initial point 0 and lifetime

$\zeta_s \geq 0$. The lifetime process $(\zeta_s)_{0 \leq s \leq \sigma}$ is distributed under \mathbb{N}_0 according to the Itô measure of positive excursions of linear Brownian motion, see e.g. [50]. Furthermore, the genealogical structure of the paths W_s , $0 \leq s \leq \sigma$ is described by the tree \mathcal{T}_ζ , which is the tree coded by $(\zeta_s)_{0 \leq s \leq \sigma}$ (see Section 3.2 for a precise definition of \mathcal{T}_ζ). Recall that \mathcal{T}_ζ is obtained as a quotient space of the interval $[0, \sigma]$, and write p_ζ for the corresponding canonical projection, so that \mathcal{T}_ζ is equipped with a volume measure defined as the push forward of Lebesgue measure under p_ζ . One can define “Brownian labels” on the tree \mathcal{T}_ζ by setting $Z_a := \widehat{W}_s$ if $a = p_\zeta(s)$, where $\widehat{W}_s = W_s(\zeta_s)$ is the terminal point of the path W_s . One may also define “lexicographical intervals” on the tree \mathcal{T}_ζ : Informally, if $a, b \in \mathcal{T}_\zeta$, $[a, b]$ corresponds to the set of points of \mathcal{T}_ζ that are visited when going “clockwise around the tree” from a to b (see Section 3.2 below for a more precise definition). We then set, for every $a, b \in \mathcal{T}_\zeta$,

$$D^\circ(a, b) = Z_a + Z_b - 2 \max \left(\min_{c \in [a, b]} Z_c, \min_{c \in [b, a]} Z_c \right). \quad (1)$$

and

$$D(a, b) = \inf \left\{ \sum_{i=1}^k D^\circ(a_{i-1}, a_i) \right\}, \quad (2)$$

where the infimum is over all choices of the integer $k \geq 1$ and of the elements a_0, a_1, \dots, a_k of \mathcal{T}_ζ such that $a_0 = a$ and $a_k = b$. We observe that D defines a pseudo-metric on \mathcal{T}_ζ and let \approx stand for the associated equivalence relation ($a \approx b$ if and only if $D(a, b) = 0$, which turns out to be equivalent to $D^\circ(a, b) = 0$). The Brownian map is then defined as the quotient $\mathcal{M} := \mathcal{T}_\zeta / \approx$ equipped with the distance induced by D and with the volume measure \mathbf{v} which is the push forward of the volume measure on \mathcal{T}_ζ under the canonical projection. More precisely, this is what may be called the “free Brownian map” under the (σ -finite) measure \mathbb{N}_0 , and the same construction under the probability measure $\mathbb{N}_0^{(1)} := \mathbb{N}_0(\cdot \mid \sigma = 1)$ (under which the lifetime process is a normalized Brownian excursion) yields the standard Brownian map.

Quite remarkably, a close variant of the preceding construction will give the Brownian disk. The main ingredient now is the positive excursion measure \mathbb{N}_0^* introduced in [2]. Under \mathbb{N}_0^* , we still have a collection of finite paths W_s , $0 \leq s \leq \sigma$, with respective lifetimes ζ_s , $0 \leq s \leq \sigma$, whose genealogical structure is determined by the tree \mathcal{T}_ζ coded by $(\zeta_s)_{0 \leq s \leq \sigma}$. However the paths W_s now behave quite differently from Brownian paths. Indeed, each path W_s , $0 < s < \sigma$, starts from 0, then stays positive on some nontrivial interval $(0, u)$ and if it returns to 0 it is stopped at that moment. To give a somewhat informal description of \mathbb{N}_0^* , let \mathbb{N}_ε be obtained from \mathbb{N}_0 by adding ε to the paths W_s . Then, in a way similar to classical approximations of the Itô excursion measure of Brownian motion, the measure \mathbb{N}_0^* appears as the limit when $\varepsilon \downarrow 0$ of the distribution under the (rescaled) measure \mathbb{N}_ε of the collection of paths $(W_s(\cdot \wedge \tau_0(W_s)))_{0 \leq s \leq \sigma}$, where $\tau_0(W_s)$ denotes the first hitting time of 0 by W_s (see [2, Theorem 23] for a more precise statement). Under \mathbb{N}_0^* , one can define a random quantity \mathcal{Z}_0^* called the exit measure, which counts in some sense the number of paths W_s that return to 0, and one can make sense of the conditional probability measures $\mathbb{N}_0^{*,z} = \mathbb{N}_0^*(\cdot \mid \mathcal{Z}_0^* = z)$. See Fig.1 for a schematic illustration.

Arguing now under $\mathbb{N}_0^{*,z}$ for some fixed $z > 0$, we consider again the tree \mathcal{T}_ζ , the labels Z_a , the functions $D^\circ(a, b)$ and $D(a, b)$, and the equivalence relation \approx defined exactly as above. Then, under $\mathbb{N}_0^{*,z}$, the quotient space $\mathcal{T}_\zeta / \approx$ equipped with the distance induced by D turns out to be the free Brownian disk with perimeter z and boundary glued into a single point. Here, if $(\mathbb{D}_z, \mathbf{d}_z)$ stands for a Brownian disk with perimeter z , and if $\partial \mathbb{D}_z$ denotes its boundary, the Brownian disk with glued boundary is the quotient of \mathbb{D}_z corresponding to the pseudo-metric

$$\mathbf{d}_z^\dagger(x, y) = \min \{ \mathbf{d}_z(x, y), \mathbf{d}_z(x, \partial \mathbb{D}_z) + \mathbf{d}_z(y, \partial \mathbb{D}_z) \},$$

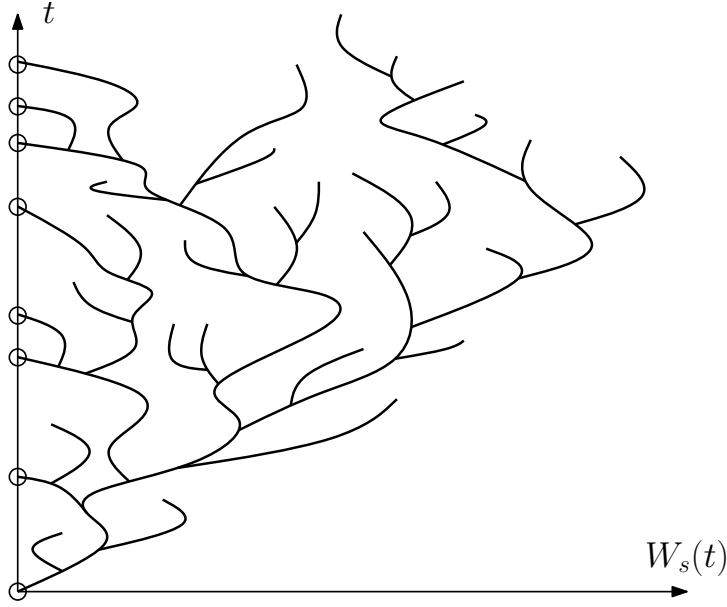


Figure 1: A schematic representation of the tree of paths $(W_s)_{0 \leq s \leq \sigma}$ under \mathbb{N}_0^* . The time parameter t for the paths W_s is represented by the vertical coordinate. The exit measure Z_0^* “counts” the number of circled points corresponding to those paths W_s that return to 0. For the sake of clarity, the paths W_s do not cross on the figure, although of course they should.

which identifies all points of $\partial \mathbb{D}_z$. The reason why a naive imitation under \mathbb{N}_0^* of the construction of the Brownian map yields an object with glued boundary is easy to understand: If one defines the “boundary” of \mathcal{T}_ζ under $\mathbb{N}_0^{*,z}$ by $\partial \mathcal{T}_\zeta := \{a \in \mathcal{T}_\zeta : Z_a = 0\}$, it is immediate from (1) that $D(a, b) = 0$ for every $a, b \in \partial \mathcal{T}_\zeta$, $\mathbb{N}_0^{*,z}$ a.s.

The point is now to reconstruct the metric on the Brownian disk from the one on the same object with glued boundary. Still arguing under $\mathbb{N}_0^{*,z}$, we set $\Delta^\circ(a, b) = D^\circ(a, b)$ if

$$\max \left(\min_{c \in [a, b]} Z_c, \min_{c \in [b, a]} Z_c \right) > 0$$

and $\Delta^\circ(a, b) = \infty$ otherwise. Informally, the condition in the last display means that we can go from a to b around the tree without visiting a vertex of $\partial \mathcal{T}_\zeta$. We then define $\Delta(a, b)$ for $a, b \in \mathcal{T}_\zeta \setminus \partial \mathcal{T}_\zeta$ by the analog of formula (2) where D° is replaced by Δ° . It is not hard to verify that the mapping $(a, b) \mapsto \Delta(a, b)$ takes finite values and is continuous on $(\mathcal{T}_\zeta \setminus \partial \mathcal{T}_\zeta) \times (\mathcal{T}_\zeta \setminus \partial \mathcal{T}_\zeta)$.

Theorem 1. *With probability one under $\mathbb{N}_0^{*,z}$, the function $(a, b) \mapsto \Delta(a, b)$ has a continuous extension to $\mathcal{T}_\zeta \times \mathcal{T}_\zeta$, which is a pseudo-metric on \mathcal{T}_ζ . We let Θ stand for the associated quotient space, and we equip Θ with the induced metric, which is still denoted by $\Delta(a, b)$, and with the volume measure $\mathbf{V}(dx)$, which is the image of the volume measure on \mathcal{T}_ζ under the canonical projection. Then, the random measure metric space $(\Theta, \Delta, \mathbf{V})$ is a free Brownian disk with perimeter z under $\mathbb{N}_0^{*,z}$, and its boundary $\partial \Theta$ is the image of $\partial \mathcal{T}_\zeta$ under the canonical projection from \mathcal{T}_ζ onto Θ . Furthermore, if $x \in \Theta$ is the image of $a \in \mathcal{T}_\zeta$ under the canonical projection, we have*

$$\Delta(x, \partial \Theta) = Z_a.$$

In order to recover a Brownian disk with perimeter z and fixed volume v , it then suffices to condition $\mathbb{N}_0^{*,z}$ on the event $\{\mathbf{V}(\Theta) = v\}$, noting that $\mathbf{V}(\Theta) = \sigma$ is nothing but the duration of the excursion under $\mathbb{N}_0^{*,z}$.

Proposition 2. *Almost surely under $\mathbb{N}_0^{*,z}$, there exists a finite measure ν on $\partial\Theta$ with total mass z , such that, for every bounded continuous function φ on Θ ,*

$$\langle \nu, \varphi \rangle = \lim_{\varepsilon \rightarrow 0} \frac{1}{\varepsilon^2} \int_{\Theta} \mathbf{V}(dx) \varphi(x) \mathbf{1}_{\{\Delta(x, \partial\Theta) < \varepsilon\}}.$$

The measure ν is interpreted as the uniform measure on the boundary. Notice that the construction in [8, 10] also gives a natural way of defining a measure on the boundary, which one should be able to identify with the measure ν of the preceding proposition. This identification does not seem to be easy because the construction in [8, 10] is rather different, and does not give access to distances from the boundary which are used in our approximations of ν . We however note that there are other ways of defining the same measure ν on the boundary: Using the so-called “exit local time” under $\mathbb{N}_0^{*,z}$, one can define a simple continuous loop whose range is $\partial\Theta$, and the measure ν coincides with the occupation time measure of this loop (Corollary 37). Finally, we observe that [45, Section 4.2] constructs a local time measure on the boundary of a filled metric ball of the Brownian map (these filled metric balls are called hulls in the present work), which can be identified with our measure ν once we know that the complement of a filled metric ball is a Brownian disk — see Theorem 3 below. In fact, the construction of [45] relies on the exit local time of the Brownian snake, which we also use to construct ν in Section 10.

As an application of Theorem 1, we show that connected components of the complement of balls in the Brownian map are Brownian disks. To state this in a precise form, we recall that (under \mathbb{N}_0 or under $\mathbb{N}_0^{(1)}$), the Brownian map \mathcal{M} has a distinguished point x_* corresponding to the point a_* of \mathcal{T}_ζ with minimal label. The interest of considering x_* comes from the property $D(a_*, a) = Z_a - Z_{a_*}$ for every $a \in \mathcal{T}_\zeta$, showing that labels correspond to distances from x_* , up to the shift by $-Z_{a_*}$ (on the other hand, the invariance of the Brownian map under uniform re-rooting [32, Theorem 8.1] shows that x_* plays no special role in the Brownian map). We use the notation $B(x_*, r)$ for the closed ball of radius r centered at x_* in \mathcal{M} . We also recall that \mathbf{v} stands for the volume measure on \mathcal{M} (which is a probability measure under $\mathbb{N}_0^{(1)}$). If O is an open subset of \mathcal{M} , we can define an *intrinsic* metric d_{intr}^O on O by declaring that $d_{\text{intr}}^O(x, y)$ is the minimal length of a continuous path connecting x to y in O (see [14, Chapter 2]).

For every $z > 0$ and $v > 0$, we let $\mathbb{F}_{z,v}$ be the distribution of the Brownian disk with perimeter z and volume v (see [10]).

Theorem 3. *Let $r > 0$. Then, $\mathbb{N}_0^{(1)}$ a.s. for every connected component \mathbf{C} of $\mathcal{M} \setminus B(x_*, r)$, the limit*

$$|\partial\mathbf{C}| := \lim_{\varepsilon \rightarrow 0} \varepsilon^{-2} \int_{\mathbf{C}} \mathbf{v}(dx) \mathbf{1}_{\{D(x, \partial\mathbf{C}) < \varepsilon\}} \quad (3)$$

exists and is called the boundary size of \mathbf{C} . On the event $\{\mathcal{M} \setminus B(x_, r) \neq \emptyset\}$, write $\mathbf{C}^{r,1}, \mathbf{C}^{r,2}, \dots$ for the connected components of $\mathcal{M} \setminus B(x_*, r)$ ranked in decreasing order of their boundary sizes. Let $d_{\text{intr}}^{r,j}$ be the intrinsic distance on $\mathbf{C}^{r,j}$, and let $\mathbf{v}^{r,j}$ be the restriction of \mathbf{v} to $\mathbf{C}^{r,j}$. Then, $\mathbb{N}_0^{(1)}$ a.s. on the event $\{\mathcal{M} \setminus B(x_*, r) \neq \emptyset\}$, for every $j = 1, 2, \dots$, the metric $d_{\text{intr}}^{r,j}$ has a continuous extension to the closure $\overline{\mathbf{C}^{r,j}}$ of $\mathbf{C}^{r,j}$, and this extension is a metric on $\overline{\mathbf{C}^{r,j}}$. Furthermore, under $\mathbb{N}_0^{(1)}(\cdot \mid \mathcal{M} \setminus B(x_*, r) \neq \emptyset)$ and conditionally on the sequence*

$$(|\partial\mathbf{C}^{r,1}|, \mathbf{v}(\mathbf{C}^{r,1})), (|\partial\mathbf{C}^{r,2}|, \mathbf{v}(\mathbf{C}^{r,2})), \dots$$

the measure metric spaces $(\overline{\mathbf{C}}^{r,j}, d_{\text{intr}}^{r,j}, \mathbf{v}^{r,j})$, $j = 1, 2, \dots$, are independent Brownian disks with respective distributions $\mathbb{F}_{|\partial\mathbf{C}^{r,j}|, \mathbf{v}(\mathbf{C}^{r,j})}$, $j = 1, 2, \dots$

As a side remark, we note that the distribution of the collection of boundary lengths $(|\partial\mathbf{C}^{r,j}|)_{j \geq 1}$ as a function of r should be related to the growth-fragmentation process obtained in [7] as the limiting process for the lengths of cycles bounding the connected components of the complement of balls in large random triangulations.

As another application of Theorem 1, we study the connected components of the complement of the metric net of the Brownian map. We now argue under the measure \mathbb{N}_0 , so that we deal with the free Brownian map as defined above. We note that, in addition to x_* , \mathcal{M} has another distinguished point, namely x_0 that corresponds to the root of \mathcal{T}_ζ . The metric net \mathbf{N} is then defined as the closure of

$$\bigcup_{0 < r < D(x_*, x_0)} \partial\mathfrak{H}_r,$$

where, for every $r \in (0, D(x_*, x_0))$, \mathfrak{H}_r denotes the connected component containing x_0 of the complement of the closed ball $B(x_*, r)$ (the complement of \mathfrak{H}_r is the so-called hull of radius r). The metric net plays an important role in the axiomatic characterization of the Brownian map which is presented in [45]. Write $\mathbf{D}^{(1)}, \mathbf{D}^{(2)}, \dots$ for the sequence of connected components of $\mathcal{M} \setminus \mathbf{N}$, which can be ordered by decreasing size of the boundaries (for every j , the size $|\partial\mathbf{D}^{(j)}|$ may be defined by an approximation exactly similar to (3)). For every $j = 1, 2, \dots$, let $\mathbf{v}^{(j)}$ be the restriction of the volume measure on \mathcal{M} to $\mathbf{D}^{(j)}$. Then Theorem 38 below shows that, for every j , the intrinsic metric $d_{\text{intr}}^{(j)}$ on $\mathbf{D}^{(j)}$ has a continuous extension to $\overline{\mathbf{D}}^{(j)}$ and, conditionally on the sequence $(|\partial\mathbf{D}^{(j)}|, j = 1, 2, \dots)$, the measure metric spaces $(\overline{\mathbf{D}}^{(j)}, d_{\text{intr}}^{(j)}, \mathbf{v}^{(j)})$, $j = 1, 2, \dots$ are independent free Brownian disks with respective perimeters $|\partial\mathbf{D}^{(j)}|$, $j = 1, 2, \dots$. In particular, this makes it possible to identify the probability measure μ_{DISK}^L introduced in [45, Section 4.2] with the law of the free Brownian disk with perimeter L .

Let us sketch the main steps of the proof of Theorem 1, which motivates much of the subsequent developments. We start from a (pointed) Boltzmann quadrangulation, that is, a random rooted and pointed planar quadrangulation Q defined under a probability measure \mathbb{P} , such that $\mathbb{P}(Q = q) = c 12^{-k}$ for any fixed rooted and pointed planar quadrangulation q with k faces, with some normalizing constant $c > 0$. Write d_{gr} for the graph distance on the vertex set of Q , and note that this vertex set has two distinguished elements, namely the root vertex ρ and the distinguished vertex ξ . Given $\delta > 0$, it is not too hard to verify that the distribution of the metric space associated with Q under $\mathbb{P}(\cdot \mid d_{\text{gr}}(\rho, \xi) > \delta\sqrt{n})$, with distances rescaled by $\sqrt{3/2n}$, converges as n tends to infinity to the distribution of the free Brownian map under $\mathbb{N}_0(\cdot \mid W_* < -\delta\sqrt{3/2})$, where W_* stands for the minimal label under \mathbb{N}_0 (see Corollary 8 below).

The idea now is that we can “embed” a quadrangulation with a boundary in Q . To this end, still under the conditional probability $\mathbb{P}(\cdot \mid d_{\text{gr}}(\rho, \xi) > \delta\sqrt{n})$, we consider the hull of radius $\delta\sqrt{n}$ in Q , which roughly speaking contains those vertices of Q that cannot be connected to ξ by a path staying at distance greater than $\delta\sqrt{n}$ from ρ . It turns out that the quadrangulation Q may be obtained by gluing to this hull a Boltzmann quadrangulation Q_n with a boundary of size equal to the perimeter of the hull (the definition of a Boltzmann quadrangulation with a boundary is similar to the above definition in the case without boundary). For the latter statement to hold (Proposition 16), we need to use the “lazy hull” whose definition is recalled in Section 6. Furthermore, in the limiting result connecting Q under $\mathbb{P}(\cdot \mid d_{\text{gr}}(\rho, \xi) > \delta\sqrt{n})$ to the free Brownian map, the boundary size of Q_n (normalized by n^{-1}) converges to the exit

measure at level $W_* + \delta\sqrt{3/2}$ (counting “how many” Brownian snake paths exit the interval $(W_* + \delta\sqrt{3/2}, \infty)$). See Proposition 21 in Section 6.5.

We now take δ small but simultaneously condition on the event that the boundary size of Q_n is close to n (say between $(1 - \varepsilon)n$ and $(1 + \varepsilon)n$). We note that the graph distance (computed in Q) between any two points of the boundary of Q_n is smaller than $2\delta\sqrt{n}$ and thus will be small after rescaling by $\sqrt{3/2n}$. It follows that, under the preceding conditioning, the (rescaled) metric space associated with Q_n after gluing its boundary in an appropriate sense is close to the (rescaled) metric space associated with Q , which by the convergence result for planar quadrangulations is close to the free Brownian map under the special conditioning that the exit measure at level $W_* + \delta\sqrt{3/2}$ is close to 1 (see Section 7 and in particular Proposition 28).

We can analyse the behavior of the Brownian snake under the latter conditioning and relate this behavior to the measure \mathbb{N}_0^* , thanks to the re-rooting representation theorem of [2] (see Theorem 14 and Proposition 15 below). This indicates that the scaling limit of Boltzmann quadrangulations with a glued boundary can be expressed in terms of the Brownian snake under \mathbb{N}_0^* , which eventually leads to the representation of the Brownian disk with glued boundary (Theorem 22) that was already mentioned before Theorem 1. This representation in the glued case is simpler than the one of Theorem 1 as it involves only the (pseudo-)metric D defined in (2) and not the (pseudo-)metric Δ in Theorem 1.

On the other hand, to get the statement of Theorem 1, it is crucial to reconstruct the real Brownian disk metric from the one corresponding to the glued boundary case (Section 8). This is done by proving that the pseudo-metric Δ of Theorem 1 has a continuous extension to the boundary (Proposition 31, in combination with the re-rooting representation of \mathbb{N}_0^*). The idea of the proof of Theorem 1 in Section 9 is then to observe that the collection of mutual distances in a sequence of independent uniformly distributed points has the same distribution in Θ and in the free Brownian disk. To this end, we rely on a result of [10] stating that the geodesic path between two “typical points” of a Brownian disk does not hit the boundary. It follows that we can recover the distance between two such points from the information given by distances in the object with glued boundary, and this is basically what we need to identify Δ with the Brownian disk metric.

The present article is organized as follows. Section 2 is devoted to some preliminaries about the Gromov-Hausdorff-Prokhorov convergence for pointed measure metric spaces. Section 3 recalls the convergence to the Brownian map for rescaled planar quadrangulations. For our purposes, it is convenient to define the Brownian snake excursion measure within the framework of snake trajectories, which was first discussed in [2]. In particular, we explain how to associate a measure metric space with a snake trajectory in a deterministic setting (Section 3.3). After recalling the classical theorem of convergence to the Brownian map for quadrangulations with a fixed size, in a form suitable for our applications, we derive the similar result for Boltzmann quadrangulations (with a random size), with convergence to the free Brownian map under a particular conditioning (Corollary 8).

In Section 4, we discuss quadrangulations with a boundary and Brownian disks. We recall from [10] the main result of convergence of rescaled quadrangulations with a boundary to the free Brownian disk, again in a slightly more precise form in view of our applications. We also explain why this statement implies a similar convergence result for quadrangulations and Brownian disks with glued boundary. Section 5 is devoted to some preliminary results about the Brownian snake truncated at a level of the form $W_* + \delta$. We also recall from [2] the definition of the positive excursion measure \mathbb{N}_0^* and its re-rooting representation in terms of truncated snakes (Theorem

14), which plays an important role in some of the subsequent proofs.

The goal of Section 6 is to prove the already mentioned convergence of the (rescaled) perimeter of the lazy hull of radius $\delta\sqrt{n}$ in a Boltzmann quadrangulation conditioned on the event $d_{\text{gr}}(\rho, \xi) > \delta\sqrt{n}$. To verify that this convergence holds jointly with the convergence in distribution to the free Brownian map, which is crucial for our purposes, we rely on previous results [20] about the convergence of the perimeter and volume of hulls in large random planar maps.

The main objective of Section 7 is to prove Theorem 22, which identifies the free Brownian disk with glued boundary (of perimeter z) to the random metric space constructed under $\mathbb{N}_0^{*,z}$ from the pseudo-metric D defined in (2). The general idea of the argument is the one presented in the preceding lines, but a few technicalities are needed. The goal of Section 8 is then to prove the first assertion of Theorem 1, namely the fact that the pseudo-metric Δ has a continuous extension to the boundary. The other assertions of Theorem 1 are proved in Section 9.

Section 10 investigates the uniform measure on the boundary and proves Proposition 2 in a more precise form. Here we rely on an approximation result for the exit local time of the Brownian snake (Proposition 34). Roughly speaking, this approximation result provides the needed asymptotics under \mathbb{N}_0^* for the measure of the set of times where $\widehat{W}_s < \varepsilon$, which corresponds to the quantity $\int \mathbf{V}(dx) \mathbf{1}_{\{\Delta(x, \partial\Theta) < \varepsilon\}}$ in our representation of the Brownian disk.

Section 11 proves that the connected components of the complement of the Brownian net are independent Brownian disks (Theorem 38). Here we rely on results of [36] showing that these connected components are in one-to-one correspondence with excursions of the Brownian snake above its minimum, as defined in [2]. Since it is shown in [2] that the latter excursions are independent and distributed according to (conditional versions of) the measure \mathbb{N}_0^* , the proof boils down to verifying that the intrinsic metric on each component coincides with the metric on the Brownian disk associated with the corresponding excursion. The idea of the proof of Theorem 3 in Section 12 is similar, using now results of [2] for Brownian snake excursions above 0. There are however additional technical difficulties because Theorem 3 is concerned with the measure $\mathbb{N}_0^{(1)}$ (that is, we consider the standard Brownian map instead of the free Brownian map under \mathbb{N}_0), and we really want to consider Brownian snake excursions above the random level $W_* + r$ rather than above 0. A key idea to circumvent this last difficulty is to use the invariance of $\mathbb{N}_0^{(1)}$ under re-rooting (formula (14) in Section 3.4).

Finally, the appendices give the proofs of two technical results.

Contents

1	Introduction	1
2	Preliminaries on Gromov-Hausdorff-Prokhorov convergence	10
2.1	Gromov-Hausdorff-Prokhorov convergence and correspondences	10
2.2	Measure metric spaces equipped with a uniformly distributed infinite sequence	12
3	Convergence of rescaled quadrangulations	13
3.1	Quadrangulations and Schaeffer's bijection	13
3.2	Snake trajectories and the Brownian snake	14
3.3	Constructing a measure metric space from a snake trajectory	16
3.4	Brownian snake excursion measures	18
3.5	The definition of the Brownian map	19
3.6	Convergence to the Brownian map	19

3.7	Convergence of Boltzmann quadrangulations	21
4	Quadrangulations with a boundary and Brownian disks	24
4.1	Quadrangulations with a boundary	24
4.2	Free Brownian disks	25
4.3	Brownian disks with glued boundary	27
4.4	Convergence to the free Brownian disk	27
5	Some results about the Brownian snake	31
5.1	The Brownian snake truncated at $W_* + \delta$	31
5.2	The positive excursion measure	34
6	The lazy hull process	36
6.1	Gluing a quadrangulation with a general boundary in a face with a simple boundary	36
6.2	The lazy peeling	36
6.3	Peeling by layers	40
6.4	Asymptotics for the perimeter and volume of hulls	42
6.5	Asymptotics for Boltzmann quadrangulations	46
7	Convergence of quadrangulations with glued boundary	49
8	Construction of the metric under \mathbb{N}_0^*	57
9	Identification of the Brownian disk	63
10	The uniform measure on the boundary	65
11	Brownian disks filling in the holes of the Brownian net	68
12	Brownian disks in the Brownian map	70

Main notation

$d_{GHP}^{(k)}$	Gromov-Hausdorff-Prokhorov distance on k -pointed measure metric spaces (Sect. 2)
$\mathbb{M}(\mathbb{M}^{k\bullet})$	space of all (k -pointed) measure metric spaces (Sect. 2)
\mathbb{Q}_n	set of all rooted planar quadrangulations with n faces (Sect. 3.1)
ρ	root vertex of $q \in \mathbb{Q}_n$ (Sect. 3.1)
$V(q)$	vertex set of $q \in \mathbb{Q}_n$ (Sect. 3.1)
d_{gr}	graph distance on $V(q)$ (Sect. 3.1)
μ	counting measure on $V(q)$ (Sect. 3.1)
\mathbb{Q}_n^\bullet	set of all rooted and pointed planar quadrangulations with n faces (Sect. 3.6)
ξ	distinguished vertex of $q \in \mathbb{Q}_n^\bullet$ (Sect. 3.6)
$\mathbb{Q}^{\partial,k}$ ($\mathbb{Q}_n^{\partial,k}$)	set of all pointed quadrangulations with a boundary of size $2k$ (Sect. 4.1)
$(C_k^q)_{0 \leq k \leq 2n}$	contour function of $q \in \mathbb{Q}_n$ (Sect. 3.1)
$(L_k^q)_{0 \leq k \leq 2n}$	label function of $q \in \mathbb{Q}_n$ (Sect. 3.1)
Q	Boltzmann (rooted and pointed) planar quadrangulation (Sect. 3.7)
$B_{(k)}$	Boltzmann quadrangulation with a boundary of size $2k$ (Sect. 4.1)
$(B_{(k)}^\dagger, d_{gr}^\dagger)$	Boltzmann quadrangulation with “glued” boundary of size $2k$ (Sect. 4.4)

\mathcal{W}	space of all one-dimensional stopped paths $w = (w(t))_{0 \leq t \leq \zeta(w)}$ (Sect. 3.2)
$\widehat{w} = w(\zeta(w))$	terminal point of $w \in \mathcal{W}$ (Sect. 3.2)
$\tau_b(w)$	$= \inf\{t \geq 0 : w(t) = b\}$ (Sect. 3.2)
\underline{w}	minimal value of $w \in \mathcal{W}$ (Sect. 3.2)
\mathcal{S}	space of all snake trajectories (Sect. 3.2)
$\sigma(\omega)$	duration of a snake trajectory $\omega \in \mathcal{S}$ (Sect. 3.2)
$(W_s)_{s \geq 0}, (\zeta_s)_{s \geq 0}$	canonical process and lifetime process ($\zeta_s = \zeta_{(W_s)}$) on \mathcal{S} (Sect. 3.2)
\mathcal{T}_ζ	genealogical tree of a snake trajectory (tree coded by $(\zeta_s)_{s \geq 0}$) (Sect. 3.2)
d_ζ	metric on \mathcal{T}_ζ (Sect. 3.2)
p_ζ	canonical projection from $[0, \sigma]$ onto \mathcal{T}_ζ (Sect. 3.2)
Z_a	labels on the tree \mathcal{T}_ζ (Sect. 3.2)
$D(a, b)$	(and $D^\circ(a, b)$) metric on \mathcal{T}_ζ defined using labels (Sect. 3.2)
$\omega^{[s]}$	snake trajectory ω re-rooted at $s \in [0, \sigma(\omega)]$ (Sect. 3.2)
$\text{tr}_y(\omega)$	snake trajectory ω truncated at y (Sect. 3.2)
$(\mathcal{M}, D, \mathbf{v})$	measure metric space associated with a snake trajectory (Sect. 3.3)
Π	canonical projection from \mathcal{T}_ζ onto \mathcal{M} (Sect. 3.3)
$\mathcal{L}, \mathcal{L}^\bullet, \mathcal{L}^{\bullet\bullet}$	mappings from snake trajectories to measure metric spaces (Sect. 3.3)
$\mathbb{N}_x, \mathbb{N}_x^{(s)}$	Brownian snake excursion measures (Sect. 3.4)
$\mathbb{N}_x^{[y]}$	for $x > y$, \mathbb{N}_x conditioned on $\{W_* < y\}$ (Sect. 5.1, 8)
W_*, W^*	minimal and maximal values of \widehat{W}_s , $0 \leq s \leq \sigma$ (Sect. 3.4)
s_*, a_*	s_* time of the minimum of $s \mapsto \widehat{W}_s$, $a_* = p_\zeta(s_*)$ (Sect. 3.4, 3.5)
x_*, x_0	$x_* = \Pi(a_*)$, $x_0 = \Pi(p_\zeta(0))$ (Sect. 3.5)
$(\ell_s^b)_{s \geq 0}$	exit local time from (b, ∞) under \mathbb{N}_x , $x > b$ (Sect. 5.1)
\mathcal{Z}_b	exit measure from (b, ∞) under \mathbb{N}_x , $x > b$ (Sect. 5.1)
\mathbb{N}_0^*	positive excursion measure of the Brownian snake (Sect. 5.2)
\mathcal{Z}_0^*	exit measure at 0 under \mathbb{N}_0^* (Sect. 5.2)
$\mathbb{N}_0^{*,z}$	\mathbb{N}_0^* conditioned on $\{\mathcal{Z}_0^* = z\}$ (Sect. 5.2)
$(\mathbb{D}_r^\bullet, D^\partial, \mathbf{v}_r^\bullet)$	free pointed Brownian disk with perimeter r (Sect. 4.2)
$\mathbb{F}_r (\mathbb{F}_r^\bullet)$	distribution of the free (pointed) Brownian disk with perimeter r (Sect. 4.2)
$(\mathbb{D}_r^{\bullet,\dagger}, D^{\partial,\dagger}, \mathbf{v}_r^{\bullet,\dagger})$	free pointed Brownian disk with glued boundary and perimeter r (Sect. 4.3)
$\mathbb{F}_r^\dagger (\mathbb{F}_r^{\bullet,\dagger})$	distribution of the free (pointed) Brownian disk with glued boundary (Sect. 4.3)
$\mathcal{Q}_1, \dots, \mathcal{Q}_\Xi$	sequence of lazy hulls of Q (Sect. 6.3)
$Q^{(\infty)}$	UIPQ (uniform infinite planar quadrangulation) (Sect. 6.2)
$H_i, V_i, H_i^{(\infty)}, V_i^{(\infty)}$	half-perimeter and volume of the lazy hull of radius i of Q or $Q^{(\infty)}$ (Sect. 6.4)
S_k^\downarrow or S_k^\uparrow	half-perimeter in the peeling algorithm of Q or $Q^{(\infty)}$ (Sect. 6.4)
Q_n	quadrangulation “filling in” the lazy hull of Q of radius $\lfloor \delta\sqrt{n} \rfloor$ (Sect. 7)
$\Delta(a, b)$	(and $\Delta^\circ(a, b)$) Brownian disk metric under $\mathbb{N}_r^{[0]}$ or under \mathbb{N}_0^* (Sect. 8)
$(\Theta, \Delta, \mathbf{V})$	Brownian disk constructed under \mathbb{N}_0^* (Sect. 8, 9)

2 Preliminaries on Gromov-Hausdorff-Prokhorov convergence

2.1 Gromov-Hausdorff-Prokhorov convergence and correspondences

A (compact) measure metric space is a compact metric space (X, d) equipped with a Borel finite measure μ . We write \mathbb{M} for the set of all measure metric spaces, where two such spaces (X, d, μ) and (X', d', μ') are identified if there exists an isometry ϕ from X onto X' such that $\phi_*\mu = \mu'$.

The Gromov-Hausdorff-Prokhorov distance on \mathbb{M} is then defined by

$$d_{\text{GHP}}^{(0)}((X, d, \mu), (X', d', \mu')) = \inf_{\phi: X \rightarrow E, \phi': X' \rightarrow E} \left\{ d_{\text{H}}^E(\phi(X), \phi'(X')) \vee d_{\text{P}}^E(\phi_*\mu, \phi'_*\mu') \right\},$$

where the infimum is over all isometric embeddings ϕ and ϕ' of X and X' into a compact metric space (E, d^E) , d_{H}^E stands for the Hausdorff distance between compact subsets of E and d_{P}^E is the Prokhorov distance on the space of finite measures on E . Writing C^ε for the (closed) ε -enlargement of a closed subset C of E ,

$$d_{\text{P}}^E(\nu, \nu') = \inf\{\varepsilon > 0 : \nu(C) \leq \nu'(C^\varepsilon) + \varepsilon \text{ and } \nu'(C) \leq \nu(C^\varepsilon) + \varepsilon \text{ for every closed subset } C \text{ of } E\}.$$

According to [3, Theorem 2.5], $d_{\text{GHP}}^{(0)}$ defines a metric on \mathbb{M} , and $(\mathbb{M}, d_{\text{GHP}}^{(0)})$ is a Polish space.

We will need to consider k -pointed measure metric spaces, for every integer $k \geq 0$. A k -pointed measure metric space is a measure metric space equipped with k distinguished points ρ_1, \dots, ρ_k (the order of these points is important). We write $\mathbb{M}^{k\bullet}$ for the space of all (equivalence classes of) k -pointed measure metric spaces. We can similarly define the Gromov-Hausdorff-Prokhorov distance on $\mathbb{M}^{k\bullet}$ by

$$\begin{aligned} d_{\text{GHP}}^{(k)}((X, d, \mu, (\rho_1, \dots, \rho_k)), (X', d', \mu', (\rho'_1, \dots, \rho'_k))) \\ = \inf_{\phi: X \rightarrow E, \phi': X' \rightarrow E} \left\{ d_{\text{H}}^E(\phi(X), \phi'(X')) \vee d_{\text{P}}^E(\phi_*\mu, \phi'_*\mu') \vee \max_{1 \leq i \leq k} d^E(\phi(\rho_i), \phi'(\rho'_i)) \right\}, \end{aligned}$$

where, as previously, the infimum is over all isometric embeddings ϕ and ϕ' of X and X' into a compact metric space (E, d^E) . Again, using the same arguments as in [3], one verifies that $(\mathbb{M}^{k\bullet}, d_{\text{GHP}}^{(k)})$ is a Polish space.

It will be convenient to have a bound on the Gromov-Hausdorff-Prokhorov distance in terms of correspondences. We consider two k -pointed measure metric spaces $(X, d, \mu, (\rho_1, \dots, \rho_k))$ and $(X', d', \mu', (\rho'_1, \dots, \rho'_k))$, and write π , resp. π' , for the canonical projection from $X \times X'$ onto X , resp. onto X' . Recall that a correspondence between X and X' is a subset \mathcal{R} of $X \times X'$ such that $\pi(\mathcal{R}) = X$ and $\pi'(\mathcal{R}) = X'$. The distortion of the correspondence \mathcal{R} is

$$\text{dis}(\mathcal{R}) := \sup\{|d(x, y) - d'(x', y')| : (x, x') \in \mathcal{R}, (y, y') \in \mathcal{R}\}.$$

Lemma 4. *Let $\varepsilon > 0$ and suppose that there is a correspondence \mathcal{R} between X and X' with distortion bounded above by ε , such that $(\rho_i, \rho'_i) \in \mathcal{R}$ for every $1 \leq i \leq k$, and a finite measure ν on the product $X \times X'$ such that $\nu(\mathcal{R}^c) < \varepsilon$ and*

$$d_{\text{P}}^X(\pi_*\nu, \mu) < \varepsilon, \quad d_{\text{P}}^{X'}(\pi'_*\nu, \mu') < \varepsilon.$$

Then $d_{\text{GHP}}^{(k)}((X, d, \mu), (X', d', \mu')) \leq 3\varepsilon$.

Proof. Let us only sketch the proof (see [42, Section 6] for very similar arguments). We equip the disjoint union $X \sqcup X'$ with the metric $\delta(\cdot, \cdot)$ such that the restriction of δ to $X \times X$ is d and the restriction of δ to $X' \times X'$ is d' , and for every $(x, x') \in X \times X'$,

$$\delta(x, x') = \inf\{d(x, y) + \varepsilon + d(y', x') : (y, y') \in \mathcal{R}\}.$$

We note that $\delta(x, x') = \varepsilon$ if $(x, x') \in \mathcal{R}$. We then apply the definition of $d_{\text{GHP}}^{(k)}$, letting ϕ , respectively ϕ' , be the identity mapping from X , respectively X' , into $E := X \sqcup X'$, which is equipped with $d^E = \delta$. It is clear that $d_{\text{H}}^E(\phi(X), \phi'(X')) \leq \varepsilon$ and $d^E(\phi(\rho_i), \phi'(\rho'_i)) = \varepsilon$ for every

$1 \leq i \leq k$. So we need only check that $d_{\mathbb{P}}^E(\phi_*\mu, \phi'_*\mu') \leq 3\varepsilon$. To this end, we note that we can view $\pi_*\nu$ and $\pi'_*\nu$ as measures on E , and that our assumption gives $d_{\mathbb{P}}^E(\phi_*\mu, \pi_*\nu) < \varepsilon$ and $d_{\mathbb{P}}^E(\phi'_*\mu, \pi'_*\nu) < \varepsilon$, so that it suffices to verify that $d_{\mathbb{P}}^E(\pi_*\nu, \pi'_*\nu) \leq \varepsilon$.

Let \mathbf{C} be a closed subset of E and $C = \mathbf{C} \cap X$. As previously, we write \mathbf{C}^ε , resp. C^ε , for the ε -enlargement of \mathbf{C} , resp. of C , in E . Then $\pi_*\nu(\mathbf{C}) = \pi_*\nu(C) = \nu(C \times X') \leq \nu((C \times X') \cap \mathcal{R}) + \varepsilon$. However, if $(x, x') \in (C \times X') \cap \mathcal{R}$, the fact that $\delta(x, x') = \varepsilon$ shows that $x' \in C^\varepsilon$, and thus $(x, x') \in X \times (C^\varepsilon \cap X')$. It follows that $\nu((C \times X') \cap \mathcal{R}) \leq \nu(X \times (C^\varepsilon \cap X')) = \pi'_*\nu(C^\varepsilon \cap X')$. We have thus obtained $\pi_*\nu(\mathbf{C}) \leq \pi'_*\nu(C^\varepsilon \cap X') + \varepsilon \leq \pi'_*\nu(\mathbf{C}^\varepsilon) + \varepsilon$. The same argument gives $\pi'_*\nu(\mathbf{C}) \leq \pi_*\nu(\mathbf{C}^\varepsilon) + \varepsilon$, and we conclude that $d_{\mathbb{P}}^E(\pi_*\nu, \pi'_*\nu) \leq \varepsilon$ as desired. \square

We note that $\mathbb{M}^{0\bullet} = \mathbb{M}$ and in what follows, we write \mathbb{M}^\bullet instead of $\mathbb{M}^{1\bullet}$ and $\mathbb{M}^{\bullet\bullet}$ instead of $\mathbb{M}^{2\bullet}$.

2.2 Measure metric spaces equipped with a uniformly distributed infinite sequence

Let $\mathbb{M}^{\infty\bullet}$ be the set of all (equivalence classes modulo measure-preserving isometries of) measure metric spaces (X, d, μ) equipped with a sequence $(x_n)_{n \geq 1}$ of points of X . For every $k \geq 0$, there is an obvious projection \mathbf{P}_k from $\mathbb{M}^{\infty\bullet}$ onto $\mathbb{M}^{k\bullet}$. We equip $\mathbb{M}^{\infty\bullet}$ with the smallest σ -field for which all projections \mathbf{P}_k are measurable. Note that a mapping φ with values in $\mathbb{M}^{\infty\bullet}$ is then measurable if and only if all mappings $\mathbf{P}_k \circ \varphi$ are measurable.

Let $(X, d, \mu) \in \mathbb{M}$, with $\mu \neq 0$. Consider a sequence $(U_n)_{n \geq 1}$ of i.i.d. random variables with values in X whose common distribution is $\mu/\mu(X)$. Then, $(X, d, \mu, (U_n)_{n \geq 1})$ is a random variable with values in $\mathbb{M}^{\infty\bullet}$, and we write $\mathbf{Q}((X, d, \mu), \cdot)$ for its distribution. By adapting the arguments in [42, Lemma 13], one obtains that the mapping $(X, d, \mu) \mapsto \mathbf{Q}((X, d, \mu), A)$ is measurable whenever A is of the form $\mathbf{P}_k^{-1}(B)$ for some measurable subset B of $\mathbb{M}^{k\bullet}$. By standard monotone class arguments, the same mapping is measurable whenever A is a measurable subset of $\mathbb{M}^{\infty\bullet}$. Hence $\mathbf{Q}(\cdot, \cdot)$ defines a kernel from $\{(X, d, \mu) \in \mathbb{M} : \mu \neq 0\}$ to $\mathbb{M}^{\infty\bullet}$.

Suppose now that $(\mathcal{X}, \mathcal{D}, \theta)$ is a random variable with values in \mathbb{M} , with $\theta \neq 0$ a.s. We can then consider a random variable $(\mathcal{X}, \mathcal{D}, \theta, (V_n)_{n \geq 1})$ with values in $\mathbb{M}^{\infty\bullet}$ such that, conditionally on $(\mathcal{X}, \mathcal{D}, \theta)$, $(\mathcal{X}, \mathcal{D}, \theta, (V_n)_{n \geq 1})$ is distributed according to $\mathbf{Q}((\mathcal{X}, \mathcal{D}, \theta), \cdot)$. In this way, we can make sense of choosing a sequence of independent uniformly distributed points in a random metric measure space.

Lemma 5. *Let $(\mathcal{X}, \mathcal{D}, \theta)$ be a random variable with values in \mathbb{M} , such that the topological support of θ is a.s. equal to \mathcal{X} , and let $(V_n)_{n \geq 1}$ be a sequence of independent uniformly distributed points in \mathcal{X} . Then the random measure metric spaces*

$$\left(\{V_1, V_2, \dots, V_n\}, \mathcal{D}, \frac{1}{n} \sum_{i=1}^n \delta_{V_i} \right)$$

converge to $(\mathcal{X}, \mathcal{D}, \theta/\theta(\mathcal{X}))$ a.s. in \mathbb{M} as $n \rightarrow \infty$.

Proof. It is enough to verify the convergence when $(\mathcal{X}, \mathcal{D}, \theta) = (X, d, \mu)$ is deterministic and such that μ has full topological support. Then, a.s.

$$\{V_1, V_2, \dots, V_n\} \xrightarrow[n \rightarrow \infty]{} X$$

in the sense of the Hausdorff distance, and

$$\frac{1}{n} \sum_{i=1}^n \delta_{V_i} \xrightarrow{n \rightarrow \infty} \frac{\mu}{\mu(X)},$$

in the sense of weak convergence of probability measures, as an application of the law of large numbers. The desired result follows. \square

3 Convergence of rescaled quadrangulations

3.1 Quadrangulations and Schaeffer's bijection

For every integer $n \geq 1$, we let \mathbb{Q}_n stand for the set of all rooted planar quadrangulations with n faces, and, if $q \in \mathbb{Q}_n$, we write $|q| = n$. We recall that

$$\#\mathbb{Q}_n = \frac{2}{n+2} \cdot 3^n c_n \tag{4}$$

where c_n is the n -th Catalan number. The root vertex (tail of the root edge) of a quadrangulation $q \in \mathbb{Q}_n$ will be denoted by ρ . The graph distance on the vertex set $V(q)$ of q is denoted by d_{gr}^q , or simply d_{gr} if there is no risk of confusion. We will also use the notation μ_q , or simply μ , for the counting measure on $V(q)$.

For every integer $n \geq 1$, Schaeffer's bijection (see [16, Section 3]) is a bijection from \mathbb{Q}_n onto the set \mathbb{T}_n , where \mathbb{T}_n is the set of all well-labeled plane trees with n edges. Here a well-labeled plane tree is a pair $(\tau, (\ell_u)_{u \in V(\tau)})$, where τ is a (rooted) plane tree, with vertex set $V(\tau)$, and $(\ell_u)_{u \in V(\tau)}$ is a collection of integer labels assigned to the vertices of τ , in such a way that labels are positive integers, the root of τ has label 1 and $|\ell_u - \ell_v| \leq 1$ if the vertices u and v of τ are adjacent. It will be convenient to write \emptyset for the root of the tree τ .

Occasionally, we will also use the notion of a labeled plane tree: This is a pair $(\tau, (\ell_u)_{u \in V(\tau)})$ satisfying the same conditions as above, except that we drop the positivity conditions on labels, and the label of the root is 0 instead of 1.

Although we will not need the details of Schaeffer's bijection, we record a few useful facts. Let $q \in \mathbb{Q}_n$, and let $(\tau, (\ell_u)_{u \in V(\tau)})$ be the well-labeled plane tree corresponding to q via Schaeffer's bijection. Then $V(q) \setminus \{\rho\}$ is canonically identified with $V(\tau)$, in such a way that the endpoint of the root edge of q is identified to the root \emptyset of τ . Using this identification we have $d_{\text{gr}}^q(\rho, u) = \ell_u$ for every $u \in V(q) \setminus \{\rho\}$.

Let u and v be two vertices of $V(\tau)$. Let k be the minimal label on the geodesic between u and v in the tree τ . Then any path in q between u and v (now viewed as vertices of q) must visit a vertex with label k . This is the "discrete cactus property", see in particular Proposition 4.3 in [21] in a more general setting. Conversely, it is not hard to construct a path in q between u and v that visits only vertices with labels greater than or equal to $k - 1$ (with the convention that the label of ρ is 0). We leave the proof as an exercise for the reader (observe that two adjacent vertices of $V(\tau)$ are connected by a path of q of length at most 2).

Notice that τ can be viewed as a genealogical tree in a population whose ancestor is the root \emptyset and that the "children" of every individual are ordered. We use the notation $|u|$ for the generation (graph distance from \emptyset in τ) of a vertex $u \in V(\tau)$. The contour sequence of τ is the finite sequence u_0, u_1, \dots, u_{2n} of vertices of τ defined inductively as follows. First $u_0 = \emptyset$ is the root of τ , and then, for every $0 \leq i \leq 2n - 1$, u_{i+1} is either the first child of u_i that does not appear in $\{u_0, \dots, u_i\}$, or, if there is no such child, the parent of u_i . We can then define the

contour function $(C_k^q)_{k \geq 0}$ and the label function $(L_k^q)_{k \geq 0}$ of the well-labeled tree $(\tau, (\ell_u)_{u \in V(\tau)})$ by setting

$$C_k^q = |u_k|, \quad L_k^q = \ell_{u_k}, \quad \text{if } 0 \leq k \leq 2n,$$

and $C_k^q = L_k^q = 0$ if $k > 2n$.

Let $Q_{(n)}$ be distributed uniformly over \mathbb{Q}_n . We recall the following useful estimate. There exist positive constants K_1 and K_2 , which do not depend on n , such that, for every $y > 0$,

$$\mathbb{P}\left(\max_{k \geq 0} L_k^{Q_{(n)}} > y\right) \leq K_1 \exp(-K_2 \frac{y}{n^{1/4}}). \quad (5)$$

Note that the left-hand side in (5) is also equal to

$$\mathbb{P}\left(\max_{u \in V(Q_{(n)})} d_{\text{gr}}^{Q_{(n)}}(\rho, u) > y\right).$$

The bound in (5) then follows from [16, Proposition 4] and the version of Schaeffer's bijection for rooted and pointed quadrangulations (see, for instance, [37, Section 5.4]).

3.2 Snake trajectories and the Brownian snake

It will be convenient to use the formalism of snake trajectories, which has been introduced in [2]. Recall that a (one-dimensional) finite path w is just a continuous mapping $w : [0, \zeta] \rightarrow \mathbb{R}$, where the number $\zeta = \zeta_{(w)}$ is called the lifetime of w . We let \mathcal{W} denote the space of all finite paths. The set \mathcal{W} is a Polish space when equipped with the distance

$$d_{\mathcal{W}}(w, w') = |\zeta_{(w)} - \zeta_{(w')}| + \sup_{t \geq 0} |w(t \wedge \zeta_{(w)}) - w'(t \wedge \zeta_{(w')})|.$$

The endpoint or tip of the path w is denoted by $\widehat{w} = w(\zeta_{(w)})$. For every $x \in \mathbb{R}$, we set $\mathcal{W}_x = \{w \in \mathcal{W} : w(0) = x\}$. The trivial element of \mathcal{W}_x with zero lifetime is identified with the point x — in this way we view \mathbb{R} as the subset of \mathcal{W} consisting of all finite paths with zero lifetime. Occasionally we will use the notation $\underline{w} = \min\{w(t) : 0 \leq t \leq \zeta_{(w)}\}$.

The following definition is taken from [2].

Definition 1. *Let $x \in \mathbb{R}$. A snake trajectory with initial point x is a continuous mapping*

$$\begin{aligned} \omega : \mathbb{R}_+ &\rightarrow \mathcal{W}_x \\ s &\mapsto \omega_s \end{aligned}$$

which satisfies the following two properties:

(i) *We have $\omega_0 = x$ and the number $\sigma(\omega) := \sup\{s \geq 0 : \omega_s \neq x\}$, called the duration of the snake trajectory ω , is finite (by convention $\sigma(\omega) = 0$ if $\{s \geq 0 : \omega_s \neq x\}$ is empty).*

(ii) *For every $0 \leq s \leq s'$, we have*

$$\omega_s(t) = \omega_{s'}(t), \quad \text{for every } 0 \leq t \leq \min_{s \leq r \leq s'} \zeta_{(\omega_r)}.$$

We write \mathcal{S}_x for the set of all snake trajectories with initial point x , and

$$\mathcal{S} := \bigcup_{x \in \mathbb{R}} \mathcal{S}_x$$

for the set of all snake trajectories. If $\omega \in \mathcal{S}$, we write $W_s(\omega) = \omega_s$ and $\zeta_s(\omega) = \zeta_{(\omega_s)}$ for every $s \geq 0$. The set \mathcal{S} is equipped with the distance

$$d_{\mathcal{S}}(\omega, \omega') = |\sigma(\omega) - \sigma(\omega')| + \sup_{s \geq 0} d_{\mathcal{W}}(W_s(\omega), W_{s'}(\omega')).$$

Let $\omega \in \mathcal{S}$ be a snake trajectory and $\sigma = \sigma(\omega)$. The lifetime function $s \mapsto \zeta_s(\omega)$ codes a compact \mathbb{R} -tree, which will be denoted by \mathcal{T}_{ζ} and called the *genealogical tree* of the snake trajectory. This \mathbb{R} -tree is defined rigorously as the quotient space of the interval $[0, \sigma]$ for the equivalence relation

$$s \sim s' \text{ if and only if } \zeta_s = \zeta_{s'} = \min_{s \wedge s' \leq r \leq s \vee s'} \zeta_r,$$

which is equipped with the distance induced by

$$d_{\zeta}(s, s') = \zeta_s + \zeta_{s'} - 2 \min_{s \wedge s' \leq r \leq s \vee s'} \zeta_r.$$

(see e.g. [37, Section 3] for more information about the coding of \mathbb{R} -trees by continuous functions). Let $p_{\zeta} : [0, \sigma] \rightarrow \mathcal{T}_{\zeta}$ stand for the canonical projection. By convention, \mathcal{T}_{ζ} is rooted at $p_{\zeta}(0) = p_{\zeta}(\sigma)$, and the volume measure on \mathcal{T}_{ζ} is defined as the push forward of Lebesgue measure on $[0, \sigma]$ under p_{ζ} . The ancestral line of a vertex a of \mathcal{T}_{ζ} is the line segment connecting a to the root.

We observe that ω is completely determined by the knowledge of the lifetime function $s \mapsto \zeta_s(\omega)$ and of the tip function $s \mapsto \widehat{W}_s(\omega)$ (cf. [2, Proposition 8]). To explain this, we note that, for every $s \in [0, \sigma]$, \widehat{W}_s only depends on $p_{\zeta}(s)$, and the values $W_s(t)$, $0 \leq t \leq \zeta_s$ are recovered from the values of \widehat{W} along the ancestral line of $p_{\zeta}(s)$ in \mathcal{T}_{ζ} .

It will be convenient to use the notation $Z_a(\omega) = \widehat{W}_s(\omega)$ whenever $a \in \mathcal{T}_{\zeta}$ and $s \in [0, \sigma]$ are such that $a = p_{\zeta}(s)$. We interpret Z_a as a “label” assigned to the “vertex” a of \mathcal{T}_{ζ} . Notice that the mapping $a \mapsto Z_a$ is continuous on \mathcal{T}_{ζ} . We also set

$$\begin{aligned} W_*(\omega) &= \min\{\widehat{W}_s(\omega) : 0 \leq s \leq \sigma\} = \min\{Z_a : a \in \mathcal{T}_{\zeta}\}, \\ W^*(\omega) &= \max\{\widehat{W}_s(\omega) : 0 \leq s \leq \sigma\} = \max\{Z_a : a \in \mathcal{T}_{\zeta}\}, \end{aligned}$$

and often refer to $W_*(\omega)$ as the minimal label of ω .

We will need to define *lexicographical* intervals on the tree \mathcal{T}_{ζ} . If $s, t \in [0, \sigma]$ and $s > t$, we abuse notation by writing $[s, t] = [s, \sigma] \cup [0, t]$ (and of course if $s \leq t$, $[s, t]$ is the usual interval). Then, if $a, b \in \mathcal{T}_{\zeta}$, there is a smallest “interval” $[s, t]$ with $s, t \in [0, \sigma]$, such that $p_{\zeta}(s) = a$ and $p_{\zeta}(t) = b$, and we define $[a, b] = p_{\zeta}([s, t])$. We also use the notation $]a, b[= [a, b] \setminus \{a, b\}$.

Let us explain the *re-rooting operation* on snake trajectories of \mathcal{S}_0 (see [38, Section 2.3] and [2, Section 2.2]). Let $\omega \in \mathcal{S}_0$ and $r \in [0, \sigma(\omega)]$. Then $\omega^{[r]}$ is the new snake trajectory in \mathcal{S}_0 such that $\sigma(\omega^{[r]}) = \sigma(\omega)$ and for every $s \in [0, \sigma(\omega)]$,

$$\begin{aligned} \zeta_s(\omega^{[r]}) &= d_{\zeta}(r, r \oplus s), \\ \widehat{W}_s(\omega^{[r]}) &= \widehat{W}_{r \oplus s} - \widehat{W}_r, \end{aligned}$$

where we use the notation $r \oplus s = r + s$ if $r + s \leq \sigma$, and $r \oplus s = r + s - \sigma$ otherwise. It will be convenient to write $\zeta_s^{[r]}(\omega) = \zeta_s(\omega^{[r]})$ and $W_s^{[r]}(\omega) = W_s(\omega^{[r]})$. The tree $\mathcal{T}_{\zeta^{[r]}}$ is then interpreted as the tree \mathcal{T}_{ζ} re-rooted at the vertex $p_{\zeta}(r)$: More precisely, the mapping $s \mapsto r \oplus s$ induces an isometry from $\mathcal{T}_{\zeta^{[r]}}$ onto \mathcal{T}_{ζ} , which maps the root of $\mathcal{T}_{\zeta^{[r]}}$ to $p_{\zeta}(r)$. Furthermore, the vertices of $\mathcal{T}_{\zeta^{[r]}}$ receive the “same” labels as in \mathcal{T}_{ζ} , shifted so that the label of the root is still 0.

The notion of the *truncation* of snake trajectories will also play an important role in this work. Roughly speaking, if $\omega \in \mathcal{S}_x$ and $y < x$, the truncation of ω at y is the new snake trajectory ω' such that the values ω'_s are exactly the values ω_s for all s such that ω_s does not hit y , or hits y for the first time at its lifetime. Let us give a more precise definition. First, for any $w \in \mathcal{W}$ and $y \in \mathbb{R}$, we set

$$\tau_y(w) := \inf\{t \in [0, \zeta(w)] : w(t) = y\}$$

with the usual convention $\inf \emptyset = \infty$. Then, if $x \in \mathbb{R}$ and $y \in (-\infty, x)$, and if $\omega \in \mathcal{S}_x$, we set for every $s \geq 0$,

$$\eta_s(\omega) = \inf\left\{u \geq 0 : \int_0^u dr \mathbf{1}_{\{\zeta(\omega_r) \leq \tau_y(\omega_r)\}} > s\right\}$$

(note that the condition $\zeta(\omega_r) \leq \tau_y(\omega_r)$ holds if and only if $\tau_y(\omega_r) = \infty$ or $\tau_y(\omega_r) = \zeta(\omega_r)$). Then, setting $\omega'_s = \omega_{\eta_s(\omega)}$ for every $s \geq 0$ defines an element of \mathcal{S}_x , which will be denoted by $\omega' = \text{tr}_y(\omega)$ and called the truncation of ω at y . See [2, Proposition 10] for a proof. The genealogical tree of $\text{tr}_y(\omega)$ is canonically and isometrically identified with the closed subset of \mathcal{T}_ζ consisting of all a such that $Z_b(\omega) > y$ for every strict ancestor b of a (we leave the proof as an exercise for the reader). By abuse of notation, we often write $\text{tr}_y(W)$ instead of $\text{tr}_y(\omega)$.

3.3 Constructing a measure metric space from a snake trajectory

Let us fix $\omega \in \mathcal{S}$. Recall the definition of the tree \mathcal{T}_ζ and of lexicographical intervals on that tree. We define, for every $a, b \in \mathcal{T}_\zeta$,

$$D^\circ(a, b) = Z_a + Z_b - 2 \max\left(\min_{c \in [a, b]} Z_c, \min_{c \in [b, a]} Z_c\right). \quad (6)$$

We record two easy but important properties of D° . First, for every $a, b \in \mathcal{T}_\zeta$,

$$D^\circ(a, b) \geq |Z_a - Z_b|. \quad (7)$$

Then, if a_* is such that $Z_{a_*} = W_*$, we have for every $a \in \mathcal{T}_\zeta$,

$$D^\circ(a_*, a) = Z_a - Z_{a_*}. \quad (8)$$

We let $D(a, b)$ be the largest symmetric function of the pair (a, b) that is bounded above by $D^\circ(a, b)$ and satisfies the triangle inequality: For every $a, b \in \mathcal{T}_\zeta$,

$$D(a, b) = \inf\left\{\sum_{i=1}^k D^\circ(a_{i-1}, a_i)\right\}, \quad (9)$$

where the infimum is over all choices of the integer $k \geq 1$ and of the elements a_0, a_1, \dots, a_k of \mathcal{T}_ζ such that $a_0 = a$ and $a_k = b$. Then D is a pseudo-metric on \mathcal{T}_ζ , and we let \mathcal{M} be the associated quotient space (the quotient of \mathcal{T}_ζ for the equivalence relation $a \approx b$ if and only if $D(a, b) = 0$) equipped with the distance induced by D , for which we keep the same notation. Then (\mathcal{M}, D) is a compact metric space. If Π denotes the canonical projection from \mathcal{T}_ζ onto \mathcal{M} , we define the volume measure \mathbf{v} on \mathcal{M} as the push forward of the volume measure on \mathcal{T}_ζ under Π . We can therefore view $(\mathcal{M}, D, \mathbf{v})$ as a measure metric space. There are two distinguished points in \mathcal{M} . One of them is $\Pi(p_\zeta(0))$ (that is, the image under the projection Π of the root of \mathcal{T}_ζ). The other one is $\Pi(a_*)$, where a_* denotes any vertex of \mathcal{T}_ζ such that $Z_{a_*} = W_*$ (the

existence of such a vertex is immediate by a compactness argument, and conversely, if a, a' are two vertices of \mathcal{T}_ζ such that $Z_a = Z_{a'} = W_*$, we have $D^\circ(a, a') = 0$ and therefore $D(a, a') = 0$, so that $\Pi(a) = \Pi(a')$.

Note that, as a consequence of (7) and (8), we have $D(a_*, a) = Z_a - W_*$ for every $a \in \mathcal{T}_\zeta$.

The preceding construction obviously depends on the choice of ω . We claim that it does so in a measurable way.

Lemma 6. *The mappings*

$$\begin{aligned}\mathcal{L} &: \omega \mapsto (\mathcal{M}, D, \mathbf{v}) \\ \mathcal{L}^\bullet &: \omega \mapsto (\mathcal{M}, D, \mathbf{v}, \Pi(a_*)) \\ \mathcal{L}^{\bullet\bullet} &: \omega \mapsto (\mathcal{M}, D, \mathbf{v}, \Pi(a_*), \Pi(p_\zeta(0)))\end{aligned}$$

from \mathcal{S} into $\mathbb{M}, \mathbb{M}^\bullet, \mathbb{M}^{\bullet\bullet}$ respectively, are measurable.

Proof. Let us explain the argument for the mapping $\mathcal{L} : \omega \mapsto (\mathcal{M}, D, \mathbf{v})$. It is convenient to introduce the space \mathcal{D} of all continuous pseudo-metrics on a compact interval of the form $[0, \sigma]$. In other words, a mapping $d : [0, \sigma_d]^2 \rightarrow \mathbb{R}_+$ (where $\sigma_d \geq 0$) belongs to \mathcal{D} if it is continuous and symmetric, vanishes on the diagonal and satisfies the triangle inequality. We equip \mathcal{D} with the distance

$$\delta(d_1, d_2) = \left(\sup_{s, t \geq 0} |d_1(s \wedge \sigma_{d_1}, t \wedge \sigma_{d_1}) - d_2(s \wedge \sigma_{d_2}, t \wedge \sigma_{d_2})| \right) + |\sigma_{d_1} - \sigma_{d_2}|,$$

and with the associated Borel σ -field.

Then we first notice that the mapping from \mathcal{S} into \mathcal{D} defined by

$$\mathcal{S} \ni \omega \mapsto \left([0, \sigma]^2 \ni (s, t) \mapsto D(p_\zeta(s), p_\zeta(t)) \right) \quad (10)$$

is measurable. We leave the proof as an exercise for the reader.

We can then define a mapping from \mathcal{D} into \mathbb{M} in the following way. If $d \in \mathcal{D}$, we consider the associated equivalence relation \sim_d on $[0, \sigma_d]$ ($s \sim_d t$ if and only if $d(s, t) = 0$) and denote the associated quotient space $[0, \sigma_d] / \sim_d$ by M_d . This space is equipped with the metric induced by d (still denoted by d) and with the volume measure \mathbf{v}_d which is the push forward of Lebesgue measure under the canonical projection $p_d : [0, \sigma_d] \rightarrow M_d$. Then the mapping $\omega \mapsto (\mathcal{M}, D, \mathbf{v})$ is the composition of the mapping $d \mapsto (M_d, d, \mathbf{v}_d)$ with the (measurable) mapping in (10).

So, to get the desired measurability property, we only have to verify that the mapping $d \mapsto (M_d, d, \mathbf{v}_d)$ is measurable from \mathcal{D} into \mathbb{M} . In fact, we prove that this mapping is continuous.

To this end, let $(d_n)_{n \geq 1}$ be a sequence in \mathcal{D} such that d_n converges to d in \mathcal{D} . For every $n \geq 1$, we define a correspondence \mathcal{C}_n between M_{d_n} and M_d by declaring that a pair (x_n, x) belongs to \mathcal{C}_n if and only if there exists $t \geq 0$ such that $x_n = p_{d_n}(t \wedge \sigma_{d_n})$ and $x = p_d(t \wedge \sigma_d)$. Then the distortion of \mathcal{C}_n is bounded above by

$$\sup_{s, t \geq 0} |d_n(s \wedge \sigma_{d_n}, t \wedge \sigma_{d_n}) - d(s \wedge \sigma_d, t \wedge \sigma_d)| \leq \delta(d_n, d).$$

We can then apply Lemma 4 (in the case $k = 0$) to the correspondence \mathcal{C}_n and to the measure ν_n on $M_{d_n} \times M_d$ defined as the push forward of Lebesgue measure on $[0, \sigma_{d_n} \wedge \sigma_d]$ under the mapping $t \mapsto (p_{d_n}(t), p_d(t))$. It follows that $(M_{d_n}, d_n, \mathbf{v}_{d_n})$ converges to (M_d, d, \mathbf{v}_d) in \mathbb{M} as desired. \square

Remark. The measure metric space $(\mathcal{M}, D, \mathbf{v})$ and the pointed space $(\mathcal{M}, D, \mathbf{v}, \Pi(a_*))$ do not change if ω is replaced by the re-rooted snake trajectory $\omega^{[r]}$ for some $r \in [0, \sigma]$. To explain this, recall that the mapping $s \mapsto r \oplus s$ induces an isometry \mathcal{I} from $\mathcal{T}_{\zeta^{[r]}}$ onto \mathcal{T}_ζ , and that $Z_a(\omega^{[r]}) = Z_{\mathcal{I}(a)}(\omega) - \widehat{W}_r(\omega)$ for every $a \in \mathcal{T}_{\zeta^{[r]}}$, by construction. The isometry \mathcal{I} preserves intervals, in the sense that $\mathcal{I}([a, b]) = [\mathcal{I}(a), \mathcal{I}(b)]$ for every $a, b \in \mathcal{T}_{\zeta^{[r]}}$. It follows that we have also $D_{\omega^{[r]}}(a, b) = D_\omega(\mathcal{I}(a), \mathcal{I}(b))$ for every $a, b \in \mathcal{T}_{\zeta^{[r]}}$ (with the obvious notation $D_{\omega^{[r]}}, D_\omega$). Furthermore, if a is a vertex of $\mathcal{T}_{\zeta^{[r]}}$ with minimal label, the same is true for $\mathcal{I}(a)$ in \mathcal{T}_ζ . The first two mappings in Lemma 6 (but not the third one) are thus invariant under the re-rooting operation.

3.4 Brownian snake excursion measures

We now define excursion measures of the Brownian snake, which are (σ -finite) measures on \mathcal{S} that play a fundamental role in this work. For every $x \in \mathbb{R}$, we define \mathbb{N}_x as the σ -finite measure on \mathcal{S}_x that satisfies the following two properties: Under \mathbb{N}_x ,

- (i) the distribution of the lifetime function $(\zeta_s)_{s \geq 0}$ is the Itô measure of positive excursions of linear Brownian motion, normalized so that, for every $\varepsilon > 0$,

$$\mathbb{N}_x \left(\sup_{s \geq 0} \zeta_s > \varepsilon \right) = \frac{1}{2\varepsilon};$$

- (ii) conditionally on $(\zeta_s)_{s \geq 0}$, the tip function $(\widehat{W}_s)_{s \geq 0}$ is a Gaussian process with mean x and covariance function

$$K(s, s') = \min_{s \wedge s' \leq r \leq s \vee s'} \zeta_r.$$

Notice that the quantity σ (in part (i) of Definition 1) corresponds under \mathbb{N}_x to the duration of the excursion $(\zeta_s)_{s \geq 0}$. Under the normalization in (i), we have for every $s > 0$,

$$\mathbb{N}_x(\sigma > s) = \frac{1}{\sqrt{2\pi s}}. \quad (11)$$

We refer to [50, Chapter XII] for more information about the Itô excursion measure, and to [30] for a detailed study of the Brownian snake (our presentation using snake trajectories is slightly different from the one in [30]).

We will use the formula

$$\mathbb{N}_x(W_* < y) = \frac{3}{2(x-y)^2}, \quad \text{for every } y \in (-\infty, x). \quad (12)$$

See [30, Chapter 6] for a proof.

Let us take $x = 0$. For every $r > 0$, we define the probability measure $\mathbb{N}_0^{(r)} := \mathbb{N}_0(\cdot \mid \sigma = r)$, which can be characterized by properties exactly similar to (i) and (ii) above, with the only difference that in (i) the Itô measure is replaced by the law of a positive Brownian excursion conditioned to have duration r . From (11), we have

$$\mathbb{N}_0 = \int_0^\infty \frac{ds}{2\sqrt{2\pi s^3}} \mathbb{N}_0^{(s)}. \quad (13)$$

One can prove (see e.g. [38]) that \mathbb{N}_0 a.e. or $\mathbb{N}_0^{(r)}$ a.s. there is a unique time s_* in $[0, \sigma]$ such that $\widehat{W}_{s_*} = W_*$. We may consider the snake trajectory W re-rooted at s_* , which is denoted by $W^{[s_*]}$ in Section 3.2. The distribution of $W^{[s_*]}$ under $\mathbb{N}_0^{(r)}$ can be interpreted as $\mathbb{N}_0^{(r)}$ conditioned on the event that $\widehat{W}_s \geq 0$ for every s (see [38]).

Let us recall the invariance property of the measures $\mathbb{N}_0^{(r)}$ under re-rooting. For any $r > 0$, and any nonnegative measurable function G on \mathcal{S}_0 , for every $s \in [0, r]$,

$$\mathbb{N}_0^{(r)}(G(W^{[s]})) = \mathbb{N}_0^{(r)}(G(W)). \quad (14)$$

See formula (3) in [38] (this result is initially due to [40]).

We will use the fact that, under $\mathbb{N}_0^{(r)}$, s_* is uniformly distributed over $[0, r]$ and independent of the snake trajectory $W^{[s_*]}$ (see [38], noting that both these properties follow from the invariance of $\mathbb{N}_0^{(r)}$ under re-rooting).

3.5 The definition of the Brownian map

The (standard) Brownian map is the (random) measure metric space $(\mathcal{M}, D, \mathbf{v})$ constructed as in Section 3.3 from a random snake trajectory distributed according to $\mathbb{N}_0^{(1)}$. In what follows, we will view $(\mathcal{M}, D, \mathbf{v})$ as a 2-pointed space, where the distinguished points are $\Pi(a_*)$ and $\Pi(p_\zeta(0))$ in this order, as in the third mapping of Lemma 6 — here $a_* = p_\zeta(s_*)$ in agreement with the notation of Section 3.3. We will often write $x_* = \Pi(a_*)$ and $x_0 = \Pi(p_\zeta(0))$ for the two distinguished points of \mathcal{M} . Notice that Lemma 6 is used to make sense of the Brownian map as a random variable with values in $\mathbb{M}^{\bullet\bullet}$.

We will also be interested in the (2-pointed) space $(\mathcal{M}, D, \mathbf{v})$ under the infinite measure \mathbb{N}_0 and then we speak about the free Brownian map.

A property that plays an important role in the study of the Brownian map is the fact that, \mathbb{N}_0 or $\mathbb{N}_0^{(r)}$ a.e., for every $a, b \in \mathcal{T}_\zeta$, $D(a, b) = 0$ implies that $D^\circ(a, b) = 0$ (the converse is obvious since $D \leq D^\circ$). See [31]. We also mention the “continuous cactus bound” [32, Corollary 3.2]: \mathbb{N}_0 or $\mathbb{N}_0^{(r)}$ a.e., for every $a, b \in \mathcal{T}_\zeta$,

$$D(a, b) \geq Z_a + Z_b - 2 \min_{c \in \llbracket a, b \rrbracket} Z_c, \quad (15)$$

where $\llbracket a, b \rrbracket$ denotes the geodesic segment between a and b in the tree \mathcal{T}_ζ (not to be confused with the lexicographical interval $[a, b]$).

3.6 Convergence to the Brownian map

For every $n \geq 1$, let $Q_{(n)}$ be a uniformly distributed quadrangulation in \mathbb{Q}_n , and write $C^{(n)} = (C_k^{(n)})_{k \geq 0}$ and $L^{(n)} = (L_k^{(n)})_{k \geq 0}$ for the contour and label functions of the well-labeled tree $\tau_{Q_{(n)}}$ associated with $Q_{(n)}$ in Schaeffer’s bijection. A key ingredient of the proof of the convergence to the Brownian map is the convergence in distribution, in the functional sense on the Skorokhod space,

$$\left((2n)^{-1/2} C_{\lfloor 2ns \rfloor}^{(n)}, \sqrt{\frac{3}{2}} (2n)^{-1/4} L_{\lfloor 2ns \rfloor}^{(n)} \right)_{s \geq 0} \xrightarrow[n \rightarrow \infty]{(d)} (\zeta_s^{[s_*]}, \widehat{W}_s^{[s_*]})_{s \geq 0} \quad \text{under } \mathbb{N}_0^{(1)}, \quad (16)$$

where the limit process is the pair consisting of the lifetime function and the tip function of a snake trajectory “re-rooted at the minimum” under $\mathbb{N}_0^{(1)}$. See [31, Theorem 2.5].

In what follows, we will consider quadrangulations that are both rooted and pointed. We let \mathbb{Q}_n^\bullet stand for the set of all rooted and pointed planar quadrangulations with n faces. An element q^\bullet of \mathbb{Q}_n^\bullet thus consists of a rooted quadrangulation $q \in \mathbb{Q}_n$ and a distinguished vertex that we will denote by ξ . Note that $\#\mathbb{Q}_n^\bullet = (n+2)\#\mathbb{Q}_n$.

Suppose now that $Q_{(n)}^\bullet = (Q_{(n)}, \xi_{(n)})$ is uniformly distributed over \mathbb{Q}_n^\bullet , and define $C^{(n)} = (C_k^{(n)})_{k \geq 0}$ and $L^{(n)} = (L_k^{(n)})_{k \geq 0}$ as previously, so that the convergence (16) holds. We can in fact reinforce this convergence as follows. Let $k_{(n)}$ be the first integer $k \geq 0$ such that the term of index k in the contour sequence of $\tau_{Q_{(n)}}$ is equal to $\xi_{(n)}$ (this makes sense unless $\xi_{(n)}$ coincides with the root vertex ρ of $Q_{(n)}$, in which case we take $k_{(n)} = 0$ by convention). Then, we have

$$\left(\left((2n)^{-1/2} C_{[2ns]}^{(n)}, \sqrt{\frac{3}{2}} (2n)^{-1/4} L_{[2ns]}^{(n)} \right)_{s \geq 0}, \frac{1}{2n} k_{(n)} \right) \xrightarrow[n \rightarrow \infty]{(d)} \left((\zeta_s^{[s_*]}, \widehat{W}_s^{[s_*]})_{s \geq 0}, 1 - s_* \right) \quad \text{under } \mathbb{N}_0^{(1)}. \quad (17)$$

Notice that in the above limit, the quantity $1 - s_*$ is uniformly distributed over $[0, 1]$ and independent of $(\zeta_s^{[s_*]}, \widehat{W}_s^{[s_*]})_{s \geq 0}$. Thus we could replace $1 - s_*$ by s_* or by any random variable U uniform over $[0, 1]$ and independent of $(\zeta_s^{[s_*]}, \widehat{W}_s^{[s_*]})_{s \geq 0}$. The point of writing $1 - s_*$ is the fact that the vertex $p_{\zeta^{[s_*]}}(1 - s_*)$ corresponds in the re-rooted tree $\mathcal{T}_{\zeta^{[s_*]}}$ to the root of the tree \mathcal{T}_ζ (recall that the isometry from $\mathcal{T}_{\zeta^{[s_*]}}$ onto \mathcal{T}_ζ is induced by the mapping $r \mapsto s_* \oplus r$).

This fact allows us to deduce the following convergence from (17). For $0 \leq j \leq 2n$, set

$$\begin{aligned} \widetilde{C}_j^{(n)} &= C_{k_n \oplus j}^{(n)} + C_{k_n}^{(n)} - 2 \min_{(k_n \oplus j) \wedge k_n \leq i \leq (k_n \oplus j) \vee k_n} C_i^{(n)} \\ \widetilde{L}_j^{(n)} &= L_{k_n \oplus j}^{(n)} - L_{k_n}^{(n)}, \end{aligned}$$

where, only in this formula, we use the notation $k_n \oplus j = k_n + j$ if $k_n + j \leq 2n$, and $k_n \oplus j = k_n + j - 2n$ if $k_n + j > 2n$. Also take $\widetilde{C}_j^{(n)} = \widetilde{L}_j^{(n)} = 0$ for $j > 2n$. Then (excluding the case $\xi_{(n)} = \rho$), $\widetilde{C}^{(n)}$ and $\widetilde{L}^{(n)}$ are the contour and label functions of the tree $\widetilde{\tau}_{Q_{(n)}^\bullet}$ defined as the tree $\tau_{Q_{(n)}}$ re-rooted at the first corner of $\xi_{(n)}$, with labels shifted so that the label of the root is 0. Noting the equality $(\omega^{[r]})^{[\sigma-r]} = \omega$ for a snake trajectory $\omega \in \mathcal{S}_0$ and $r \in [0, \sigma]$, it is then straightforward to deduce from (17) that we have also the convergence in distribution

$$\left((2n)^{-1/2} \widetilde{C}_{[2ns]}^{(n)}, \sqrt{\frac{3}{2}} (2n)^{-1/4} \widetilde{L}_{[2ns]}^{(n)} \right)_{s \geq 0} \xrightarrow[n \rightarrow \infty]{(d)} (\zeta_s, \widehat{W}_s)_{s \geq 0} \quad \text{under } \mathbb{N}_0^{(1)}. \quad (18)$$

Let us now state the convergence of rescaled quadrangulations to the Brownian map [33, 43].

Theorem 7. *For every $n \geq 1$, let $Q_{(n)}^\bullet = (Q_{(n)}, \xi_{(n)})$ be uniformly distributed over \mathbb{Q}_n^\bullet , let $\mu_{(n)}$ stand for the counting measure on $V(Q_{(n)})$ and view $V(Q_{(n)})$ as a 2-pointed space with distinguished points ρ and $\xi_{(n)}$ in this order. Then,*

$$\left(V(Q_{(n)}), \sqrt{\frac{3}{2}} (2n)^{-1/4} d_{\text{gr}, n^{-1} \mu_{(n)}} \right) \xrightarrow[n \rightarrow \infty]{(d)} (\mathcal{M}, D, \mathbf{v}) \quad \text{under } \mathbb{N}_0^{(1)}, \quad (19)$$

where the convergence holds in distribution in $\mathbb{M}^{\bullet\bullet}$. Furthermore, this convergence holds jointly with (18).

In fact the statement of Theorem 7 is stronger than the formulation in [33, 43] because these papers consider only convergence in the Gromov-Hausdorff sense. In the remaining part of this section, we briefly explain how this stronger form can be derived. We recall the notation Π for

the canonical projection from \mathcal{T}_ζ onto \mathcal{M} and we write $\mathbf{p} = \Pi \circ p_\zeta$ in the following lines. The two distinguished points of \mathcal{M} are thus $x_* = \mathbf{p}(s_*)$ and $x_0 = \mathbf{p}(0)$ in that order.

To begin with, we recall the arguments used to obtain the Gromov-Hausdorff convergence (see [44, Section 4] for a pedagogical presentation). In what follows, we implicitly exclude the case $\xi_{(n)} = \rho$, which occurs with vanishing probability when $n \rightarrow \infty$. Let $(u_0^{(n)}, u_1^{(n)}, \dots, u_{2n}^{(n)})$ be the contour sequence of the tree $\tilde{\tau}_{Q_{(n)}^\bullet}$ (in particular, $u_0^{(n)} = \xi_{(n)}$). Notice that the vertex set $V(Q_{(n)})$ is identified to $V(\tau_{Q_{(n)}}) \cup \{\rho\}$ in Schaeffer's bijection, and that $V(\tilde{\tau}_{Q_{(n)}^\bullet}) = V(\tau_{Q_{(n)}})$. For $0 \leq j \leq 2n - 1$, set $\eta_n(j) = j$ if $\tilde{C}_{j+1}^{(n)} < \tilde{C}_j^{(n)}$ and $\eta_n(j) = j + 1$ if $\tilde{C}_{j+1}^{(n)} > \tilde{C}_j^{(n)}$. The point of introducing η_n is the fact that, for every vertex $u \in V(Q_{(n)}) \setminus \{\rho, \xi_{(n)}\}$ there are exactly two values of j in $\{0, \dots, 2n - 1\}$ such that $u_{\eta_n(j)}^{(n)} = u$. Consider then the correspondence $\mathcal{C}_{(n)}$ between $V(Q_{(n)})$ and \mathcal{M} defined by

$$\mathcal{C}_{(n)} = \{(u_{\eta_n(\lfloor 2nt \rfloor)}^{(n)}, \mathbf{p}(t)) : t \in [0, 1)\} \cup \{(\rho, x_*), (\xi_{(n)}, x_0)\}.$$

By the tightness argument developed in [31], we may assume that, at least along a subsequence of values of n , the sequence

$$\left((9/8)^{1/4} n^{-1/4} d_{\text{gr}}(u_{\lfloor 2ns \rfloor}^{(n)}, u_{\lfloor 2nt \rfloor}^{(n)}) \right)_{s,t \in [0,1]}$$

converges in distribution, jointly with (18), and the uniqueness of the Brownian map [33, 43] ensures that the limiting distribution is that of $(D(\mathbf{p}(s), \mathbf{p}(t)))_{s,t \in [0,1]}$ independently of the chosen subsequence. Using the Skorokhod representation theorem, one can construct the whole sequence $(Q_{(n)}^\bullet)_{n \geq 1}$ so that the convergence (18) holds a.s., and $((9/8)^{1/4} n^{-1/4} d_{\text{gr}}(u_{\lfloor 2ns \rfloor}^{(n)}, u_{\lfloor 2nt \rfloor}^{(n)}))_{s,t \in [0,1]}$ converges uniformly to $(D(\mathbf{p}(s), \mathbf{p}(t)))_{s,t \in [0,1]}$ a.s. It easily follows that the distortion of \mathcal{C}_n (when $V(Q_{(n)})$ is equipped with $(9/8)^{1/4} n^{-1/4} d_{\text{gr}}$ and \mathcal{M} with D) tends to 0 a.s. This gives the convergence in the Gromov-Hausdorff sense.

To get the convergence in the Gromov-Hausdorff-Prokhorov sense, we just have to apply Lemma 4 to the measure $\nu_{(n)}$ defined on the product $V(Q_{(n)}) \times \mathcal{M}$ by the formula

$$\langle \nu_{(n)}, \varphi \rangle = \int_0^1 \varphi(u_{\eta_n(\lfloor 2nt \rfloor)}^{(n)}, \mathbf{p}(t)) dt.$$

By construction, ν is supported on $\mathcal{C}_{(n)}$. On the other hand, using the notation in Lemma 4, we have $\pi_* \nu_{(n)} = \mathbf{v}$, and $\pi_* \nu_{(n)}$ is the uniform probability measure on $V(Q_{(n)}) \setminus \{\rho, \xi_{(n)}\}$, so that the Prokhorov distance between $\pi_* \nu_{(n)}$ and $n^{-1} \mu_{(n)}$ clearly tends to 0 as $n \rightarrow \infty$.

Since $(\rho, \mathbf{p}(s_*))$ and $(\xi_{(n)}, \mathbf{p}(0))$ both belong to $\mathcal{C}_{(n)}$, Lemma 4 in fact gives the convergence in $\mathbb{M}^{\bullet\bullet}$ as desired.

3.7 Convergence of Boltzmann quadrangulations

We will be interested in the convergence of random quadrangulations whose size is not fixed. In this section, we consider a Boltzmann quadrangulation Q : This means that Q is a random rooted and pointed quadrangulation such that, for every $n \geq 1$ and every $q \in \mathbb{Q}_n^\bullet$,

$$\mathbb{P}(Q = q) = \frac{1}{2} 12^{-n}.$$

Note that the factor $1/2$ corresponds to the formula

$$\sum_{n=1}^{\infty} 12^{-n} \#\mathbb{Q}_n^\bullet = 2,$$

which follows from (4) and the identity $\#\mathbb{Q}_n^\bullet = (n+2)\#\mathbb{Q}_n$. Using asymptotics for Catalan numbers, we have

$$\mathbb{P}(|Q| = n) = 4^{-n} c_n \underset{n \rightarrow \infty}{\sim} \frac{1}{\sqrt{\pi}} n^{-3/2}. \quad (20)$$

In particular, there is a constant K such that $\mathbb{P}(|Q| = n) \leq Kn^{-3/2}$ for every $n \geq 1$.

Recall that ξ denotes the distinguished vertex of Q , and assume that $\xi \neq \rho$. We then consider the tree $\tilde{\tau}_Q$, which is the tree associated with Q in Schaeffer's bijection and re-rooted at the first corner of ξ , as in Section 3.6 — recall that labels are shifted so that the label of ξ in $\tilde{\tau}_Q$ is 0. We write $(\tilde{C}_k)_{k \geq 0}$ for the contour function of $\tilde{\tau}_Q$, and $(\tilde{L}_k)_{k \geq 0}$ for its label function. We also write $\tilde{L}_* = \min\{\tilde{L}_k : k \geq 0\}$ for the minimal label in $\tilde{\tau}_Q$, and note that $d_{\text{gr}}(\rho, \xi) = -\tilde{L}_* + 1$. As previously, μ stands for the counting measure on $V(Q)$ and $V(Q)$ has the two distinguished points ρ and ξ . We write $\mathbb{D}(\mathbb{R}_+, \mathbb{R}^2)$ for the classical Skorokhod space of càdlàg functions from \mathbb{R}_+ into \mathbb{R}^2 .

Corollary 8. *Let $\delta > 0$. The distribution under $\mathbb{P}(\cdot \mid d_{\text{gr}}(\rho, \xi) > \delta\sqrt{n})$ of*

$$\left(\left(n^{-1} \tilde{C}_{\lfloor n^2 t \rfloor}, \sqrt{\frac{3}{2}} n^{-1/2} \tilde{L}_{\lfloor n^2 t \rfloor} \right)_{t \geq 0}, \left(V(Q), \sqrt{\frac{3}{2}} n^{-1/2} d_{\text{gr}}, 2n^{-2} \mu \right) \right)$$

converges as $n \rightarrow \infty$ to the distribution under $\mathbb{N}_0(\cdot \mid W_ < -\delta\sqrt{3/2})$ of*

$$\left((\zeta_t, \widehat{W}_t)_{t \geq 0}, (\mathcal{M}, D, \mathbf{v}) \right).$$

The convergence is in the sense of weak convergence of probability measures on $\mathbb{D}(\mathbb{R}_+, \mathbb{R}^2) \times \mathbb{M}^{\bullet\bullet}$.

Proof. This is basically a consequence of Theorem 7, but we provide some details. Let $r > 0$. As a consequence of Theorem 7 and easy scaling arguments, we get that the distribution of

$$\left(\left(n^{-1} \tilde{C}_{\lfloor n^2 t \rfloor}, \sqrt{\frac{3}{2}} n^{-1/2} \tilde{L}_{\lfloor n^2 t \rfloor} \right)_{t \geq 0}, \left(V(Q), \sqrt{\frac{3}{2}} n^{-1/2} d_{\text{gr}}, 2n^{-2} \mu \right) \right)$$

under $\mathbb{P}(\cdot \mid |Q| = \lfloor n^2 r \rfloor)$ converges as $n \rightarrow \infty$ to the distribution of

$$\left((\zeta_t, \widehat{W}_t)_{t \geq 0}, (\mathcal{M}, D, \mathbf{v}) \right)$$

under $\mathbb{N}_0^{(2r)}$. Then, let Φ and Ψ be bounded continuous functions defined respectively on the space $\mathbb{D}(\mathbb{R}_+, \mathbb{R}^2)$ and on the space $\mathbb{M}^{\bullet\bullet}$. To simplify notation, set

$$\begin{aligned} \Phi_n &= \Phi \left(\left(n^{-1} \tilde{C}_{\lfloor n^2 t \rfloor}, \sqrt{\frac{3}{2}} n^{-1/2} \tilde{L}_{\lfloor n^2 t \rfloor} \right)_{t \geq 0} \right), & \Psi_n &= \Psi \left(V(Q), \sqrt{\frac{3}{2}} n^{-1/2} d_{\text{gr}}, 2n^{-2} \mu \right), \\ \Phi_\infty &= \Phi \left((\zeta_t, \widehat{W}_t)_{t \geq 0} \right), & \Psi_\infty &= \Psi(\mathcal{M}, D, \mathbf{v}). \end{aligned}$$

Fix two positive constants a and A with $a < 1 < A$. Then, recalling that $d_{\text{gr}}(\rho, \xi) = -\tilde{L}_* + 1$ on the event $\{\xi \neq \rho\}$, we have

$$\mathbb{E}\left[\Phi_n \Psi_n \mathbf{1}_{\{an^2 \leq |Q| \leq An^2\} \cap \{d_{\text{gr}}(\rho, \xi) > \delta\sqrt{n}\}}\right] = n^2 \int_a^A dr \mathbb{E}\left[\Phi_n \Psi_n \mathbf{1}_{\{|Q| = \lfloor n^2 r \rfloor\}} \mathbf{1}_{\{-\tilde{L}_* + 1 > \delta\sqrt{n}\}}\right] + O(n^{-3}), \quad (21)$$

using the bound $\mathbb{P}(|Q| = n) \leq K n^{-3/2}$.

By the first observation of the proof, we have, for every $r \in [a, A]$,

$$\mathbb{E}\left[\Phi_n \Psi_n \mathbf{1}_{\{-\tilde{L}_* + 1 > \delta\sqrt{n}\}} \mid |Q| = \lfloor n^2 r \rfloor\right] \xrightarrow{n \rightarrow \infty} \mathbb{N}_0^{(2r)}\left(\Phi_\infty \Psi_\infty \mathbf{1}_{\{W_* < -\delta\sqrt{3/2}\}}\right), \quad (22)$$

using also the fact that the law of W_* under $\mathbb{N}_0^{(2r)}$ has no atom at $-\delta\sqrt{3/2}$ (we omit the details, but note that (12) shows that this is true for a.a. r , which would suffice for our argument).

On the other hand, we observe that

$$\mathbb{P}(|Q| > An^2) \leq \sum_{k=\lfloor An^2 \rfloor}^{\infty} K k^{-3/2} \leq \frac{K'}{n\sqrt{A}},$$

for some constant K' , and, using the estimate (5),

$$\mathbb{P}(\{|Q| < an^2\} \cap \{-\tilde{L}_* + 1 > \delta\sqrt{n}\}) \leq \sum_{k=1}^{\lfloor an^2 \rfloor} K k^{-3/2} \times K_1 \exp\left(-K_2 \frac{\delta\sqrt{n}}{k^{1/4}}\right) \leq \frac{\tilde{K}}{n} \exp\left(-K_2 \frac{\delta}{2a^{1/4}}\right),$$

with some constant \tilde{K} . This shows that, given $\varepsilon > 0$, we can fix a and A such that, for every n , we have

$$n \mathbb{P}(|Q| > An^2) \leq \varepsilon, \quad n \mathbb{P}(\{|Q| < an^2\} \cap \{d_{\text{gr}}(\rho, \xi) > \delta\sqrt{n}\}) \leq \varepsilon. \quad (23)$$

By (20) and (22),

$$n^3 \mathbb{E}\left[\Phi_n \Psi_n \mathbf{1}_{\{-\tilde{L}_* + 1 > \delta\sqrt{n}\}} \mathbf{1}_{\{|Q| = \lfloor n^2 r \rfloor\}}\right] \xrightarrow{n \rightarrow \infty} \frac{1}{\sqrt{\pi r^3}} \mathbb{N}_0^{(2r)}\left(\Phi_\infty \Psi_\infty \mathbf{1}_{\{W_* < -\delta\sqrt{3/2}\}}\right),$$

so that, by (21) and dominated convergence (justification is easy),

$$n \mathbb{E}\left[\Phi_n \Psi_n \mathbf{1}_{\{an^2 \leq |Q| \leq An^2\} \cap \{d_{\text{gr}}(\rho, \xi) > \delta\sqrt{n}\}}\right] \xrightarrow{n \rightarrow \infty} \int_a^A \frac{dr}{\sqrt{\pi r^3}} \mathbb{N}_0^{(2r)}\left(\Phi_\infty \Psi_\infty \mathbf{1}_{\{W_* < -\delta\sqrt{3/2}\}}\right).$$

Using the estimates (23), we conclude that

$$\begin{aligned} & n \mathbb{E}\left[\Phi_n \Psi_n \mathbf{1}_{\{d_{\text{gr}}(\rho, \xi) > \delta\sqrt{n}\}}\right] \\ & \xrightarrow{n \rightarrow \infty} \int_0^\infty \frac{dr}{\sqrt{\pi r^3}} \mathbb{N}_0^{(2r)}\left(\Phi_\infty \Psi_\infty \mathbf{1}_{\{W_* < -\delta\sqrt{3/2}\}}\right) = 4 \mathbb{N}_0\left(\Phi_\infty \Psi_\infty \mathbf{1}_{\{W_* < -\delta\sqrt{3/2}\}}\right). \end{aligned} \quad (24)$$

We divide the asymptotics (24) by the same asymptotics written with $\Phi = 1$ and $\Psi = 1$, and we arrive at the desired result. \square

We conclude this section with a technical lemma that will be useful later. We again leave aside the case $\xi = \rho$ and, for every integer $k \geq 0$, we write \mathcal{K}_k for the collection of those vertices v of $\tilde{\tau}_Q$ such that the geodesic (in the tree $\tilde{\tau}_Q$) from v to ξ visits at least one vertex with label at most $\tilde{L}_* + k - 1$. Since the label of ξ in $\tilde{\tau}_Q$ is 0, $\mathcal{K}_k = V(\tilde{\tau}_Q)$ when $k \geq -\tilde{L}_* + 1 = d_{\text{gr}}(\rho, \xi)$.

Recall the notation $\underline{w} = \min\{w(t) : 0 \leq t \leq \zeta_{(w)}\}$ for a stopped path w .

Lemma 9. *Let $\delta > 0$ and $r \in (0, \delta]$. The distribution of $n^{-2} \#\mathcal{K}_{\lfloor r\sqrt{n} \rfloor}$ under $\mathbb{P}(\cdot \mid d_{\text{gr}}(\rho, \xi) > \delta\sqrt{n})$ converges as $n \rightarrow \infty$ to the distribution of*

$$\frac{1}{2} \int_0^\sigma ds \mathbf{1}_{\{\underline{W}_s \leq W_* + r\sqrt{3/2}\}}$$

under $\mathbb{N}_0(\cdot \mid W_* < -\delta\sqrt{3/2})$, and this convergence holds jointly with that of Corollary 8.

Proof. This is a relatively straightforward consequence of Corollary 8, and we only sketch the arguments. Write $u_0, u_1, \dots, u_{2|Q|}$ for the contour sequence of $\tilde{\tau}_Q$, and for every $m \in \{0, 1, \dots, 2|Q|\}$, let \tilde{L}_m be the minimal label of all ancestors of u_m in $\tilde{\tau}_Q$ (equivalently this is the minimal label on the geodesic from ξ to u_m). Then, the distribution of

$$\left(\frac{1}{\sqrt{n}} \tilde{L}_{\lfloor n^2 s \rfloor \wedge 2|Q|} \right)_{s \geq 0}$$

under $\mathbb{P}(\cdot \mid d_{\text{gr}}(\rho, \xi) > \delta\sqrt{n})$ converges as $n \rightarrow \infty$ to the distribution of $(\sqrt{2/3} \underline{W}_s)_{s \geq 0}$ under $\mathbb{N}_0(\cdot \mid W_* < -\delta\sqrt{3/2})$, and this convergence holds jointly with that of Corollary 8 (the point is that the convergence of the rescaled contour and label functions in Corollary 8 entails the convergence of the associated discrete snakes, in the spirit of the homeomorphism theorem of [39] — we omit a few details here). For every $i \in \{0, 1, \dots, 2|Q| - 1\}$, set $\eta(i) = i + 1$ if $\tilde{C}_{i+1} > \tilde{C}_i$ and $\eta(i) = i$ if $\tilde{C}_{i+1} < \tilde{C}_i$, in such a way that, for every vertex v of $V(\tilde{\tau}_Q) \setminus \{\xi\}$ there are exactly two values of i such that $u_{\eta(i)} = v$. Then, for every $0 \leq k \leq -\tilde{L}_*$,

$$\#\mathcal{K}_k = \frac{1}{2} \#\{i \in \{0, 1, \dots, 2|Q| - 1\} : \tilde{L}_{\eta(i)} \leq \tilde{L}_* + k - 1\}$$

and (taking $k = \lfloor r\sqrt{n} \rfloor$) it follows from the first observation of the proof that the distribution under $\mathbb{P}(\cdot \mid d_{\text{gr}}(\rho, \xi) > \delta\sqrt{n})$ of

$$n^{-2} \#\mathcal{K}_{\lfloor r\sqrt{n} \rfloor} = \frac{1}{2} \int_0^{2n^{-2}|Q|} ds \mathbf{1}_{\left\{ \frac{1}{\sqrt{n}} \tilde{L}_{\eta(\lfloor n^2 s \rfloor)} \leq \frac{1}{\sqrt{n}} \tilde{L}_* + \frac{\lfloor r\sqrt{n} \rfloor - 1}{\sqrt{n}} \right\}},$$

converges as $n \rightarrow \infty$ to the law of

$$\frac{1}{2} \int_0^\sigma ds \mathbf{1}_{\{\underline{W}_s \leq W_* + r\sqrt{3/2}\}}$$

jointly with the convergence of Corollary 8, as desired. \square

Remark. In the last step of the proof, we implicitly use the fact that the set of all $s \in [0, \sigma]$ such that $\underline{W}_s = W_* + r\sqrt{3/2}$ has zero Lebesgue measure, \mathbb{N}_0 a.e. This can be derived by a scaling argument, and we leave the proof as an exercise for the reader.

4 Quadrangulations with a boundary and Brownian disks

4.1 Quadrangulations with a boundary

Recall that a quadrangulation with a (general) boundary is a rooted planar map q such that all faces but the root face (lying to the right of the root edge) have degree 4. The root face is also called the outer face and the other faces are inner faces. The degree of the outer face, which is an even integer, is then called the boundary size or the perimeter of q . We will use the notation

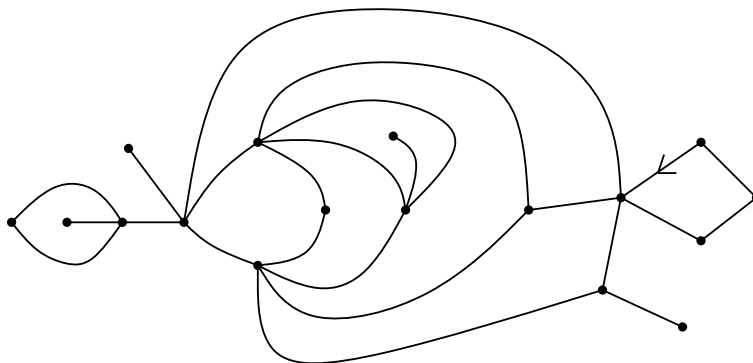


Figure 2: A quadrangulation with a boundary of size 16.

∂q for the the collection of all vertices incident to the outer face. By definition, the root corner of q is the corner of the outer face that is incident to the root vertex to the right of the root edge. See Fig. 2 for an example.

The quadrangulation with a boundary q is said to be pointed if there is a distinguished vertex, which will be denoted by ξ . For every integer $k \geq 1$, we denote the set of all pointed quadrangulations with a boundary of size $2k$ by $\mathbb{Q}^{\partial,k}$. For every integer $n \geq 0$, the subset of $\mathbb{Q}^{\partial,k}$ consisting of those quadrangulations q that have n inner faces is denoted by $\mathbb{Q}_n^{\partial,k}$. Then, for every $k \geq 1$, there is a constant $b_k > 0$ such that

$$\#\mathbb{Q}_n^{\partial,k} \underset{n \rightarrow \infty}{\sim} b_k 12^n n^{-3/2}.$$

See formula (4) in [22], noting that this formula applies to non-pointed quadrangulations.

A random variable $B_{(k)}$ with values in $\mathbb{Q}^{\partial,k}$ is called a Boltzmann (pointed) quadrangulation with a boundary of size $2k$ if, for every integer $n \geq 0$ and every $q \in \mathbb{Q}_n^{\partial,k}$,

$$\mathbb{P}(B_{(k)} = q) = \tilde{b}_k 12^{-n},$$

where $\tilde{b}_k > 0$ is the appropriate normalizing constant.

4.2 Free Brownian disks

In this section, we recall the construction of (free pointed) Brownian disks from [10]. Our presentation is in fact a little simpler than the one in [10] because we do not condition on the volume of the Brownian disks.

We start from a standard linear Brownian motion $X = (X_t)_{t \geq 0}$ with $X_0 = 0$, and, for every $r > 0$, we set $T_r = \inf\{t \geq 0 : X_t = -r\}$. For every $t \geq 0$, we also set $\underline{X}_t = \inf_{0 \leq s \leq t} X_s$. We consider a process Y° such that, conditionally on X , Y° is a centered Gaussian process with covariance

$$\mathbb{E}[Y_s^\circ Y_{s'}^\circ | X] = \inf_{s \wedge s' \leq u \leq s \vee s'} (X_u - \underline{X}_u).$$

From now on, we fix $r > 0$, and let $(b(s))_{0 \leq s \leq r}$ be a standard Brownian bridge (starting and ending at 0) with duration r , independent of (X, Y°) . We set, for every $t \in [0, T_r]$,

$$Y_t = Y_t^\circ + \sqrt{3} b(-\underline{X}_t).$$

We may view $(Y_t)_{0 \leq t \leq T_r}$ as labels assigned to the vertices of the tree coded by $(X_t - \underline{X}_t)_{0 \leq t \leq T_r}$ and then proceed in a way similar to the construction of the Brownian map in Section 3.6. Let us explain the details. For every $s, s' \in [0, T_r]$, we define

$$\underline{Y}_{s,s'} = \inf\{Y_u : u \in [s, s']\},$$

where by convention $[s, s'] = [s, T_r] \cup [0, s']$ if $s > s'$. We set

$$D^{\partial, \circ}(s, s') = Y_s + Y_{s'} - 2 \max\{\underline{Y}_{s,s'}, \underline{Y}_{s',s}\}.$$

We then let D^∂ be the maximal pseudo-metric on $[0, T_r]$ that is bounded above by $D^{\partial, \circ}$ and is such that, for every $s, s' \in [0, T_r]$,

$$X_s = X_{s'} = \min_{s \wedge s' \leq u \leq s \vee s'} X_u \Rightarrow D^\partial(s, s') = 0.$$

See formula (17) in [10] for an “explicit” formula for $D^\partial(s, s')$. To interpret the last display, note that $(X_t)_{0 \leq t \leq T_r}$ codes a forest of \mathbb{R} -trees in the way explained in [10, Section 2.1], and that D^∂ can be viewed as defined on pairs of vertices of this forest, in a way very similar to the construction of the Brownian map.

We let \mathbb{D}_r^\bullet be the quotient space of $[0, T_r]$ for the equivalence relation associated with the pseudo-metric D^∂ , and equip \mathbb{D}_r^\bullet with the induced metric (still denoted by D^∂). We let p_r^\bullet be the canonical projection from $[0, T_r]$ onto \mathbb{D}_r^\bullet . The boundary $\partial \mathbb{D}_r^\bullet$ is by definition

$$\partial \mathbb{D}_r^\bullet = p_r^\bullet(\{s \in [0, T_r] : X_t = \underline{X}_t\}).$$

The terminology is justified by the fact that \mathbb{D}_r^\bullet is homeomorphic to the unit disk in the plane, and that this homeomorphism maps $\partial \mathbb{D}_r^\bullet$ to the unit circle [8, 10].

We view \mathbb{D}_r^\bullet as a pointed measure metric space: The volume measure \mathbf{v}_r^\bullet is the image of Lebesgue measure on $[0, T_r]$ under the canonical projection p_r^\bullet , and the distinguished point is $p_r^\bullet(s_*)$, where s_* is the (unique) time in $[0, T_r]$ at which Y attains its minimum.

By definition, the pointed measure metric space $(\mathbb{D}_r^\bullet, D^\partial, \mathbf{v}_r^\bullet)$ is the free pointed Brownian disk with perimeter r . We note that the total mass of the volume measure \mathbf{v}_r^\bullet is T_r , which has density

$$v \mapsto \frac{r}{\sqrt{2\pi v^3}} \exp\left(-\frac{r^2}{2v}\right).$$

By scaling arguments, it is straightforward to verify that

$$(\mathbb{D}_r^\bullet, D^\partial, \mathbf{v}_r^\bullet) \stackrel{(d)}{=} (\mathbb{D}_1^\bullet, \sqrt{r} D^\partial, r^2 \mathbf{v}_1^\bullet) \quad (25)$$

We denote the distribution of the free pointed Brownian disk with perimeter r by \mathbb{F}_r^\bullet . Thus, \mathbb{F}_r^\bullet is a probability measure on \mathbb{M}^\bullet . If $M^\bullet \in \mathbb{M}^\bullet$, we set $\kappa(M^\bullet) = M$, where M is the measure metric space obtained by “forgetting” the distinguished point of M^\bullet . The distribution of the free Brownian disk can then be defined via its density with respect to $\kappa_* \mathbb{F}_r^\bullet$. For notational convenience, if $M^\bullet \in \mathbb{M}^\bullet$, we write $\Sigma(M^\bullet)$ for the total mass of the volume measure of M^\bullet . The distribution \mathbb{F}_r of the free Brownian disk with perimeter r is the probability measure on \mathbb{M} obtained by setting, for any nonnegative measurable function G on \mathbb{M} ,

$$\mathbb{F}_r(G) = r^2 \mathbb{F}_r^\bullet\left(\frac{1}{\Sigma} G \circ \kappa\right).$$

Note that this defines a probability measure since

$$\mathbb{F}_r^\bullet\left(\frac{1}{\Sigma}\right) = \int_0^\infty dv \frac{r}{\sqrt{2\pi v^3}} \exp\left(-\frac{r^2}{2v}\right) = r^{-2}.$$

4.3 Brownian disks with glued boundary

For technical reasons, we will also need to consider the pointed Brownian disk with “boundary glued into a single point”. To explain this, let $(\mathbb{D}_r^\bullet, D^\partial, \mathbf{v}_r^\bullet)$ be the free pointed Brownian disk with perimeter $r > 0$ constructed as in Section 4.2. Recalling the notation $\partial\mathbb{D}_r^\bullet$ for the boundary of \mathbb{D}_r^\bullet , we set

$$D^{\partial,\dagger}(x, y) = \min\{D^\partial(x, y), D^\partial(x, \partial\mathbb{D}_r^\bullet) + D^\partial(y, \partial\mathbb{D}_r^\bullet)\}, \quad (26)$$

for every $x, y \in \mathbb{D}_r^\bullet$. It is easy to verify that $D^{\partial,\dagger}$ satisfies the triangle inequality, and that $D^{\partial,\dagger}(x, y) = 0$ if and only if either $x = y$, or x and y both belong to $\partial\mathbb{D}_r^\bullet$. We write $\mathbb{D}_r^{\bullet,\dagger}$ for the set obtained from \mathbb{D}_r^\bullet by identifying the whole boundary to a single point denoted by x_∂ , and equip $\mathbb{D}_r^{\bullet,\dagger}$ with the distance induced by $D^{\partial,\dagger}$, and with the volume measure $\mathbf{v}_r^{\bullet,\dagger}$ which is the image of the volume measure \mathbf{v}_r^\bullet on \mathbb{D}_r^\bullet under the canonical projection (we notice that \mathbf{v}_r^\bullet gives no mass to the boundary). Finally we let $\mathbb{F}_r^{\bullet,\dagger}$ be the distribution of $\mathbb{D}_r^{\bullet,\dagger}$ viewed as a random 2-pointed measure metric space, where the two distinguished vertices are the “boundary point” x_∂ and the distinguished vertex of \mathbb{D}_r^\bullet .

As an immediate consequence of (25), we have also

$$(\mathbb{D}_r^{\bullet,\dagger}, D^{\partial,\dagger}, \mathbf{v}_r^{\bullet,\dagger}) \stackrel{(d)}{=} (\mathbb{D}_1^{\bullet,\dagger}, \sqrt{r} D^{\partial,\dagger}, r^2 \mathbf{v}_1^{\bullet,\dagger}) \quad (27)$$

We can use the same method to define the (unpointed) free Brownian disk with glued boundary from the distribution \mathbb{F}_r . We get a probability measure \mathbb{F}_r^\dagger on the space \mathbb{M}^\bullet — the distinguished point is the “boundary point”.

4.4 Convergence to the free Brownian disk

In this section, we recall the convergence of rescaled quadrangulations with a boundary to the free pointed Brownian disk, which is obtained in [10]. As in the case of the Brownian map, we need a more precise formulation than the one in [10], which we state below with a sketch of proof (see also [25, Section 4.1]).

As in Section 4.1, we let $B_{(k)}$ be a Boltzmann quadrangulation with a boundary of size $2k$, for every $k \geq 1$. We recall that $B_{(k)}$ comes with a distinguished vertex ξ . As previously, the graph distance on the vertex set $V(B_{(k)})$ is denoted by d_{gr} . We denote the counting measure on $V(B_{(k)})$ by $\mu_{(k)}$ and we view $(V(B_{(k)}), d_{\text{gr}}, \mu_{(k)})$ as a random pointed measure metric space with distinguished point ξ .

Theorem 10. *We have*

$$\left(V(B_{(k)}), \sqrt{\frac{3}{2}} k^{-1/2} d_{\text{gr}}, 2k^{-2} \mu_{(k)} \right) \xrightarrow[k \rightarrow \infty]{(d)} (\mathbb{D}_1^\bullet, D^\partial, \mathbf{v}_1^\bullet)$$

where the convergence holds in distribution in \mathbb{M}^\bullet .

Proof. The convergence of the theorem essentially follows from Theorem 8 in [10], except that the latter result only deals with the Gromov-Hausdorff convergence, and so some additional work is needed here to get convergence in \mathbb{M}^\bullet . This is very similar to the argument explained after the statement of Theorem 7 for the convergence to the Brownian map, but we will provide some details that will also be useful later. We rely on the analog of Schaeffer’s bijection for quadrangulations with a boundary that is presented in [10, Section 3.3]. There exists a bijection between the set $\mathbb{Q}^{\partial,k}$ and the collection of all triples $(\epsilon, (\tau_1, \dots, \tau_k), (b_1, \dots, b_k))$ consisting of a number $\epsilon \in \{-1, 1\}$, a forest of k labeled plane trees $(\tau_1, \tau_2, \dots, \tau_k)$ (in the sense of Section

3.1), and a “bridge” (b_1, \dots, b_k) , which is a finite sequence of integers such that $b_1 = 0$ and $b_{i+1} - b_i \geq -1$ for every $1 \leq i \leq k$, with the convention that $b_{k+1} = 0$. Given a triple $(\epsilon, (\tau_1, \dots, \tau_k), (b_1, \dots, b_k))$, the corresponding quadrangulation with a boundary q is such that its vertex set is identified canonically with $V(\tau_1) \cup \dots \cup V(\tau_k) \cup \{\xi\}$, where ξ is an extra vertex which is the distinguished vertex of q .

Fix such a triple $(\epsilon, (\tau_1, \dots, \tau_k), (b_1, \dots, b_k))$, and, for every $i \in \{1, \dots, k\}$, let $(u_0^i, \dots, u_{2n_i}^i)$ be the contour sequence of τ_i . The contour sequence of the forest (τ_1, \dots, τ_k) is then the sequence

$$(u_0^1, \dots, u_{2n_1}^1, u_0^2, \dots, u_{2n_2}^2, \dots, u_0^k, \dots, u_{2n_k}^k).$$

Set $n = 2(n_1 + \dots + n_k) + k$, so that the contour sequence can be written as (u_0, \dots, u_{n-1}) . For every $j \in \{0, 1, \dots, n-1\}$, we write $\alpha_j = i$ if the j -th term in the contour sequence corresponds to a vertex of τ_i (equivalently if $2(n_1 + \dots + n_{i-1}) + i - 1 \leq j < 2(n_1 + \dots + n_i) + i$). We define the contour and label functions by

$$C_j = |u_j| - \alpha_j + 1, \quad L_j = b_{\alpha_j} + \ell_{u_j}, \quad \text{for } 0 \leq j \leq n-1,$$

where ℓ_{u_j} is the label of u_j . By convention, we also take $C_n = -k$ and $L_n = 0$. We extend the definition of C_j and L_j to real values of the parameter in $[0, n]$ by linear interpolation.

Suppose now that we consider a Boltzmann (pointed) quadrangulation $B_{(k)}$ with a boundary of size $2k$. Then the associated forest $(\tau_1, \tau_2, \dots, \tau_k)$ is a forest of k independent Galton-Watson trees with geometric offspring distribution of parameter $1/2$ with labels chosen uniformly among admissible labels. Also, (b_1, \dots, b_k) is chosen uniformly at random among all bridges of length k , independently of (τ_1, \dots, τ_k) . If $(C_i^{(k)})_{0 \leq i \leq N_k}$ and $(L_i^{(k)})_{0 \leq i \leq N_k}$ are the contour and label functions associated with $B^{(k)}$, one has

$$\left(k^{-1} C_{k^2 s}^{(k)}, \sqrt{\frac{3}{2}} k^{-1/2} L_{k^2 s}^{(k)} \right)_{0 \leq s \leq k^{-2} N_k} \xrightarrow[k \rightarrow \infty]{(d)} (X_t, Y_t)_{0 \leq t \leq T_1} \quad (28)$$

where X, Y and T_1 are as Section 4.2, and the convergence in distribution makes sense in the space of finite paths defined in Section 3.2. See [8, Proposition 7], which in fact gives a stronger result than (28). As in Section 4.2, we let $(\mathbb{D}_1^\bullet, D^\partial, \mathbf{v}_1^\bullet)$ be the free Brownian disk constructed from the pair (X, Y) , and p_1^\bullet denotes the canonical projection from $[0, T_1]$ onto \mathbb{D}_1^\bullet . Also, the contour sequence of the forest associated with $B_{(k)}$ is denoted by $(u_0^{(k)}, \dots, u_{N_k-1}^{(k)})$, and for $0 \leq i \leq N_k - 1$, we set $\eta_k(i) = i$ if $C_{i+1}^{(k)} < C_i^{(k)}$, and $\eta_k(i) = i + 1$ otherwise.

Following [10, Section 5.2], we can use the Skorokhod representation theorem to construct the sequence $(B_{(k)})_{k \geq 1}$ in such a way that the convergence (28) holds a.s. and moreover the following holds. If \mathcal{C}_k is the correspondence between $(V(B_{(k)}), (3/2k)^{1/2} d_{\text{gr}})$ and $(\mathbb{D}_1^\bullet, D^\partial)$ defined by declaring that, for every $s \in [0, T_1 \vee k^{-2}(N_k - 1)]$, $(u_{\eta_k(\lfloor k^2 s \rfloor \wedge (N_k - 1))}^{(k)}, p_1^\bullet(s \wedge T_1)) \in \mathcal{C}_k$, and furthermore the distinguished vertex ξ of $B^{(k)}$ is in correspondence with the distinguished vertex of \mathbb{D}_1^\bullet , then the distortion of the correspondence \mathcal{C}_k tends to 0 as $k \rightarrow \infty$. This property gives the convergence in the Gromov-Hausdorff sense.

To get the stronger convergence in \mathbb{M}^\bullet , we rely again on Lemma 4. With the notation of this lemma, it is easy to check that the measure $\nu_{(k)}$ defined on the product $V(B^{(k)}) \times \mathbb{D}_1^\bullet$ by

$$\langle \nu_{(k)}, \phi \rangle = \int_0^{k^{-2} N_k \wedge T_1} dt \phi(u_{\eta_k(\lfloor k^2 t \rfloor)}^{(k)}, p_1^\bullet(t))$$

is supported on \mathcal{C}_k , and both the Prokhorov distance between $\pi_* \nu_{(k)}$ and $2k^{-2} \mu_{(k)}$ and the Prokhorov distance between $\pi'_* \nu_{(k)}$ and \mathbf{v}_1^\bullet tend to 0 as $k \rightarrow \infty$. \square

Let $B_{(k)}$ be as in the previous statement. We can view $B_{(k)}$ as a submap of a (rooted and pointed) planar quadrangulation which is defined as follows. We first add to $B_{(k)}$ an extra vertex ϖ belonging to the outer face of $B_{(k)}$. Then, if $c_0, c_1, \dots, c_{2k} = c_0$ are the corners incident to the outer face enumerated in clockwise order starting from the root corner c_0 , we draw an edge connecting ϖ to each of the corners $c_0, c_2, c_4, \dots, c_{2k-2}$. In this way, we obtain a planar quadrangulation, which is rooted at the oriented edge from ϖ to the corner c_0 . We write $B_{(k)}^\dagger$ for this quadrangulation, and use the notation d_{gr}^\dagger for the graph distance on $V(B_{(k)}^\dagger) = V(B_{(k)}) \cup \{\varpi\}$. We view $(V(B_{(k)}^\dagger), d_{\text{gr}}^\dagger, \mu_{(k)})$ as a random 2-pointed measure metric space, whose distinguished points are ϖ and ξ .

Corollary 11. *We have*

$$\left(V(B_{(k)}^\dagger), \sqrt{\frac{3}{2}} k^{-1/2} d_{\text{gr}}^\dagger, 2k^{-2} \mu_{(k)} \right) \xrightarrow[k \rightarrow \infty]{(d)} (\mathbb{D}_1^{\bullet, \dagger}, D^{\partial, \dagger}, \mathbf{v}_1^{\bullet, \dagger})$$

where the convergence holds in distribution in $\mathbb{M}^{\bullet\bullet}$, and the limit is the Brownian disk with glued boundary defined in Section 4.3.

Proof. We argue as in the proof of Theorem 10, assuming that the convergence (28) holds a.s. and that the distortion of the correspondences \mathcal{C}_k introduced in this proof converges to 0 a.s. Then, for every k , we define a correspondence \mathcal{C}_k^\dagger between $V(B_{(k)}^\dagger)$ and $\mathbb{D}_1^{\bullet, \dagger}$ by declaring that:

- If $(u, x) \in \mathcal{C}_k$ and $x \notin \partial \mathbb{D}_1^\bullet$ then $(u, x) \in \mathcal{C}_k^\dagger$.
- If $(u, x) \in \mathcal{C}_k$ and $x \in \partial \mathbb{D}_1^\bullet$ then $(u, x_\partial) \in \mathcal{C}_k^\dagger$.
- $(\varpi, x_\partial) \in \mathcal{C}_k^\dagger$.

We claim that the distortion of \mathcal{C}_k^\dagger (as a correspondence between $(V(B_{(k)}^\dagger), (3/2k)^{1/2} d_{\text{gr}}^\dagger)$ and $(\mathbb{D}_1^{\bullet, \dagger}, D^{\partial, \dagger})$) tends to 0. We first observe that, for every $u, v \in V(B_{(k)})$,

$$|d_{\text{gr}}^\dagger(u, v) - \min\{d_{\text{gr}}(u, v), d_{\text{gr}}(u, \partial B_{(k)}) + d_{\text{gr}}(v, \partial B_{(k)})\}| \leq 4. \quad (29)$$

and also recall that, by definition,

$$D^{\partial, \dagger}(x, y) = \min\{D^\partial(x, y), D^\partial(x, \partial \mathbb{D}_1^\bullet) + D^\partial(y, \partial \mathbb{D}_1^\bullet)\},$$

for $x, y \in \mathbb{D}_1^\bullet$.

Taking into account the last two formulas, and recalling that we already know that the distortion of \mathcal{C}_k tends to 0, our claim will follow if we can verify that

$$\sup\{|(3/2k)^{1/2} d_{\text{gr}}(u, \partial B_{(k)}) - D^\partial(x, \partial \mathbb{D}_1^\bullet)| : (u, x) \in \mathcal{C}_k\} \xrightarrow[k \rightarrow \infty]{\text{a.s.}} 0. \quad (30)$$

For every $\varepsilon > 0$, write $(\partial \mathbb{D}_1^\bullet)_\varepsilon$ for the set of all points of \mathbb{D}_1^\bullet whose D^∂ -distance from \mathbb{D}_1^\bullet is less than ε . Similarly, for every $A > 0$, write $(\partial B_{(k)})_A$ for the set of all vertices of $B_{(k)}$ whose d_{gr} -distance from $\partial B_{(k)}$ is less than A . We will prove that for every $\varepsilon > 0$, a.s. for k large enough,

- (i) $(\partial \mathbb{D}_1^\bullet)_\varepsilon$ contains all $x \in \mathbb{D}_1^\bullet$ such that $(u, x) \in \mathcal{C}_k$ for some $u \in \partial B_{(k)}$.
- (ii) $(\partial B_{(k)})_{\varepsilon\sqrt{k}}$ contains all $u \in V(B_{(k)})$ such that $(u, x) \in \mathcal{C}_k$ for some $x \in \partial \mathbb{D}_1^\bullet$.

Recalling the notation $\text{dis } \mathcal{C}_k$ for the distortion of \mathcal{C}_k , it will follow that a.s. for k large enough, for every $(u, x) \in \mathcal{C}_k$,

$$(3/2k)^{1/2} \min_{v \in \partial B_{(k)}} d_{\text{gr}}(u, v) \geq \min_{y \in (\partial \mathbb{D}_1^\bullet)_\varepsilon} D^\partial(x, y) - \text{dis } \mathcal{C}_k \geq \min_{z \in \partial \mathbb{D}_1^\bullet} D^\partial(x, z) - \varepsilon - \text{dis } \mathcal{C}_k$$

using (i). Similarly, using (ii), we will have for k large enough, for $(u, x) \in \mathcal{C}_k$,

$$\min_{z \in \partial \mathbb{D}_1^\bullet} D^\partial(x, z) \geq \min_{v \in (\partial B_{(k)})_{\varepsilon\sqrt{k}}} (3/2k)^{1/2} d_{\text{gr}}(u, v) - \text{dis } \mathcal{C}_k \geq \min_{w \in \partial B_{(k)}} (3/2k)^{1/2} d_{\text{gr}}(u, w) - 2\varepsilon - \text{dis } \mathcal{C}_k.$$

The last two displays give (30).

We still have to prove (i) and (ii). Let us start with (ii). Let $u \in V(B_{(k)})$ such that $(u, x) \in \mathcal{C}_k$ for some $x \in \partial \mathbb{D}_1^\bullet$. We note that $x = p_1^\bullet(s)$ with $s \in [0, T_1]$ such that $X_s = \underline{X}_s$. By standard properties of linear Brownian motion, s must be a time of decrease of $t \mapsto \underline{X}_t$. Using this remark and a compactness argument, the a.s. convergence (28) entails that, given $\delta > 0$, we can choose k large enough (independently of s) such that there exists $j \in \{0, 1, \dots, N_k - 1\}$ with $|s - \frac{j}{k^2}| < \delta$ and

$$C_{j+1}^{(k)} < \min_{0 \leq i \leq j} C_i^{(k)}.$$

The last display implies that $u_j^{(k)}$ is the root of one of the trees in the forest associated with $B_{(k)}$ and therefore belongs to $\partial B_{(k)}$ (see [10, Section 3.3]). Here we recall that the vertex set $V(B_{(k)})$ is canonically identified with the union of the vertex set of the associated forest and the singleton $\{\xi\}$. Finally, recalling the definition of the correspondence \mathcal{C}_k , we get that $(u_j^{(k)}, p_1^\bullet(\frac{j}{k^2} \wedge T_1)) \in \mathcal{C}_k$, so that

$$(2k/3)^{-1/2} d_{\text{gr}}(u, u_j^{(k)}) \leq D^\partial(s, \frac{j}{k^2} \wedge T_1) + \text{dis } \mathcal{C}_k,$$

and we just have to use the property $|s - \frac{j}{k^2}| < \delta$ together with the continuity of $(t, t') \mapsto D^\partial(t, t')$ on the diagonal.

The proof of (i) is similar, but we need an extra argument because not every point of $\partial B_{(k)}$ is the root of one of the trees in the forest associated with $B_{(k)}$. Still, if $(b_1^{(k)}, \dots, b_k^{(k)})$ is the bridge corresponding to $B_{(k)}$, a close look at the combinatorial bijection for quadrangulations with a boundary (see again [10, Section 3.3]) shows that the maximal graph distance between a point of $\partial B_{(k)}$ and the collection of roots of all trees in the coding forest is bounded above by

$$\max_{1 \leq i \leq k} (b_{i+1}^{(k)} - b_i^{(k)}),$$

where $b_{k+1}^{(k)} = 0$ by convention. The quantity in the last display normalized by $k^{-1/2}$ converges to 0 a.s., simply because the rescaled processes $(k^{-1/2} b_{\lfloor kt \rfloor}^{(k)})_{0 \leq t \leq 1}$ converge to a Brownian bridge (this is indeed a consequence of (28)). Modulo this observation, the proof of (i) is very similar to that of (ii) — we now use the fact that if $u_j^{(k)}$ is the root of a tree in the coding forest, then j/k^2 must be close to a time $t \in [0, T_1]$ such that $\underline{X}_t = X_t$ and therefore $p_1^\bullet(t) \in \partial \mathbb{D}_1^\bullet$ — and we omit the details.

This completes the proof of our claim that the distortion of \mathcal{C}_k^\dagger tends to 0 and thus establishes the convergence of the corollary in the Gromov-Hausdorff sense. To see that the convergence holds in $M^{\bullet\bullet}$, we use Lemma 4 with the same measure $\nu_{(k)}$ that was used in the proof of Theorem 10, or more precisely the image of $\nu_{(k)}$ under the mapping $(u, x) \mapsto (u, \tilde{x})$, where $\tilde{x} = x$ if $x \notin \partial \mathbb{D}_1^\bullet$ and $\tilde{x} = x_\partial$ if $x \in \partial \mathbb{D}_1^\bullet$. \square

5 Some results about the Brownian snake

5.1 The Brownian snake truncated at $W_* + \delta$

In this section, we establish some properties of the Brownian snake that will play an important role in the proof of our main results.

Recall the notation \mathcal{S}_x for the space of all snake trajectories with initial point x . If $\omega \in \mathcal{S}_x$, we can make sense of the truncation $\text{tr}_b(\omega)$, for every $b < x$. Let us also define the point process of excursions of ω outside (b, ∞) . Recalling the notation $\tau_b(w) = \inf\{t \in [0, \zeta(w)] : w(t) = b\}$, we observe that the set

$$\{s \geq 0 : \tau_b(\omega_s) < \zeta_s\}$$

is open and can therefore be written as a union of disjoint open intervals (α_i, β_i) , $i \in I$, where I may be empty. From the fact that ω is a snake trajectory, it is not hard to verify that we must have $p_\zeta(\alpha_i) = p_\zeta(\beta_i)$ for every $i \in I$. Furthermore the path $\omega_{\alpha_i} = \omega_{\beta_i}$ hits b exactly at its lifetime $\zeta_{\alpha_i} = \zeta_{\beta_i}$, and the paths ω_s , $s \in [\alpha_i, \beta_i]$, coincide with $\omega_{\alpha_i} = \omega_{\beta_i}$ over the time interval $[0, \zeta_{\alpha_i}]$. We then define the excursion ω_i , for every $i \in I$, by declaring that, for every $s \geq 0$, $W_s(\omega_i)$ is the finite path $(\omega_{(\alpha_i+s) \wedge \beta_i}(\zeta_{\alpha_i} + t) - b)_{0 \leq t \leq \zeta^i(s)}$ with lifetime $\zeta^i(s) = \zeta_{(\alpha_i+s) \wedge \beta_i} - \zeta_{\alpha_i}$. We observe that the genealogical tree of ω^i (which is coded by ζ^i) is identified to the subtree of \mathcal{T}_ζ consisting of all descendants of $p_\zeta(\alpha_i) = p_\zeta(\beta_i)$. The point measure of excursions of ω outside (b, ∞) is the point measure on \mathcal{S}_0 defined by

$$\mathcal{N}_b(\omega) := \sum_{i \in I} \delta_{\omega_i}.$$

Note that our definition is slightly different from the one in [2] because we have shifted the excursions so that their starting point is 0 instead of b .

We also introduce *exit measures*, following [30, Chapter 5]. Let $x \in \mathbb{R}$ and $b < x$. There exists a continuous increasing process $\ell^b = (\ell_s^b)_{s \geq 0}$ called the exit local time such that, \mathbb{N}_x a.e. for every $s \geq 0$,

$$\ell_s^b = \lim_{\varepsilon \rightarrow 0} \frac{1}{\varepsilon} \int_0^s dr \mathbf{1}_{\{\tau_b(W_r) < \zeta_r < \tau_b(W_s) + \varepsilon\}}.$$

It is clear that the topological support $\text{supp}(d\ell_s^b)$ of the measure $d\ell_s^b$ is contained in $\{s \geq 0 : \tau_b(W_s) = \zeta_s\}$, but in fact more is true:

$$\text{supp}(d\ell_s^b) = \{s \geq 0 : \tau_b(W_s) = \zeta_s\}, \quad \mathbb{N}_x \text{ a.e.} \quad (31)$$

This follows from the more general results in [30, Chapter 6], see in particular the remark following the proof of [30, Theorem 6.9]. The quantity $\mathcal{Z}_b := \ell_\sigma^b$ is called the exit measure from (b, ∞) (our terminology is slightly different from the one in [30], where the exit measure would be the measure $\mathcal{Z}_b \delta_b$). As explained in [2, Section 2.5], the process $(\mathcal{Z}_b)_{b \in (-\infty, x)}$ has a càdlàg modification under \mathbb{N}_x , which we consider from now on.

Let us fix $\delta > 0$ and write $\mathbb{N}_0^{[-\delta]} = \mathbb{N}_0(\cdot \mid W_* < -\delta)$. The remaining part of this section will provide results about the truncated snake $\text{tr}_{W_* + \delta}(W)$, the point measure of excursions $\mathcal{N}_{W_* + \delta}$, and the exit measure $\mathcal{Z}_{W_* + \delta}$ under $\mathbb{N}_0^{[-\delta]}$. The motivation for these results is best understood from the construction of the free Brownian map as the 2-pointed measure metric space $\mathcal{L}^{\bullet\bullet}(\omega)$ under $\mathbb{N}_0(d\omega)$ (Section 3.5). In this construction, the conditioning by $\{W_* < -\delta\}$ corresponds to the property $D(x_*, x_0) > \delta$, the truncated snake $\text{tr}_{W_* + \delta}(W)$ is closely related to the connected component of the complement of the ball $B(x_*, \delta)$ that contains x_0 , $\mathcal{Z}_{W_* + \delta}$ is interpreted as a

(generalized) length of the boundary of this component, and the point measure $\mathcal{N}_{W_*+\delta}$ yields information about the other components of the complement of the ball $B(x_*, \delta)$.

In the next proposition, we use the following notation: If \mathcal{N} is a point measure on the space of snake trajectories, $M(\mathcal{N})$ denotes the infimum of the quantities $W_*(\omega)$ over all atoms ω of \mathcal{N} .

Proposition 12. *Under the probability measure $\mathbb{N}_0^{[-\delta]}$, $\text{tr}_{W_*+\delta}(W)$ and $\mathcal{N}_{W_*+\delta}$ are independent conditionally given $\mathcal{Z}_{W_*+\delta}$, and the conditional distribution of $\mathcal{N}_{W_*+\delta}$ given $\mathcal{Z}_{W_*+\delta}$ is that of a Poisson point measure \mathcal{N} with intensity $\mathcal{Z}_{W_*+\delta} \cdot \mathbb{N}_0$ conditioned to have $M(\mathcal{N}) = -\delta$. If f and F are nonnegative measurable functions defined respectively on \mathbb{R}_+ and on \mathcal{S}_0 , we have*

$$\mathbb{N}_0\left(\mathbf{1}_{\{W_* < -\delta\}} f(\mathcal{Z}_{W_*+\delta}) F(\text{tr}_{W_*+\delta}(W))\right) = 3\delta^{-3} \int_{-\infty}^0 db \mathbb{N}_0\left(\mathcal{Z}_b \exp\left(-\frac{3\mathcal{Z}_b}{2\delta^2}\right) f(\mathcal{Z}_b) F(\text{tr}_b(W))\right).$$

Remark. If \mathcal{N} is a Poisson point measure with intensity $z \mathbb{N}_0$, it is straightforward to define the conditional distribution of \mathcal{N} given that $M(\mathcal{N}) = -\delta$, for instance as the limit when $\varepsilon \rightarrow 0$ of the law of \mathcal{N} given that $-\delta - \varepsilon < M(\mathcal{N}) < -\delta$ (note that formula (12) readily gives the density of $M(\mathcal{N})$ — see the proof below). Indeed, properties of Poisson measures show that this conditional distribution is the law of the sum of a Poisson point measure with intensity $z \mathbb{N}_0(\cdot \cap \{W_* > -\delta\})$ and the Dirac mass at an independent random snake trajectory distributed according to $\mathbb{N}_0(\cdot \mid W_* = -\delta)$ (the conditional distribution $\mathbb{N}_0(\cdot \mid W_* = -\delta)$ is studied in [34]).

Proof. Let f and F be as in the statement, and also assume that f and F are bounded and continuous, and that $F(\omega) = 0$ if $W_*(\omega) > -\beta$ or $W_*(\omega) < -A$, for some $\beta, A > 0$. Let Φ be a bounded nonnegative continuous function on \mathcal{S}_0 , such that $\Phi(\omega) = 0$ if $\sup\{|\widehat{W}_s(\omega)| : s \geq 0\} \leq \alpha$, for some $\alpha > 0$. Set

$$G(\mathcal{N}_b) = \exp\left(-\int \mathcal{N}_b(d\omega) \Phi(\omega)\right).$$

Then,

$$\begin{aligned} & \mathbb{N}_0\left(\mathbf{1}_{\{W_* < -\delta\}} f(\mathcal{Z}_{W_*+\delta}) F(\text{tr}_{W_*+\delta}(W)) G(\mathcal{N}_{W_*+\delta})\right) \\ &= \lim_{\varepsilon \rightarrow 0} \frac{1}{\varepsilon} \mathbb{N}_0\left(\mathbf{1}_{\{W_* < -\delta - \varepsilon\}} \int_{W_*+\delta}^{W_*+\delta+\varepsilon} db f(\mathcal{Z}_b) F(\text{tr}_b(W)) G(\mathcal{N}_b)\right). \end{aligned}$$

To justify this, we observe that, \mathbb{N}_0 a.e. on $\{W_* < -\delta\}$, as $b \downarrow W_* + \delta$, we have $\mathcal{Z}_b \rightarrow \mathcal{Z}_{W_*+\delta}$ (by the right-continuity of $b \mapsto \mathcal{Z}_b$), $\text{tr}_b(W) \rightarrow \text{tr}_{W_*+\delta}(W)$ (see Lemma 11 in [2]), and $G(\mathcal{N}_b) \rightarrow G(\mathcal{N}_{W_*+\delta})$ (we leave the verification of the last convergence as an exercise for the reader).

We next observe that, for $\varepsilon > 0$ small,

$$\begin{aligned} & \mathbb{N}_0\left(\mathbf{1}_{\{W_* < -\delta - \varepsilon\}} \int_{W_*+\delta}^{W_*+\delta+\varepsilon} db f(\mathcal{Z}_b) F(\text{tr}_b(W)) G(\mathcal{N}_b)\right) \\ &= \int_{-\infty}^0 db \mathbb{N}_0\left(\mathbf{1}_{\{b - \delta - \varepsilon < W_* < b - \delta\}} f(\mathcal{Z}_b) F(\text{tr}_b(W)) G(\mathcal{N}_b)\right). \end{aligned}$$

Fix $b < 0$. By applying the special Markov property (see e.g. [2, Proposition 13]) to the interval (b, ∞) , we get

$$\begin{aligned} & \mathbb{N}_0\left(\mathbf{1}_{\{b - \delta - \varepsilon < W_* < b - \delta\}} f(\mathcal{Z}_b) F(\text{tr}_b(W)) G(\mathcal{N}_b)\right) \\ &= \mathbb{N}_0\left(f(\mathcal{Z}_b) F(\text{tr}_b(W)) \mathbb{E}_{(\mathcal{Z}_b)}\left[G(\mathcal{N}) \mathbf{1}_{\{-\delta - \varepsilon < M(\mathcal{N}) < -\delta\}}\right]\right), \end{aligned}$$

where, under the probability measure $\mathbb{P}_{(z)}$ (for any $z \geq 0$), \mathcal{N} is a Poisson point measure with intensity $z \mathbb{N}_0$.

We have thus obtained

$$\begin{aligned} & \mathbb{N}_0\left(\mathbf{1}_{\{W_* < -\delta\}} f(\mathcal{Z}_{W_*+\delta}) F(\text{tr}_{W_*+\delta}(W)) G(\mathcal{N}_{W_*+\delta})\right) \\ &= \lim_{\varepsilon \rightarrow 0} \int_{-\infty}^0 db \mathbb{N}_0\left(f(\mathcal{Z}_b) F(\text{tr}_b(W)) \frac{1}{\varepsilon} \mathbb{E}_{(\mathcal{Z}_b)}\left[G(\mathcal{N}) \mathbf{1}_{\{-\delta-\varepsilon < M(\mathcal{N}) < -\delta\}}\right]\right). \end{aligned} \quad (32)$$

At this point, we use (12) to get that the distribution of $M(\mathcal{N})$ under $\mathbb{P}_{(z)}$ is given (for $z > 0$) by

$$\mathbb{P}_{(z)}(M(\mathcal{N}) > -y) = \exp\left(-\frac{3z}{2y^2}\right)$$

for every $y > 0$, and thus the density of $M(\mathcal{N})$ under $\mathbb{P}_{(z)}$ is

$$3z |y|^{-3} \exp\left(-\frac{3z}{2y^2}\right) \mathbf{1}_{\{y < 0\}}.$$

As explained in the remark following the statement of the proposition, we have then, for every $z > 0$,

$$\frac{1}{\varepsilon} \mathbb{E}_{(z)}\left[G(\mathcal{N}) \mathbf{1}_{\{-\delta-\varepsilon < M(\mathcal{N}) < -\delta\}}\right] \xrightarrow{\varepsilon \rightarrow 0} 3z \delta^{-3} \exp\left(-\frac{3z}{2\delta^2}\right) \mathbb{E}_{(z)}^\delta[G(\mathcal{N})],$$

where, under $\mathbb{P}_{(z)}^\delta$, \mathcal{N} is a Poisson point measure with intensity $z \mathbb{N}_0$, conditioned to have $M(\mathcal{N}) = -\delta$.

We can now pass to the limit $\varepsilon \rightarrow 0$ in the right-hand side of (32), recalling our assumptions on F to justify dominated convergence. It follows that

$$\begin{aligned} & \mathbb{N}_0\left(\mathbf{1}_{\{W_* < -\delta\}} f(\mathcal{Z}_{W_*+\delta}) F(\text{tr}_{W_*+\delta}(W)) G(\mathcal{N}_{W_*+\delta})\right) \\ &= 3 \delta^{-3} \int_{-\infty}^0 db \mathbb{N}_0\left(f(\mathcal{Z}_b) F(\text{tr}_b(W)) \mathcal{Z}_b \exp\left(-\frac{3\mathcal{Z}_b}{2\delta^2}\right) \mathbb{E}_{(\mathcal{Z}_b)}^\delta[G(\mathcal{N})]\right). \end{aligned} \quad (33)$$

If we replace G by $G' = 1$ and f by the function $z \mapsto f(z) \mathbb{E}_{(z)}^\delta[G(\mathcal{N})]$, we get that

$$\begin{aligned} & \mathbb{N}_0\left(\mathbf{1}_{\{W_* < -\delta\}} f(\mathcal{Z}_{W_*+\delta}) F(\text{tr}_{W_*+\delta}(W)) G(\mathcal{N}_{W_*+\delta})\right) \\ &= \mathbb{N}_0\left(\mathbf{1}_{\{W_* < -\delta\}} f(\mathcal{Z}_{W_*+\delta}) F(\text{tr}_{W_*+\delta}(W)) \mathbb{E}_{(\mathcal{Z}_{W_*+\delta})}^\delta[G(\mathcal{N})]\right). \end{aligned}$$

This is enough to conclude that, under $\mathbb{N}_0(\cdot \mid W_* < -\delta)$, $\mathcal{N}_{W_*+\delta}$ is independent of $\text{tr}_{W_*+\delta}(W)$ conditionally given $\mathcal{Z}_{W_*+\delta}$, and its conditional distribution is as described in the proposition. Finally, the last assertion of the proposition is the special case $G = 1$ in (33). \square

Corollary 13. *The quantity $\mathcal{Z}_{W_*+\delta}$ is distributed under $\mathbb{N}_0^{[-\delta]}$ according to the Gamma distribution with parameter $\frac{1}{2}$ with density*

$$z \mapsto \frac{1}{\delta} \sqrt{\frac{3}{2\pi z}} \exp\left(-\frac{3z}{2\delta^2}\right).$$

Proof. We specialize the formula given in Proposition 12 to the case $F = 1$ and $f(z) = e^{-\lambda z}$ with $\lambda > 0$, to get

$$\mathbb{N}_0\left(\mathbf{1}_{\{W_* < -\delta\}} \exp(-\lambda \mathcal{Z}_{W_*+\delta})\right) = 3\delta^{-3} \int_{-\infty}^0 db \mathbb{N}_0\left(\mathcal{Z}_b \exp\left(-\lambda \mathcal{Z}_b - \frac{3\mathcal{Z}_b}{2\delta^2}\right)\right). \quad (34)$$

We compute the right-hand side of the last display. By formula (6) in [19], for every $x > 0$,

$$\mathbb{N}_0(1 - e^{-\lambda \mathcal{Z}_{-x}}) = \left(\lambda^{-1/2} + \sqrt{\frac{2}{3}} x \right)^{-2}.$$

Differentiating with respect to λ gives

$$\mathbb{N}_0(\mathcal{Z}_{-x} e^{-\lambda \mathcal{Z}_{-x}}) = \left(1 + x \sqrt{\frac{2\lambda}{3}} \right)^{-3}.$$

It then follows from (34) that

$$\mathbb{N}_0\left(\mathbf{1}_{\{W_* < -\delta\}} \exp(-\lambda \mathcal{Z}_{W_* + \delta})\right) = 3\delta^{-3} \int_0^\infty dx \left(1 + x \sqrt{\delta^{-2} + \frac{2\lambda}{3}} \right)^{-3} = \frac{3}{2\delta^3} \frac{1}{\sqrt{\delta^{-2} + \frac{2\lambda}{3}}}.$$

Since $\mathbb{N}_0(W_* < -\delta) = 3/(2\delta^2)$, we get

$$\mathbb{N}_0\left(\exp(-\lambda \mathcal{Z}_{W_* + \delta}) \mid W_* < -\delta\right) = \sqrt{\frac{\delta^{-2}}{\delta^{-2} + \frac{2\lambda}{3}}},$$

giving the stated result. □

5.2 The positive excursion measure

The underlying idea of the results presented in Sections 3.6 and 3.7 is the observation that scaling limits of random quadrangulations of the sphere can be described by the Brownian snake under its excursion measure. The main motivation of the present work is to show that the scaling limit of quadrangulations with a boundary can be described similarly by the Brownian snake under its “positive excursion measure”. We now give a brief presentation of this positive excursion measure, referring to [2] for more details.

Let \mathcal{S}_0^+ stand for the set of all snake trajectories $\omega \in \mathcal{S}_0$ such that ω_s takes values in \mathbb{R}_+ for every $s \geq 0$, and, for every $\delta > 0$, let $\mathcal{S}^{(\delta)}$ be the set of all $\omega \in \mathcal{S}$ such that $\sup_{s \geq 0} (\sup_{t \in [0, \zeta_s(\omega)]} |\omega_s(t)|) \geq \delta$. There exists a σ -finite measure \mathbb{N}_0^* on \mathcal{S} , which is supported on \mathcal{S}_0^+ , and gives finite mass to the sets $\mathcal{S}^{(\delta)}$ for every $\delta > 0$, such that

$$\mathbb{N}_0^*(G) = \lim_{\varepsilon \rightarrow 0} \frac{1}{\varepsilon} \mathbb{N}_\varepsilon(G(\text{tr}_0(W))),$$

for every bounded continuous function G on \mathcal{S} that vanishes on $\mathcal{S} \setminus \mathcal{S}^{(\delta)}$ for some $\delta > 0$ (see [2, Theorem 23]). Under \mathbb{N}_0^* , each of the paths W_s , $0 < s < \sigma$, starts from 0, then stays positive during some time interval $(0, \alpha)$, and is stopped immediately when it returns to 0, if it does return to 0.

We will use the re-rooting representation of the positive excursion measure. Recall our notation $W^{[r]}$ for the snake trajectory W “re-rooted at r ” (see Section 3.2). The following result is a consequence of [2, Theorem 28].

Theorem 14. *For any nonnegative measurable function G on \mathcal{S} ,*

$$\mathbb{N}_0^*\left(\int_0^\sigma dr G(W^{[r]})\right) = 2 \int_{-\infty}^0 dx \mathbb{N}_0\left(\mathcal{Z}_x G(\text{tr}_x(W))\right).$$

Since the definition of the exit measure \mathcal{Z}_x makes sense under \mathbb{N}_0 , for every $x < 0$, the identity of the previous theorem makes it possible to also define the exit measure at 0 under \mathbb{N}_0^* (see [2, Section 6] for details of the construction): To avoid confusion, we will write \mathcal{Z}_0^* for this exit measure at 0 under \mathbb{N}_0^* . Roughly speaking, \mathcal{Z}_0^* “counts” the number of paths W_s that return to 0. The identity of Theorem 14 then implies that we have also, for any nonnegative measurable function φ on $[0, \infty)$,

$$\mathbb{N}_0^* \left(\int_0^\sigma dr \varphi(\mathcal{Z}_0^*) G(W^{[r]}) \right) = 2 \int_{-\infty}^0 dx \mathbb{N}_0 \left(\mathcal{Z}_x \varphi(\mathcal{Z}_x) G(\text{tr}_x(W)) \right). \quad (35)$$

By [2, Proposition 33], we can make sense of the conditional probability measures $\mathbb{N}_0^{*,z} = \mathbb{N}_0^*(\cdot \mid \mathcal{Z}_0^* = z)$, and we have

$$\mathbb{N}_0^* = \sqrt{\frac{3}{2\pi}} \int_0^\infty dz z^{-5/2} \mathbb{N}_0^{*,z}. \quad (36)$$

Proposition 15. *Let $\delta > 0$. For every nonnegative measurable function F on the space of snake trajectories, for every $z > 0$, we have*

$$\mathbb{N}_0^{[-\delta]} \left(F(\text{tr}_{W_*+\delta}(W)) \mid \mathcal{Z}_{W_*+\delta} = z \right) = z^{-2} \mathbb{N}_0^{*,z} \left(\int_0^\sigma dr F(W^{[r]}) \right).$$

In particular, and this will be important for us, the conditional distribution of $\text{tr}_{W_*+\delta}(W)$ given $\mathcal{Z}_{W_*+\delta} = z$ does not depend on δ .

Proof. Let φ be a nonnegative measurable function on $[0, \infty)$. Recalling that $\mathbb{N}_0(W_* < -\delta) = 3/(2\delta^2)$, we use the formula of Proposition 12, and then (35), to write

$$\begin{aligned} \mathbb{N}_0^{[-\delta]} \left(F(\text{tr}_{W_*+\delta}(W)) \varphi(\mathcal{Z}_{W_*+\delta}) \right) &= \frac{2}{\delta} \int_{-\infty}^0 db \mathbb{N}_0 \left(\mathcal{Z}_b \exp\left(-\frac{3\mathcal{Z}_b}{2\delta^2}\right) \varphi(\mathcal{Z}_b) F(\text{tr}_b(W)) \right) \\ &= \frac{1}{\delta} \mathbb{N}_0^* \left(\int_0^\sigma dr F(W^{[r]}) \exp\left(-\frac{3\mathcal{Z}_0^*}{2\delta^2}\right) \varphi(\mathcal{Z}_0^*) \right) \\ &= \frac{1}{\delta} \sqrt{\frac{3}{2\pi}} \int_0^\infty \frac{dz}{z^{5/2}} \exp\left(-\frac{3z}{2\delta^2}\right) \varphi(z) \mathbb{N}_0^{*,z} \left(\int_0^\sigma dr F(W^{[r]}) \right) \end{aligned} \quad (37)$$

using (36). On the other hand, if we set

$$G(\mathcal{Z}_{W_*+\delta}) = \mathbb{N}_0^{[-\delta]} \left(F(\text{tr}_{W_*+\delta}(W)) \mid \mathcal{Z}_{W_*+\delta} \right),$$

we have

$$\begin{aligned} \mathbb{N}_0^{[-\delta]} \left(F(\text{tr}_{W_*+\delta}(W)) \varphi(\mathcal{Z}_{W_*+\delta}) \right) &= \mathbb{N}_0^{[-\delta]} \left(G(\mathcal{Z}_{W_*+\delta}) \varphi(\mathcal{Z}_{W_*+\delta}) \right) \\ &= \frac{1}{\delta} \sqrt{\frac{3}{2\pi}} \int_0^\infty \frac{dz}{\sqrt{z}} \exp\left(-\frac{3z}{2\delta^2}\right) G(z) \varphi(z) \end{aligned} \quad (38)$$

by Corollary 13. By comparing (37) and (38), we get

$$G(z) = z^{-2} \mathbb{N}_0^{*,z} \left(\int_0^\sigma dr F(W^{[r]}) \right)$$

as stated. □

Remark. By [2, Proposition 31], the conditional density of σ under \mathbb{N}_0^* and knowing $\mathcal{Z}_0^* = z$ is

$$f_z(s) = \frac{1}{\sqrt{2\pi}} z^3 s^{-3/2} \exp\left(-\frac{z^2}{2s}\right)$$

so that

$$\mathbb{N}_0^{*,z}(\sigma) = \frac{1}{\sqrt{2\pi}} z^3 \int_0^\infty \frac{ds}{s^{3/2}} \exp\left(-\frac{z^2}{2s}\right) = \frac{z^2}{\sqrt{2\pi}} \times \sqrt{2} \int_0^\infty \frac{du}{\sqrt{u}} e^{-u} = z^2$$

which is consistent with the case $F = 1$ in Proposition 15.

6 The lazy hull process

6.1 Gluing a quadrangulation with a general boundary in a face with a simple boundary

Consider a rooted planar map m with a distinguished face f of degree $2k$, for some $k \geq 1$. We assume that the boundary of f is simple and that there is a distinguished oriented edge e on the boundary of f , such that the face f lies on the left of e . Suppose then that q is a rooted (but not pointed) quadrangulation with a (general) boundary of perimeter $2k$. Recall that the root of q belongs to the boundary and that the outer face lies on the right of the root edge. There is then a unique way of gluing the quadrangulation q inside the distinguished face f of m , in such a way that the boundaries of f and q are glued together, and the root edge of q is glued to e . The construction should be clear from Fig.3.

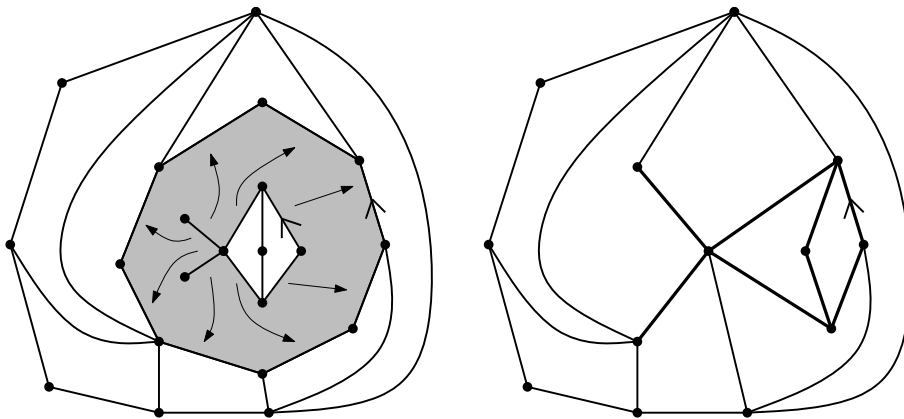


Figure 3: Left, the planar map m with the distinguished face f of degree 8 in grey, and inside f the quadrangulation q with a boundary of perimeter 8. The arrows indicate how the edges of the boundary of q are glued to the edges of the boundary of f . Right, the planar map obtained after the gluing operation.

6.2 The lazy peeling

We will now describe an algorithm due to Budd [12] that can be used to generate a Boltzmann quadrangulation. This algorithm is called the lazy peeling. We content ourselves with the properties that are needed in our applications, and refer to [12] and [18] for more details. The main reason why we use the lazy peeling algorithm rather than the standard peeling (used in

[20] for instance) is the fact that we can view a Boltzmann quadrangulation as obtained by gluing to its lazy hull (of a certain radius) a quadrangulation with a general boundary to which we may apply the convergence to the Brownian disk derived in [10]. See Proposition 16 below.

To describe the algorithm, we need to introduce quadrangulations with a simple boundary, for which we make a slightly different convention than in the case of a general boundary: A (rooted) quadrangulation with a simple boundary of size $2k$ ($k \geq 1$) is a rooted planar map such that all faces have degree 4 except for one distinguished face of degree $2k$ (the outer face) whose boundary is simple — note that, in contrast with Section 4.1, we do not require that the root edge belongs to the boundary. We may assume that quadrangulations with a simple boundary are drawn in the plane so that the outer face is the infinite one, and then it makes sense to explore the boundary in clockwise order or in counterclockwise order.

The lazy peeling algorithm produces a finite sequence $(q_p)_{0 \leq p \leq K}$, such that, for $0 \leq p \leq K - 1$, q_k is a (rooted) quadrangulation with a *simple* boundary of perimeter $2L_p$, with $L_p \geq 1$, and q_K is a rooted and pointed planar quadrangulation. To initiate the process, q_0 is the unique quadrangulation with a simple boundary of length 4 and a single inner face.

Then suppose that at step p , we have $q_p = q$, where q is a quadrangulation with a *simple* boundary of perimeter $2L$, $L \geq 1$. We construct q_{p+1} in the following way. We choose an edge e of the boundary of q , to be called the “peeled edge” at step $p + 1$, and then:

- (A) Either we glue a quadrangle to e , so that q_{p+1} has a simple boundary of perimeter $2(L+1)$. The root edge of q_{p+1} is the same as the root edge of q_p .

Or, for some $j \in \{0, 1, \dots, L - 1\}$:

- (B_j) We glue the edge e to the edge e' of the boundary of q such that there are $2j$ edges of the boundary between e and e' in clockwise order. After this gluing the edges that were in the boundary of q (except e and e') now bound two faces of respective degrees $2j$ and $2(L - 1 - j)$. Following the device explained in Section 6.1, we then glue a quadrangulation \tilde{q} with a general boundary of size $2j$ in the face of degree $2j$ (bounded by the edges that were in the boundary of q between e and e' in clockwise order). In this way we obtain a quadrangulation with a simple boundary of size $2(L - 1 - j)$, which is q_{p+1} . The root edge of q_{p+1} is the same as the root edge of q_p .

- (B'_j) Or we do the same as in (B_j) except that clockwise is replaced by counterclockwise.

See Fig. 4 for an illustration of the different cases.

The preceding prescriptions have to be interpreted suitably in the two particular cases $j = 0$ and $j = L - 1$ of (B_j) or (B'_j).

- If $j = 0$, then we do not need to glue a quadrangulation \tilde{q} as explained above: in that case, we are just gluing together two adjacent edges.
- If $j = L - 1$, then q_{p+1} has a boundary of size 0, which is interpreted by saying that q_{p+1} is a rooted planar quadrangulation. In that event, we take $K = p + 1$ and the algorithm terminates. We in fact view q_K as a rooted and pointed quadrangulation, where the distinguished vertex v is chosen as follows: in the last step of the construction, v is the tail of e , assuming that e is oriented clockwise in case (B_j), counterclockwise in case (B'_j) — v is also the unique vertex incident to both e and e' , unless the length of the boundary is 2 before the last step.

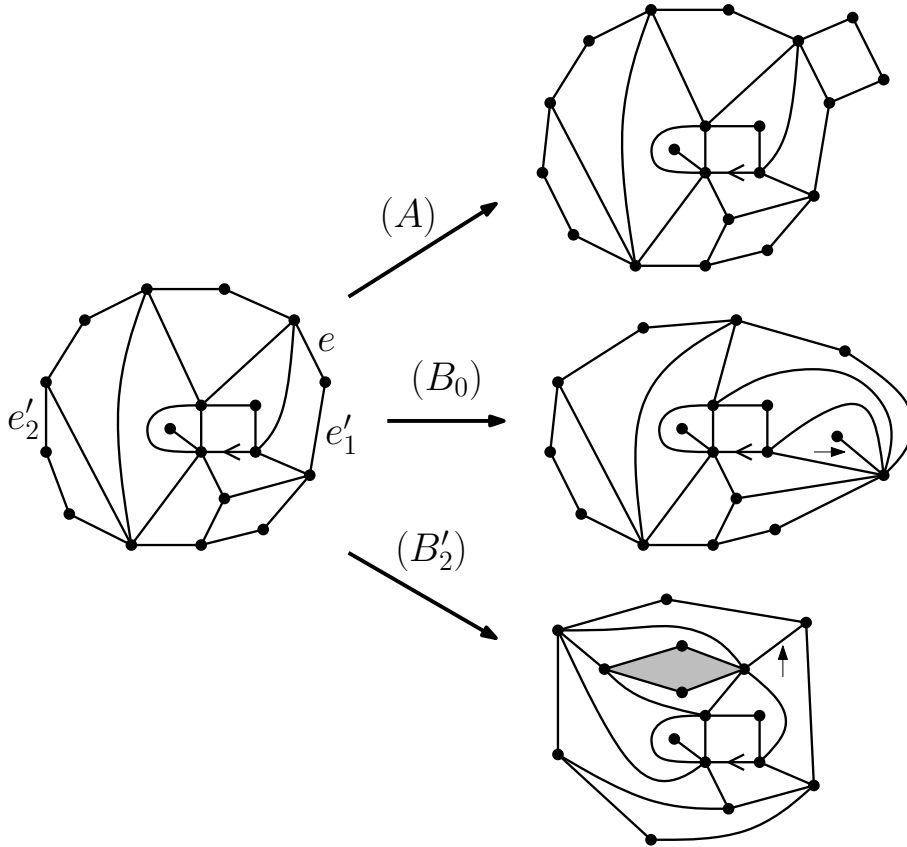


Figure 4: A few possible steps in the lazy peeling algorithm. The peeled edge is the edge e on the left side of the figure. In case (A) one glues a new quadrangle to e . In case (B_0) , e is simply glued (in “clockwise order”) to the edge e'_1 . In case (B'_2) , e is glued in counterclockwise order to the edge e'_2 . In the latter case, the shaded region, whose (simple) boundary corresponds to the 4 edges between e and e'_2 in the left side, has to be filled in by a quadrangulation with a (general) boundary of size 4. In cases (B_0) and B'_2 , the “glued edge” is indicated by a small arrow in the right side.

Finally, we observe that, in case (B_j) or (B'_j) and when $1 \leq j \leq L - 1$, the gluing of the quadrangulation \tilde{q} in the face of degree $2j$ requires that we specify a distinguished edge on the boundary of this face, but this can be made in a prescribed manner whose choice is unimportant in the following discussion.

We now need to specify the probabilities of the different choices that are made in the preceding algorithm, and to this end we introduce a few definitions. We set, for every $\ell \geq 0$,

$$h^\downarrow(\ell) = 2^{-2\ell} \binom{2\ell}{\ell},$$

and

$$p_1 = \frac{2}{3}, \quad p_{-i} = 2^{-2i+1} \frac{(2i-2)!}{(i-1)!(i+1)!}, \quad \text{for } i = 1, 2, \dots$$

If we also take $p_0 = 0$ and $p_i = 0$ for every integer $i \geq 2$, elementary calculations show that the

collection $(p_i)_{i \in \mathbb{Z}}$ defines a probability distribution on \mathbb{Z} with mean 0. In particular,

$$\frac{1}{2} \sum_{i=1}^{\infty} i p_{-i} = \frac{1}{3}. \quad (39)$$

To specify the transition probabilities of the peeling algorithm, we first need to say how the peeled edge at step $p + 1$ is chosen: At the present time, this choice can be made in an unimportant manner depending only on q_p . Then, conditionally on q_0, \dots, q_p , and given that q_p has boundary of size $2L$, the event (A) occurs with probability

$$p_1^{(L)} := \frac{h^\downarrow(L+1)}{h^\downarrow(L)} p_1 = \frac{1}{3} \frac{2L+1}{L+1},$$

and for $0 \leq j \leq L-1$, either of the events (B_j) or (B'_j) occurs with probability

$$\frac{1}{2} p_{-j-1}^{(L)} := \frac{1}{2} \frac{h^\downarrow(L-j-1)}{h^\downarrow(L)} p_{-j-1}$$

(one can check [12, 18] that $p_1^{(L)} + \sum_{j=0}^{L-1} p_{-j-1}^{(L)} = 1$). Furthermore, the quadrangulation \tilde{q} is chosen uniformly at random in the set of all (unpointed) rooted quadrangulations with a boundary of size $2j$. It follows from these prescriptions that the half-perimeter of q_p evolves like a Markov chain on \mathbb{Z}_+ , which is stopped at the time K when it hits 0. The property $K < \infty$ a.s. (the algorithm terminates in finite time) can be derived from the fact that the half-perimeter process is a random walk with jump distribution $(p_i)_{i \in \mathbb{Z}}$ conditioned to hit zero before taking negative values (and stopped at that time): See the comments following Lemma 1 in [12].

If we perform the lazy peeling algorithm according to these probabilities, the quadrangulation q_K that we obtain is a (rooted and pointed) Boltzmann quadrangulation [12, 18]. The key property that we will use is the following proposition, which is essentially a special case of [12, Proposition 1].

Proposition 16. *Let T be a random variable with nonnegative integer values. Assume that $T \leq K$ and that T is a stopping time of the filtration generated by $(q_{n \wedge K})_{n \geq 0}$.*

Then, conditionally on the event $\{T < K\}$ and on q_T , q_K has the same distribution as the quadrangulation obtained by gluing to the outer face of q_T an independent Boltzmann (pointed) quadrangulation \tilde{q} with a (general) boundary of size equal to the perimeter of q_T , with the convention that the root edge of the resulting map is the same as the root edge of q_T and the distinguished vertex is the same as in the quadrangulation \tilde{q} .

Again, for the gluing mentioned in the proposition to make sense, we should specify an edge of the boundary of q_T . The choice of this edge can however be made in an arbitrary deterministic manner given q_T , and then \tilde{q} is uniquely determined, which will be important for our purposes.

Peeling algorithm for the UIPQ. A variant of the preceding algorithm gives rise to the UIPQ or Uniform Infinite Planar Quadrangulation. We just replace the function $h^\downarrow(\ell)$ by

$$h^\uparrow(\ell) = \ell h^\downarrow(\ell)$$

in the definition of the probabilities of the different steps. Then the algorithm never stops (this is clear since $h^\uparrow(0) = 0$ and thus, with the previous notation, the cases (B_j) or (B'_j) with $j = L-1$ never occur). Furthermore, the quadrangulation q_p converges locally a.s. to an infinite random planar map $Q^{(\infty)}$ which is the UIPQ. See [12, Section 5] or [18, Section 4.2] for more details in a more general setting. Note that $Q^{(\infty)}$ has a root edge but no distinguished vertex. In that case, the Markov chain corresponding to the half-perimeter of q_p is transient.

6.3 Peeling by layers

In the peeling algorithm described above, the peeled edge at step $p + 1$ can be chosen on the boundary of q_p in an arbitrary way (depending on q_p). We will now describe a specific choice of the peeled edges, which produces the so-called peeling by layers. This will lead us to define a sequence $\mathcal{Q}_1, \mathcal{Q}_2, \dots, \mathcal{Q}_\Xi$ of quadrangulations with a simple boundary, where $\Xi \geq 0$ is a (random) integer.

To simplify the presentation in this section, we call *label* of a vertex of the boundary of q_p its graph distance (in q_p) from the root vertex. We say that an edge e of the boundary of q_p is of type $(i, i + 1)$, resp. $(i + 1, i)$, if the labels of its ends listed in clockwise order around the boundary are i and $i + 1$, resp. $i + 1$ and i .

Let us turn to the description of the peeling by layers algorithm. The choice of the peeled edge at each step will be designed in such a way that, for every $0 \leq p < K$, there exists an integer $i \geq 0$ such that

- (a) all vertices of the boundary of q_p have label $i, i + 1$ or $i + 2$.
- (b) there are vertices of the boundary with label i ;
- (c) the edges of the boundary of type $(i + 1, i + 2)$ or $(i + 2, i + 1)$, if any, form a connected subset of the boundary.

Supposing that these properties hold at step p , we choose the peeled edge at step $p + 1$ in the following way:

- If there is at least one vertex of the boundary of q_p with label $i + 2$, we peel the first edge of type $(i + 1, i)$ coming after the last vertex with label $i + 2$ in clockwise order;
- If there is no vertex of the boundary of q_p with label $i + 2$, we peel an edge of type $(i + 1, i)$ chosen according to some rule given q_p .

See Fig. 5 for an example.

It is clear that properties (a), (b), (c) stated above will be preserved at each step of the algorithm (though the value of i may increase to $i + 1$ between steps p and $p + 1$) since they hold at the initial step. See Fig. 5 for an example of the evolution of labels on the boundary in the peeling by layers.

Since we start by peeling all edges of type $(1, 0)$, there will exist a first time R_1 at which the boundary contains only edges of type $(1, 2)$ or $(2, 1)$ (unless the algorithm stops before this occurs, in which case we take $R_1 = \infty$). Similarly, for every $i \geq 1$, we let R_i be the first time at which the boundary only contains edges of type $(i, i + 1)$ or $(i + 1, i)$, with the convention that $R_i = \infty$ if this never occurs. Then there exists a (random) integer $\Xi \geq 0$ such that $R_i < \infty$ if and only if $i \leq \Xi$. For $1 \leq i \leq \Xi$, we set $\mathcal{Q}_i = q_{R_i}$, and we also let $Q = q_K$ be the rooted and pointed Boltzmann quadrangulation obtained at the end of the algorithm. As previously ρ and ξ are respectively the root vertex and the distinguished vertex of Q . The following properties then hold.

- (a) The sequence $\mathcal{Q}_1, \mathcal{Q}_2, \dots, \mathcal{Q}_\Xi$ is a deterministic function of Q .
- (b) We have $\Xi \leq d_{\text{gr}}^Q(\rho, \xi) \leq \Xi + 1$.

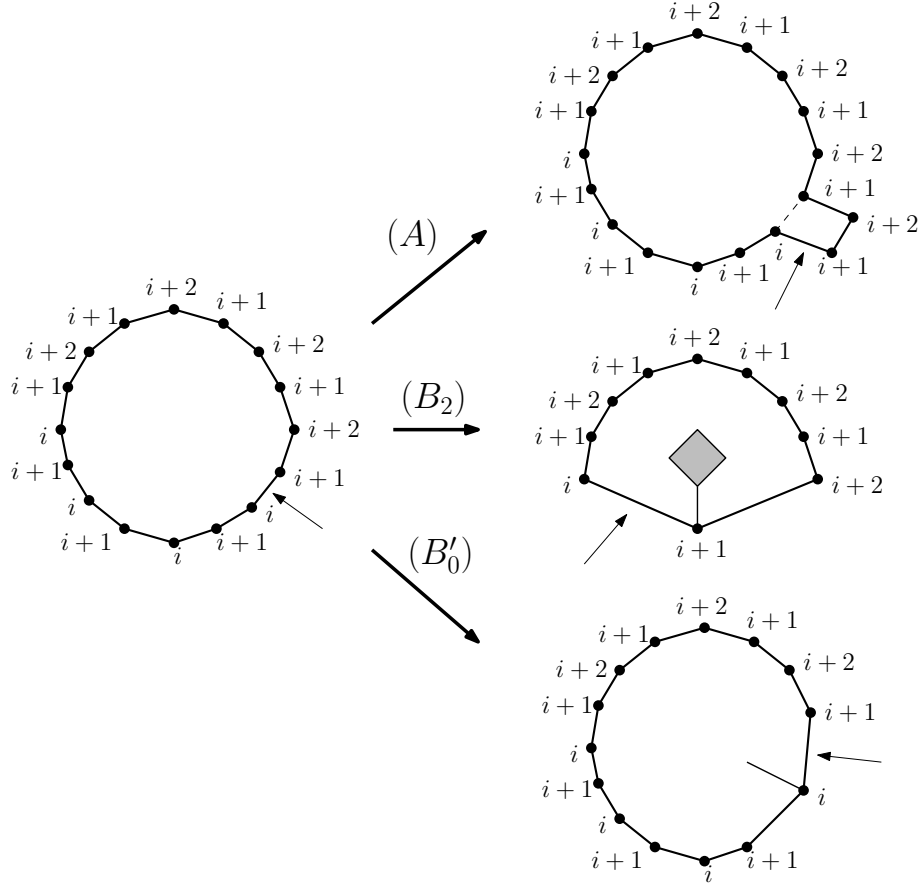


Figure 5: Evolution of labels on the boundary in the peeling by layers in a few cases. The peeled edge is indicated by an arrow in the left side (and in each case in the right side the next edge to be peeled is also marked by an arrow).

- (c) For every $1 \leq i \leq \Xi$, the set of all vertices of \mathcal{Q}_i that do not lie on the boundary is identified canonically to a subset \mathcal{J}_i of $V(Q)$. For any $v \in \mathcal{J}_i$, any path from v to ξ in Q must visit a vertex at graph distance at most i from ρ . Conversely, for any vertex v of Q that does not belong to \mathcal{J}_i , there is a path from v to ξ that visits only vertices whose graph distance from ρ is at least i .

Let us briefly explain why properties (a) and (b) are satisfied (we omit the argument for (c)). Let \mathcal{A} be the set of all dual edges of Q (each edge e of Q corresponds to a dual edge between the faces of Q that are incident to e). Fix $i \geq 1$, and let \mathcal{A}_i consist of all dual edges associated with a primal edge connecting two vertices at graph distance less than or equal to i from the root vertex. Let \mathcal{A}'_i be obtained by adding to \mathcal{A}_i all edges dual to a primal edge that lies in a connected component of the complement of \mathcal{A}_i not containing the distinguished vertex of Q . Then one checks that $i \leq \Xi$ if and only if $\mathcal{A}'_i \neq \mathcal{A}$. Furthermore, if this property holds, \mathcal{Q}_i can be obtained informally by starting from the root face (to the right of the root edge) and then gluing quadrangles along the dual edges in \mathcal{A}'_i , and keeping the “same” root as in Q (as explained in [18, Chapter 3], with each connected subset of \mathcal{A} containing the dual root edge one can associate a rooted planar map by this gluing procedure). To give a less informal construction, view \mathcal{A}'_i as the edge set of a planar map, and let \mathfrak{f} be the face of this planar map containing ξ . Note that the boundary of \mathfrak{f} is a simple cycle \mathcal{C} , and that vertices of this cycle have degree 2 or 4. Choose

a vertex v_0 in the face f , and let \mathcal{A}_i'' be obtained from \mathcal{A}_i' by adding, for each vertex v of degree 2 in \mathcal{C} , two edges connecting v to v_0 in f (of course in such a way that these edges do not cross). Then \mathcal{Q}_i is the dual planar map to the planar map with edge set \mathcal{A}_i'' .

We call \mathcal{Q}_i the lazy hull of radius i in Q . See Fig.6 for an illustration with $i = 3$.

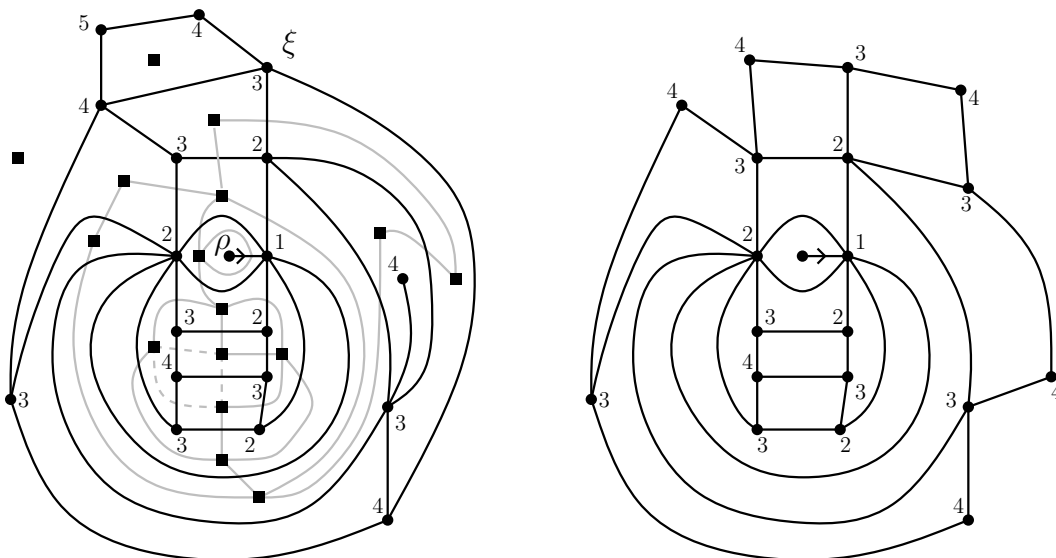


Figure 6: Left, the rooted and pointed planar quadrangulation Q . Vertices of Q are represented by small black disks, while vertices of the dual map (one in each face of Q) are represented by small black squares. The figures correspond to distances from the root vertex of Q . The dual edges in grey form the set \mathcal{A}_3 and \mathcal{A}_3' is obtained by adding to \mathcal{A}_3 the three dashed dual edges. Right, the lazy hull \mathcal{Q}_3 of radius 3. The reader may verify that \mathcal{Q}_3 is determined by the map \mathcal{A}_3' (and the knowledge of the dual root) as explained above.

The UIPQ case. The above considerations also make sense for the peeling algorithm associated with the UIPQ $Q^{(\infty)}$. In that case however, we can make sense of the whole sequence $\mathcal{Q}_1, \mathcal{Q}_2, \dots$ of lazy hulls. The analogs of properties (a) and (c) above remain valid (in (c), “path from v to ξ ” has to be replaced by “path from v to infinity”).

6.4 Asymptotics for the perimeter and volume of hulls

Let Q and $Q^{(\infty)}$ be as previously. For every $1 \leq i \leq \Xi$, we write H_i and V_i respectively for the half-perimeter and volume (number of inner faces) of the lazy hull of radius i in Q . Similarly, for every $i \geq 1$, we write $H_i^{(\infty)}$ and $V_i^{(\infty)}$ respectively for the half-perimeter and volume of the lazy hull of radius i in $Q^{(\infty)}$. By convention, $H_0 = H_0^{(\infty)} = 0$ and $V_0 = V_0^{(\infty)} = 0$.

We let $(\Upsilon_t)_{t \geq 0}$ denote a centered stable Lévy process with index $3/2$ and no positive jumps, whose law is specified by the equality

$$\mathbb{E}[\exp(\lambda \Upsilon_t)] = \exp(2t \lambda^{3/2}),$$

for every $\lambda, t \geq 0$. Write $(\Upsilon_t^\uparrow)_{t \geq 0}$ for the process Υ conditioned to stay positive (see [6, Chapter VII]). Let τ_1, τ_2, \dots be a measurable enumeration of the jump times of Υ^\uparrow , and let $\theta_1, \theta_2, \dots$ be

a sequence of nonnegative i.i.d. random variables with density

$$\frac{1}{\sqrt{2\pi x^5}} \exp\left(-\frac{1}{2x}\right) \quad (40)$$

on $(0, \infty)$. Assume that this sequence is independent of Υ^\uparrow . We then define a process $(\mathcal{V}_t^\uparrow)_{t \geq 0}$ by setting, for every $t \geq 0$,

$$\mathcal{V}_t^\uparrow = \frac{1}{2} \sum_{\{i: \tau_i \leq t\}} (\Delta \Upsilon_{\tau_i}^\uparrow)^2 \theta_i.$$

Proposition 17. *We have the convergence in distribution in the Skorokhod topology*

$$\left(n^{-2}H_{[nt]}^{(\infty)}, n^{-4}V_{[nt]}^{(\infty)}\right)_{t \geq 0} \xrightarrow[n \rightarrow \infty]{(d)} \left(\mathcal{Y}_t^\uparrow, \mathcal{U}_t^\uparrow\right)_{t \geq 0},$$

where the limiting processes are defined by

$$\mathcal{Y}_t^\uparrow := \Upsilon_{\Psi_t}^\uparrow, \quad \mathcal{U}_t^\uparrow := \mathcal{V}_{\Psi_t}^\uparrow,$$

with

$$\Psi_t = \inf \left\{ s \geq 0 : \int_0^s \frac{dr}{\Upsilon_r^\uparrow} > t \right\}.$$

The result of the proposition is very close to similar results proved in [20] (see in particular Theorem 2 in [20]). Unfortunately, it does not seem easy to deduce Proposition 17 from the results of [20], and we postpone the details of the proof to Appendix B below.

Our next goal is to obtain an analog of the previous proposition for the perimeter and volume process of the lazy hull of a Boltzmann quadrangulation under a suitable conditioning. We will derive this result from Proposition 17 by an absolute continuity argument.

Write $(S_k^\downarrow)_{0 \leq k \leq K}$ for the Markov chain giving for every $0 \leq k \leq K$ the half-perimeter of q_k in the peeling algorithm of Section 6.2, with the convention $S_K^\downarrow = 0$, and $(S_k^\uparrow)_{k \geq 0}$ for the analogous Markov chain for the peeling algorithm of the UIPQ described at the end of Section 6.2. We also let $(S_k)_{k \geq 0}$ be a random walk with jump distribution $(p_i)_{i \in \mathbb{Z}}$ started from $S_0 = 2$, and set $T = \inf\{k \geq 0 : S_k \leq 0\}$. Then both functions h^\downarrow and h^\uparrow are harmonic on $\{1, 2, \dots\}$ for the random walk S , as it was first observed by Budd [12, Proposition 3, Corollary 1] (see also formula (3.5) and Lemma 11 in [18]). Furthermore, the form of the transition probabilities in the peeling algorithm shows that S^\downarrow can be viewed as the h^\downarrow -transform of the random walk S killed when it hits \mathbb{Z}_- , meaning more precisely that, for any $n \geq 0$ and any function $F : \mathbb{Z}^{n+1} \rightarrow \mathbb{R}_+$,

$$\mathbb{E}[F(S_0^\downarrow, S_1^\downarrow, \dots, S_n^\downarrow) \mathbf{1}_{\{n \leq K\}}] = \mathbb{E}\left[\frac{h^\downarrow(S_n)}{h^\downarrow(S_0)} F(S_0, S_1, \dots, S_n) \mathbf{1}_{\{n \leq T\}}\right],$$

with the convention $h^\downarrow(i) = 0$ for $i < 0$. Similarly, S^\uparrow can be viewed as the h^\uparrow -transform of the random walk S killed when it hits \mathbb{Z}_- , so that

$$\mathbb{E}[F(S_0^\uparrow, S_1^\uparrow, \dots, S_n^\uparrow)] = \mathbb{E}\left[\frac{h^\uparrow(S_n)}{h^\uparrow(S_0)} F(S_0, S_1, \dots, S_n) \mathbf{1}_{\{n \leq T\}}\right],$$

with the same convention $h^\uparrow(i) = 0$ if $i < 0$ (and we recall that $h^\uparrow(0) = 0$). By comparing the last two displays, and recalling that $h^\uparrow(\ell) = \ell h^\downarrow(\ell)$, we obtain that

$$\mathbb{E}[F(S_0^\downarrow, S_1^\downarrow, \dots, S_n^\downarrow) \mathbf{1}_{\{n < K\}}] = \mathbb{E}\left[\frac{2}{S_n^\uparrow} F(S_0^\uparrow, S_1^\uparrow, \dots, S_n^\uparrow)\right]. \quad (41)$$

In fact, we can reinforce this identity, noting that apart from the choices of cases (A), (B_j) or (B'_j), the other random choices (in particular for the quadrangulations with a simple boundary “filling in the holes”) are made in exactly the same way in the algorithm generating a Boltzmann quadrangulation and in the algorithm for the UIPQ. We get more generally that, for any $n \geq 1$, for any function $F : \mathbb{Z}^{n+1} \rightarrow \mathbb{R}_+$, and for any nonnegative function G_n of the quadrangulations q_1, \dots, q_n obtained in the first n steps,

$$\mathbb{E}[G_n F(S_0^\downarrow, S_1^\downarrow, \dots, S_n^\downarrow) \mathbf{1}_{\{n < K\}}] = \mathbb{E}\left[\frac{2}{S_n^\uparrow} G_n F(S_0^\uparrow, S_1^\uparrow, \dots, S_n^\uparrow)\right].$$

By a standard argument, we can generalize this identity to the case where the integer n is replaced by a stopping time of the discrete filtration generated by $(q_{n \wedge K})_{n \geq 0}$.

The preceding discussion is valid for any peeling algorithm of the type described in Section 6.2, but we now specialize to the peeling by layers of Section 6.3, and we consider the processes $(H_n)_{0 \leq n \leq \Xi}$ and $(V_n)_{0 \leq n \leq \Xi}$. By construction, we have $H_n = S_{R_n}^\downarrow$ for every $0 \leq n \leq \Xi$, and a similar relation links $H^{(\infty)}$ to S^\uparrow . The previous considerations, and the fact that $\{n \leq \Xi\} = \{R_n < K\}$, entail that, for any nonnegative function F on $(\mathbb{Z}^2)^n$,

$$\mathbb{E}[F((H_1, V_1), \dots, (H_n, V_n)) \mathbf{1}_{\{n \leq \Xi\}}] = \mathbb{E}\left[\frac{2}{H_n^{(\infty)}} F((H_1^{(\infty)}, V_1^{(\infty)}), \dots, (H_n^{(\infty)}, V_n^{(\infty)}))\right]. \quad (42)$$

Combining this equality with Proposition 17 leads to the following result.

Proposition 18. *Let $t > 0$. The distribution of the pair of processes*

$$\left(n^{-2}H_{\lfloor ns \rfloor}, n^{-4}V_{\lfloor ns \rfloor}\right)_{0 \leq s \leq t}$$

under the conditional probability $\mathbb{P}(\cdot \mid \Xi \geq \lfloor nt \rfloor)$ converges as $n \rightarrow \infty$ to the law of a pair of processes

$$\left(\mathcal{Y}_s^\downarrow, \mathcal{U}_s^\downarrow\right)_{0 \leq s \leq t}$$

such that, for any nonnegative measurable function F on the Skorokhod space $\mathbb{D}([0, t], \mathbb{R}^2)$,

$$\mathbb{E}\left[F\left(\left(\mathcal{Y}_s^\downarrow, \mathcal{U}_s^\downarrow\right)_{0 \leq s \leq t}\right)\right] = \frac{t^2}{2} \mathbb{E}\left[\frac{1}{\mathcal{Y}_t^\uparrow} F\left(\left(\mathcal{Y}_s^\uparrow, \mathcal{U}_s^\uparrow\right)_{0 \leq s \leq t}\right)\right].$$

Proof. Let F be a bounded continuous function on $\mathbb{D}([0, t], \mathbb{R}^2)$ such that $0 \leq F \leq 1$. By (42),

$$\mathbb{E}\left[F\left(\left(n^{-2}H_{\lfloor ns \rfloor}, n^{-4}V_{\lfloor ns \rfloor}\right)_{0 \leq s \leq t}\right) \mathbf{1}_{\{\Xi \geq \lfloor nt \rfloor\}}\right] = \mathbb{E}\left[\frac{2}{H_{\lfloor nt \rfloor}^{(\infty)}} F\left(\left(n^{-2}H_{\lfloor ns \rfloor}^{(\infty)}, n^{-4}V_{\lfloor ns \rfloor}^{(\infty)}\right)_{0 \leq s \leq t}\right)\right].$$

From Proposition 17, we get

$$\liminf_{n \rightarrow \infty} n^2 \mathbb{E}\left[F\left(\left(n^{-2}H_{\lfloor ns \rfloor}, n^{-4}V_{\lfloor ns \rfloor}\right)_{0 \leq s \leq t}\right) \mathbf{1}_{\{\Xi \geq \lfloor nt \rfloor\}}\right] \geq \mathbb{E}\left[\frac{2}{\mathcal{Y}_t^\uparrow} F\left(\left(\mathcal{Y}_s^\uparrow, \mathcal{U}_s^\uparrow\right)_{0 \leq s \leq t}\right)\right]. \quad (43)$$

On the other hand, we claim that

$$\lim_{n \rightarrow \infty} n^2 \mathbb{P}(\Xi \geq \lfloor nt \rfloor) = \frac{4}{t^2} = \mathbb{E}\left[\frac{2}{\mathcal{Y}_t^\uparrow}\right] \quad (44)$$

To verify this claim, first note that the distribution of \mathcal{Y}_t^\uparrow has density

$$h(z) = \frac{2}{t^3} \sqrt{\frac{z}{\pi}} \exp\left(-\frac{z}{t^2}\right) \quad (45)$$

by [19, Proposition 1.2] (beware that the normalization in [19] is different). The second equality in (44) immediately follows. We then use the following lemma, whose proof is postponed after the end of the proof of Proposition 18.

Lemma 19. *For a rooted and pointed quadrangulation with Boltzmann distribution,*

$$\begin{aligned} \mathbb{P}(\mathrm{d}_{\mathrm{gr}}(\rho, \xi) \geq n) &= \frac{4}{n(n+2)}, & \text{if } n \geq 2, \\ \mathbb{P}(\mathrm{d}_{\mathrm{gr}}(\rho, \xi) \geq 1) &= \frac{5}{6}. \end{aligned}$$

Recalling that $\Xi \leq \mathrm{d}_{\mathrm{gr}}(\rho, \xi) \leq \Xi + 1$, we immediately get from the lemma that we have also

$$\lim_{n \rightarrow \infty} n^2 \mathbb{P}(\Xi \geq n) = 4,$$

which gives the first equality in (44).

Finally, if we combine (43) with the same result with F replaced by $1 - F$, using (44), we get that

$$\lim_{n \rightarrow \infty} n^2 \mathbb{E}\left[F\left(\left(n^{-2}H_{\lfloor ns \rfloor}, n^{-4}V_{\lfloor ns \rfloor}\right)_{0 \leq s \leq t}\right) \mathbf{1}_{\{\Xi \geq \lfloor nt \rfloor\}}\right] = \mathbb{E}\left[\frac{2}{\mathcal{Y}_t^\uparrow} F\left(\left(\mathcal{Y}_s^\uparrow, \mathcal{U}_s^\uparrow\right)_{0 \leq s \leq t}\right)\right].$$

Then we just have to divide by the first equality in (44) to get the desired result. \square

Proof of Lemma 19. We use a version of Schaeffer's bijection which is different from the one presented briefly in Section 3.1 (see e.g. [37] for this other version). Recall from Section 3.1 the definition of a labeled plane tree, and write \mathbb{T}° for the collection of all labeled plane trees having at least one edge (we exclude the case where the tree consists only of its root). Then there is a bijection between the set

$$\bigcup_{n=1}^{\infty} \mathbb{Q}_n^\bullet$$

of all rooted and pointed quadrangulations of the sphere and $\mathbb{T}^\circ \times \{0, 1\}$. Furthermore, if $((\tau, (\ell_u)_{u \in V(\tau)}), \epsilon) \in \mathbb{T}^\circ \times \{0, 1\}$ and q is the associated rooted and pointed quadrangulation, the distance between the root vertex and the distinguished vertex of q is equal to

$$- \min_{u \in V(\tau)} \ell_u + \epsilon.$$

Suppose now that q is a Boltzmann quadrangulation. Then one easily verifies that the associated tree τ is a Galton-Watson tree with geometric offspring distribution with parameter $1/2$ conditioned to have at least one edge, that, conditionally on τ , the labels are chosen uniformly among possible choices, and that $\epsilon = 0$ or 1 with probability $1/2$ independently of $(\tau, (\ell_u)_{u \in V(\tau)})$. By [15, Proposition 2.4], we have, for every integer $n \geq 1$,

$$\mathbb{P}\left(\min_{u \in V(\tau)} \ell_u \leq -n\right) = \frac{4}{(n+1)(n+2)}.$$

It follows that, for $n \geq 2$,

$$\mathbb{P}(d_{\text{gr}}(\rho, \xi) \geq n) = \frac{1}{2} \mathbb{P}\left(\min_{u \in V(\tau)} \ell_u \leq -n\right) + \frac{1}{2} \mathbb{P}\left(\min_{u \in V(\tau)} \ell_u \leq -n+1\right) = \frac{4}{n(n+2)}$$

and similarly $\mathbb{P}(d_{\text{gr}}(\rho, \xi) \geq 1) = (\frac{1}{2} \times \frac{2}{3}) + \frac{1}{2} = \frac{5}{6}$. \square

Remark. Since $\Xi \leq d_{\text{gr}}(\rho, \xi) \leq \Xi + 1$ and we know that $\mathbb{P}(d_{\text{gr}}(\rho, \xi) \geq n) \sim 4/n^2$ as $n \rightarrow \infty$, the result of Proposition 18 remains valid if we replace $\mathbb{P}(\cdot \mid \Xi \geq \lfloor nt \rfloor)$ by $\mathbb{P}(\cdot \mid d_{\text{gr}}(\rho, \xi) \geq \lfloor nt \rfloor)$. We will use such remarks implicitly in what follows.

6.5 Asymptotics for Boltzmann quadrangulations

Our goal in this section is to restate Proposition 18 in a different manner showing that the limiting process can be written as a functional of the Brownian snake, and that the convergence holds jointly with that of Corollary 8. We start with the convergence of the process of volumes of hulls.

Lemma 20. *Let $\delta > 0$. The distribution of $(n^{-2}V_{\lfloor r\sqrt{n} \rfloor})_{0 \leq r \leq \delta}$ under $\mathbb{P}(\cdot \mid d_{\text{gr}}(\rho, \xi) > \delta\sqrt{n})$ converges in the Skorokhod sense to the distribution of the process*

$$\left(\frac{1}{2} \int_0^\sigma ds \mathbf{1}_{\{\underline{W}_s \leq W_* + r\sqrt{3/2}\}}\right)_{0 \leq r \leq \delta}$$

under $\mathbb{N}_0(\cdot \mid W_* < -\delta\sqrt{3/2})$. Furthermore, this convergence holds jointly with that of Corollary 8.

Proof. For every integer $k \leq d_{\text{gr}}(\rho, \xi)$ write \mathcal{H}_k for the collection of all vertices v of Q such that any path from v to ξ visits a vertex whose graph distance from ρ is (less than or) equal to k . Recall also the notation \mathcal{J}_k introduced in property (c) of the lazy hulls in Section 6.3. From the latter property, we have, for every $1 \leq k \leq \Xi$,

$$\mathcal{H}_{k-1} \subset \mathcal{J}_k \subset \mathcal{H}_k.$$

On the other hand, recall the notation $\tilde{\tau}_Q$ for the (re-rooted at ξ) tree associated with Q via Schaeffer's bijection, and notice that vertices of $\tilde{\tau}_Q$ are identified with vertices of Q . As in Section 3.7, write \mathcal{K}_k for the collection of those vertices v of $\tilde{\tau}_Q$ such that the geodesic (in the tree $\tilde{\tau}_Q$) from v to ξ visits at least one vertex with label at most $\tilde{L}_* + k - 1$ (recall the notation \tilde{L}_* for the minimal label on $\tilde{\tau}_Q$). The properties of Schaeffer's bijection recalled in Section 3.1 imply that $\mathcal{K}_k \subset \mathcal{H}_k \subset \mathcal{K}_{k+1} \cup \{\rho\}$, for every $1 \leq k \leq d_{\text{gr}}(\rho, \xi)$.

Let $r \in (0, \delta]$. By Lemma 9, the distribution of $n^{-2}\#\mathcal{K}_{\lfloor r\sqrt{n} \rfloor}$ under $\mathbb{P}(\cdot \mid d_{\text{gr}}(\rho, \xi) > \lfloor \delta\sqrt{n} \rfloor)$ converges as $n \rightarrow \infty$ to the distribution of

$$\frac{1}{2} \int_0^\sigma ds \mathbf{1}_{\{\underline{W}_s \leq W_* + r\sqrt{3/2}\}}$$

under $\mathbb{N}_0(\cdot \mid W_* < -\delta\sqrt{3/2})$, and this convergence holds jointly with that of Corollary 8. By the preceding considerations, this holds also if we replace $\#\mathcal{K}_{\lfloor r\sqrt{n} \rfloor}$ by $\#\mathcal{J}_{\lfloor r\sqrt{n} \rfloor}$. On the other hand, Euler's formula, and the fact that the size of the boundary of the lazy hull of radius $\lfloor r\sqrt{n} \rfloor$ is of order n (by Proposition 18) show that $n^{-2}(\#\mathcal{J}_{\lfloor r\sqrt{n} \rfloor} - V_{\lfloor r\sqrt{n} \rfloor})$ under $\mathbb{P}(\cdot \mid d_{\text{gr}}(\rho, \xi) > \lfloor \delta\sqrt{n} \rfloor)$

tends to 0 in probability. It follows that, for every fixed $r \geq 0$, the distribution of $n^{-2}V_{\lfloor r\sqrt{n} \rfloor}$ under $\mathbb{P}(\cdot \mid d_{\text{gr}}(\rho, \xi) > \lfloor \delta\sqrt{n} \rfloor)$ converges as $n \rightarrow \infty$ to the distribution of

$$\frac{1}{2} \int_0^\sigma ds \mathbf{1}_{\{W_s \leq W_* + r\sqrt{3/2}\}}$$

under $\mathbb{N}_0(\cdot \mid W_* < -\delta\sqrt{3/2})$, and that this convergence holds jointly with that of Corollary 8. Since we already know from Proposition 18 that the distribution of $(n^{-2}V_{\lfloor r\sqrt{n} \rfloor})_{0 \leq r \leq \delta}$ under $\mathbb{P}(\cdot \mid d_{\text{gr}}(\rho, \xi) > \delta\sqrt{n})$ converges in the Skorokhod sense, the desired result follows easily. \square

Proposition 21. *The distribution of $(n^{-1}H_{\lfloor r\sqrt{n} \rfloor}, n^{-2}V_{\lfloor r\sqrt{n} \rfloor})_{0 \leq r \leq \delta}$ under $\mathbb{P}(\cdot \mid d_{\text{gr}}(\rho, \xi) > \delta\sqrt{n})$ converges to the distribution of*

$$\left(\mathcal{Z}_{W_* + r\sqrt{3/2}}, \frac{1}{2} \int_0^\sigma ds \mathbf{1}_{\{W_s \leq W_* + r\sqrt{3/2}\}} \right)_{0 \leq r \leq \delta}$$

under $\mathbb{N}_0(\cdot \mid W_* < -\delta\sqrt{3/2})$. Furthermore, this convergence in distribution holds jointly with that of Corollary 8.

Proof. For every $r \in [0, \delta]$, set

$$\mathcal{X}_r := \frac{1}{2} \int_0^\sigma ds \mathbf{1}_{\{W_s \leq W_* + r\sqrt{3/2}\}}.$$

We first verify that the distribution of $(\mathcal{Z}_{W_* + r\sqrt{3/2}}, \mathcal{X}_r)_{0 \leq r \leq \delta}$ under $\mathbb{N}_0(\cdot \mid W_* < -\delta\sqrt{3/2})$ is the same as the distribution of the process $(\mathcal{Y}_r^\downarrow, \mathcal{U}_r^\downarrow)_{0 \leq r \leq \delta}$. By comparing Proposition 18 and Lemma 20, we already know from that the distribution of $(\mathcal{X}_r)_{0 \leq r \leq \delta}$ under $\mathbb{N}_0(\cdot \mid W_* < -\delta\sqrt{3/2})$ is the same as the distribution of $(\mathcal{U}_r^\downarrow)_{0 \leq r \leq \delta}$.

Let us start by verifying that $(\mathcal{Z}_{W_* + r\sqrt{3/2}})_{0 \leq r \leq \delta}$ (under $\mathbb{N}_0(\cdot \mid W_* < -\delta\sqrt{3/2})$) has the same distribution as $(\mathcal{Y}_r^\downarrow)_{0 \leq r \leq \delta}$. We observe that the process $(\mathcal{Z}_{-r})_{r > 0}$ is Markov under \mathbb{N}_0 with the transition probabilities of the continuous-state branching process (CSBP) with branching mechanism $\psi(u) = \sqrt{8/3}u^{3/2}$ (see e.g. [2, Section 2.5]). By scaling, the same property holds for $(\mathcal{Z}_{-r\sqrt{3/2}})_{r > 0}$ with $\psi(u) = 2u^{3/2}$. Notice that $-W_* = \inf\{r > 0 : \mathcal{Z}_{-r} = 0\}$. It follows (we omit a few details here) that, under $\mathbb{N}_0(\cdot \mid W_* < \delta\sqrt{3/2})$ and conditionally on $\mathcal{Z}_{W_* + \delta\sqrt{3/2}} = z$, the process $(\mathcal{Z}_{W_* + (\delta-r)\sqrt{3/2}})_{0 \leq r \leq \delta}$ is distributed as the CSBP with branching mechanism $\psi(u) = 2u^{3/2}$ started at z and conditioned to become extinct at time δ . Note that, by Corollary 13, the law of $\mathcal{Z}_{W_* + \delta\sqrt{3/2}}$ under $\mathbb{N}_0(\cdot \mid W_* < \delta\sqrt{3/2})$ has density

$$g(z) = \frac{1}{\delta} \sqrt{\frac{1}{\pi z}} \exp\left(-\frac{z^2}{\delta^2}\right).$$

On the other hand, from [19, Proposition 4.4], we also know that conditionally on $\mathcal{Y}_\delta^\uparrow = z$, the process $(\mathcal{Y}_{\delta-r}^\uparrow)_{0 \leq r \leq \delta}$ is distributed as a CSBP with branching mechanism $\psi(u) = 2u^{3/2}$ started at z and conditioned to become extinct at time δ . From the absolute continuity relation in Proposition 18, the same property holds for the process $(\mathcal{Y}_{\delta-r}^\downarrow)_{0 \leq r \leq \delta}$. So to prove that $(\mathcal{Z}_{W_* + (\delta-r)\sqrt{3/2}})_{0 \leq r \leq \delta}$ (under $\mathbb{N}_0(\cdot \mid W_* < -\delta\sqrt{3/2})$) has the same distribution as $(\mathcal{Y}_{\delta-r}^\downarrow)_{0 \leq r \leq \delta}$, it only remains to verify that the density of $\mathcal{Y}_\delta^\downarrow$ is also given by the function g of the last display. But this follows from (45) and the absolute continuity relation in Proposition 18.

From the construction of \mathcal{U}^\uparrow , and Proposition 18, we know that the conditional distribution of $(\mathcal{U}_r^\downarrow)_{0 \leq r \leq \delta}$ given $(\mathcal{Y}_r^\downarrow)_{0 \leq r \leq \delta}$ is that of the process

$$[0, \delta] \ni r \mapsto \frac{1}{2} \sum_{\{i: r_i \in [0, r]\}} (\Delta \mathcal{Y}_{r_i}^\downarrow)^2 \theta_i,$$

where r_1, r_2, \dots is a measurable enumeration of the jumps of \mathcal{Y}^\downarrow , and $\theta_1, \theta_2, \dots$ is a sequence of i.i.d. random variables with density given in (40), which is independent of \mathcal{Y}^\downarrow . We then note that the same property holds for the conditional distribution of $(\mathcal{X}_r)_{0 \leq r \leq \delta}$ given $(\mathcal{Z}_{W_* + r\sqrt{3/2}})_{0 \leq r \leq \delta}$ under $\mathbb{N}_0(\cdot \mid W_* < -\delta\sqrt{3/2})$, as a straightforward consequence of Corollary 4.9 in [19] (alternatively, one could also use [2, Theorem 40]).

We conclude that the distribution of $(\mathcal{Z}_{W_* + r\sqrt{3/2}}, \mathcal{X}_r)_{0 \leq r \leq \delta}$ under $\mathbb{N}_0(\cdot \mid W_* < -\delta\sqrt{3/2})$ is the same as the distribution of the process $(\mathcal{Y}_r^\downarrow, \mathcal{U}_r^\downarrow)_{0 \leq r \leq \delta}$, and thus (by Proposition 18) the convergence stated in Proposition 21 holds.

It remains to prove that this convergence holds jointly with that of Corollary 8. To this end, it is enough to show that, for every $r \in (0, \delta]$, there is a measurable function Φ from $\mathbb{D}([0, \delta], \mathbb{R})$ into \mathbb{R} such that, a.s.,

$$\mathcal{Y}_r^\downarrow = \Phi\left((\mathcal{U}_s^\downarrow)_{0 \leq s \leq \delta}\right).$$

Indeed the same representation then holds for $\mathcal{Z}_{W_* + r\sqrt{3/2}}$ as a function of $(\mathcal{X}_s)_{0 \leq s \leq \delta}$, and since we know that the convergence of Lemma 20 holds jointly with that of Corollary 8, a simple tightness argument will show that the same holds for the convergence of the proposition.

To begin with, consider a process $(\mathcal{V}_t)_{t \geq 0}$ defined exactly as the process $(\mathcal{V}_t^\uparrow)_{t \geq 0}$ of Section 6.4, except that Υ^\uparrow is replaced by the Lévy process Υ (with Lévy measure $(3\sqrt{\pi}/2) |x|^{-5/2} \mathbf{1}_{\{x < 0\}} dx$). Clearly, $(\mathcal{V}_t)_{t \geq 0}$ is a subordinator, and a few lines of calculations show that its Lévy measure is $c_0 y^{-7/4} dy$, where $c_0 := 3.2^{-7/4} \Gamma(3/4)$. Write

$$\phi(\varepsilon) = \int_\varepsilon^\infty c_0 y^{-7/4} dy = \frac{4}{3} c_0 \varepsilon^{-3/4},$$

for every $\varepsilon > 0$. Then, for every fixed $r > 0$ and $\alpha \in (0, r)$,

$$\lim_{\varepsilon \rightarrow 0} \phi(\varepsilon)^{-1} \#\{s \in [r - \alpha, r] : \Delta \mathcal{V}_s > \varepsilon\} = \alpha, \quad \text{a.s.}$$

It is not hard to verify that the above limit holds simultaneously for every $r \geq 0$ and every $\alpha \in (0, r)$ outside a single set of probability zero. Using the absolute continuity relations between the laws of Υ and of Υ^\uparrow , it follows that the previous limit also holds if \mathcal{V} is replaced by \mathcal{V}^\uparrow , simultaneously for every $r > 0$ and every $\alpha \in (0, r)$, a.s. Next recall from Proposition 17 the definition of \mathcal{U}^\uparrow as a time change of \mathcal{V}^\uparrow , with a time change given by

$$\Psi_t = \inf\{s \geq 0 : \int_0^s \frac{dr}{\Upsilon_r^\uparrow} > t\} = \int_0^t dr \mathcal{Y}_r^\uparrow.$$

It follows that we have also

$$\lim_{\varepsilon \rightarrow 0} \phi(\varepsilon)^{-1} \#\{s \in [r - \alpha, r] : \Delta \mathcal{U}_s^\uparrow > \varepsilon\} = \int_{r-\alpha}^r ds \mathcal{Y}_s^\uparrow,$$

for every $r > 0$ and $\alpha \in (0, r)$, a.s. Thanks to the absolute continuity relation in Proposition 18, the preceding limit still holds if the pair $(\mathcal{Y}^\uparrow, \mathcal{U}^\uparrow)$ is replaced by $(\mathcal{Y}^\downarrow, \mathcal{U}^\downarrow)$. Hence, for every

$r \in (0, \delta]$, a.s.,

$$\mathcal{Y}_r^\downarrow = \lim_{\alpha \rightarrow 0} \frac{1}{\alpha} \left(\lim_{\varepsilon \rightarrow 0} \phi(\varepsilon)^{-1} \#\{s \in [r - \alpha, r] : \Delta \mathcal{U}_s^\downarrow > \varepsilon\} \right),$$

which gives the desired representation of \mathcal{Y}_r^\downarrow as a function of $(\mathcal{U}_s^\downarrow)_{0 \leq s \leq \delta}$. This completes the proof. \square

Remark. An argument similar to the end of the preceding proof is used in [13, Section 2.3].

7 Convergence of quadrangulations with glued boundary

The goal of this section is to give a representation of the free Brownian disk with glued boundary in terms of the measure $\mathbb{N}_0^{*,z}$ introduced in Section 5.2. We recall from Section 4.3 the notation \mathbb{F}_z^\dagger for the distribution of the free Brownian disk with perimeter z and boundary glued into a single point. Also recall from Section 3.3 the notation $\mathcal{L}^\bullet(\omega)$ for the pointed measure metric space associated with a snake trajectory.

Theorem 22. *For any nonnegative measurable function G on \mathbb{M}^\bullet ,*

$$\mathbb{F}_z^\dagger(G) = \mathbb{N}_0^{*,z} \left(G(\mathcal{L}^\bullet(W)) \right).$$

The proof of this theorem, which is given at the very end of this section, requires a few preliminary results. Let us outline our general strategy. We start from a Boltzmann quadrangulation Q . For $\delta > 0$, conditionally on the event where the perimeter of the lazy hull of radius $\lfloor \delta \sqrt{n} \rfloor$ is of order n , Proposition 16 allows us to “embed” a quadrangulation Q_n with a boundary of size of order n in Q . When δ is small, the quadrangulation Q_n^\dagger with “glued boundary”, which is derived from Q_n as in Section 4.4, is close to Q in the Gromov-Hausdorff-Prokhorov sense after rescaling distances by $n^{-1/2}$ (Lemma 26). Then, on one hand, the scaling limit of Q_n^\dagger is given in terms of the measures $\mathbb{F}_z^{\bullet,\dagger}$ (Proposition 23, which is basically a consequence of Corollary 11). On the other hand, the convergence of rescaled Boltzmann quadrangulations to the free Brownian map shows that the Boltzmann quadrangulation Q , under the preceding conditioning depending on n and the usual rescaling, is close to the free Brownian map $(\mathcal{M}, D, \mathbf{v})$ under the conditioning that $\mathcal{Z}_{W_* + \delta \sqrt{3/2}}$ is of order 1, which in turn (when δ is small) is close to the random measure metric space $\mathcal{L}^{\bullet\bullet}(\text{tr}_{W_* + \delta}(\omega))$ under the same conditioning (Lemma 25). The distribution of $\text{tr}_{W_* + \delta}(\omega)$ can be written in terms of the measures $\mathbb{N}_0^{*,z}$ via Proposition 15. By combining all these observations, we arrive at an expression of $\mathbb{F}_z^{\bullet,\dagger}$ in terms of the measures $\mathbb{N}_0^{*,z}$ (Proposition 29) from which it is then easy to derive Theorem 22.

We keep the notation introduced in the previous section. In particular, $\mathcal{Q}_1, \mathcal{Q}_2, \dots, \mathcal{Q}_\Xi$ is the lazy hull process associated with the Boltzmann (pointed) quadrangulation Q . We fix $\delta > 0$, and we will argue conditionally on the event $\{\Xi \geq \lfloor \delta \sqrt{n} \rfloor\}$. By Proposition 16, conditionally on the lazy hull of radius $\lfloor \delta \sqrt{n} \rfloor$, Q is obtained by gluing to this hull an independent (pointed) Boltzmann quadrangulation with boundary of size equal to $2H_{\lfloor \delta \sqrt{n} \rfloor}$, and we denote this quadrangulation with a boundary by Q_n (as already mentioned, the gluing requires that we specify an edge on the boundary of the hull, which can be done in a deterministic way given the hull, and then Q_n is uniquely determined). Notice that in this gluing procedure, every vertex of the boundary of the hull corresponds to a vertex incident to the outer face of Q_n , but this correspondence is not one-to-one since several vertices of the boundary of the hull may correspond to the same vertex in the boundary of the outer face of Q_n . However, after gluing Q_n to the

hull, these vertices will correspond to a single vertex of Q . Also, each vertex of Q_n not on the boundary corresponds to a (unique) vertex of Q that does not belong to the hull. We write d_n for the graph distance on the vertex set $V(Q_n)$, and $|Q_n|$ for the number of inner faces of Q_n . We also write μ_n for the counting measure on $V(Q_n)$.

For notational convenience, we agree that $H_k = 0$ if $k > \Xi$, so that an event of the type $\{H_{\lfloor \delta\sqrt{n} \rfloor} \in [n, (1+\varepsilon)n]\}$ is contained in $\{\Xi \geq \lfloor \delta\sqrt{n} \rfloor\}$.

We can view Q_n as a submap of a rooted and pointed planar quadrangulation Q_n^\dagger , which is constructed in exactly in the same way as $B_{(k)}^\dagger$ was constructed from $B_{(k)}$ in Section 4.4. We use the notation d_n^\dagger for the graph distance on $V(Q_n^\dagger)$, and also notice that μ_n can be viewed as a measure on $V(Q_n^\dagger)$. As was the case for $B_{(k)}^\dagger$ in Section 4.4, Q_n^\dagger has two distinguished points, namely the extra vertex ϖ and the distinguished vertex of Q_n . Recall the notation $\mathbb{F}_r^{\bullet, \dagger}$ for the distribution of the free pointed Brownian disk with perimeter r and boundary glued into a single point.

Proposition 23. *The sequence of random 2-pointed measure metric spaces*

$$\left(V(Q_n^\dagger), \sqrt{\frac{3}{2}} n^{-1/2} d_n^\dagger, 2n^{-2} \mu_n \right), \text{ under } \mathbb{P}(\cdot \mid H_{\lfloor \delta\sqrt{n} \rfloor} \in [n, (1+\varepsilon)n]),$$

converges in distribution as $n \rightarrow \infty$ in $\mathbb{M}^{\bullet\bullet}$. The limiting distribution is

$$c_{\delta, \varepsilon} \int_1^{1+\varepsilon} \frac{dr}{\sqrt{r}} e^{-r/\delta^2} \mathbb{F}_r^{\bullet, \dagger}.$$

where $c_{\delta, \varepsilon}$ is the appropriate normalizing constant.

Proof. If $r > 0$, and (k_n) is a sequence of integers such that $n^{-1}k_n$ tends to r as $n \rightarrow \infty$, Corollary 11 and scaling arguments relying on (27) show that

$$\left(V(B_{(k_n)}^\dagger), \sqrt{\frac{3}{2}} n^{-1/2} d_{\text{gr}}^\dagger, 2n^{-2} \mu_{(k_n)} \right) \xrightarrow[k \rightarrow \infty]{(d)} (\mathbb{D}_r^{\bullet, \dagger}, D^{\partial, \dagger}, \mathbf{v}_r^{\bullet, \dagger})$$

and the limit depends continuously on r . It follows that, if Φ is bounded and continuous on $\mathbb{M}^{\bullet\bullet}$,

$$\lim_{n \rightarrow \infty} \mathbb{E}[\Phi(V(B_{(\lfloor nr \rfloor)}^\dagger), \sqrt{\frac{3}{2}} n^{-1/2} d_{\text{gr}}^\dagger, 2n^{-2} \mu_{(\lfloor nr \rfloor)})] = \mathbb{E}[\Phi(\mathbb{D}_r^{\bullet, \dagger}, D^{\partial, \dagger}, \mathbf{v}_r^{\bullet, \dagger})] = \mathbb{F}_r^{\bullet, \dagger}(\Phi) \quad (46)$$

and the limit is uniform when r varies over a compact subset of $(0, \infty)$. Then observe that, conditionally on $H_{\lfloor \delta\sqrt{n} \rfloor} = k$, the random 2-pointed measure metric space

$$\left(V(Q_n^\dagger), \sqrt{\frac{3}{2}} n^{-1/2} d_n^\dagger, 2n^{-2} \mu_n \right)$$

has the same distribution as

$$\left(V(B_{(k)}^\dagger), \sqrt{\frac{3}{2}} n^{-1/2} d_{\text{gr}}^\dagger, 2n^{-2} \mu_{(k)} \right).$$

The desired result follows by writing

$$\begin{aligned} & \mathbb{E} \left[\Phi \left(V(Q_n^\dagger), \sqrt{\frac{3}{2}} n^{-1/2} d_n^\dagger, 2n^{-2} \mu_n \right) \mathbf{1}_{\{H_{\lfloor \delta\sqrt{n} \rfloor} \in [n, (1+\varepsilon)n]\}} \right] \\ &= n \int_1^{n^{-1}(\lfloor (1+\varepsilon)n \rfloor + 1)} dr \mathbb{P}(H_{\lfloor \delta\sqrt{n} \rfloor} = \lfloor nr \rfloor) \times \mathbb{E}[\Phi(V(B_{(\lfloor nr \rfloor)}^\dagger), \sqrt{\frac{3}{2}} n^{-1/2} d_{\text{gr}}^\dagger, 2n^{-2} \mu_{(\lfloor nr \rfloor)})] \end{aligned}$$

and using (46) together with Proposition 21 and Corollary 13. \square

The next step is to introduce a random metric measure space that is a candidate for describing the Brownian disk with boundary glued into a single point. With the notation of Section 3.3, this is the random (2-pointed) metric measure space $\mathcal{L}^{\bullet\bullet}(\text{tr}_{W_*+\delta}(\omega))$ under the probability measure $\mathbb{N}_0^{[-\delta]} = \mathbb{N}_0(\cdot \mid W_* < -\delta)$.

To give a somewhat different presentation of this space, we introduce (under $\mathbb{N}_0^{[-\delta]}$) the subtree $\mathcal{T}_\zeta^{(\delta)}$ of \mathcal{T}_ζ that consists of all vertices $a \in \mathcal{T}_\zeta$ such that $Z_b > W_* + \delta$ for every strict ancestor b of a . By definition, the ‘‘boundary’’ $\partial\mathcal{T}_\zeta^{(\delta)}$ consists of all $a \in \mathcal{T}_\zeta^{(\delta)}$ such that $Z_a = W_* + \delta$. We define a pseudo-metric $D^{(\delta)}$ on $\mathcal{T}_\zeta^{(\delta)}$ by setting, for every $a, b \in \mathcal{T}_\zeta^{(\delta)}$,

$$D^{(\delta)}(a, b) = \min\{D(a, b), Z_a + Z_b - 2(W_* + \delta)\}.$$

It is easy to verify that $D^{(\delta)}$ satisfies the triangle inequality. We also observe that $D^{(\delta)}(a, b) = 0$ if and only if at least one of the following two conditions holds:

- (i) $D(a, b) = 0$;
- (ii) a and b both belong to the boundary $\partial\mathcal{T}_\zeta^{(\delta)}$.

Similarly as in Section 3.3, we let $\mathcal{M}^{(\delta)}$ be the quotient space of $\mathcal{T}_\zeta^{(\delta)}$ for the equivalence relation $a \sim b$ if and only if $D^{(\delta)}(a, b) = 0$ and we equip $\mathcal{M}^{(\delta)}$ with the metric induced by $D^{(\delta)}$. Writing $\Pi^{(\delta)}$ for the canonical projection from $\mathcal{T}_\zeta^{(\delta)}$ onto $\mathcal{M}^{(\delta)}$ we define the volume measure $\mathbf{v}^{(\delta)}$ on $\mathcal{M}^{(\delta)}$ as the image of the restriction of the volume measure on \mathcal{T}_δ to $\mathcal{T}_\zeta^{(\delta)}$ under $\Pi^{(\delta)}$. We note that $\Pi^{(\delta)}(\partial\mathcal{T}_\zeta^{(\delta)})$ consists of a single point denoted by $x_{(\delta)}$ and called the boundary point of $\mathcal{M}^{(\delta)}$. We also notice that if $x = \Pi^{(\delta)}(a)$ we have $D^{(\delta)}(x, x_{(\delta)}) = Z_a - (W_* + \delta)$.

We view $(\mathcal{M}^{(\delta)}, D^{(\delta)}, \mathbf{v}^{(\delta)})$ as a 2-pointed measure metric space, whose distinguished points are the boundary point $x_{(\delta)}$ and $\Pi^{(\delta)}(p_\zeta(0))$ (in this order).

Lemma 24. $\mathbb{N}_0^{[-\delta]}$ a.s., the 2-pointed measure metric space $(\mathcal{M}^{(\delta)}, D^{(\delta)}, \mathbf{v}^{(\delta)})$ coincides with $\mathcal{L}^{\bullet\bullet}(\text{tr}_{W_*+\delta}(\omega))$.

Proof. This is a straightforward consequence of our definitions. We note that the genealogical tree of the snake trajectory $\text{tr}_{W_*+\delta}(\omega)$ is identified canonically with $\mathcal{T}_\zeta^{(\delta)}$. Modulo this identification, we write $D'(a, b)$, $a, b \in \mathcal{T}_\zeta^{(\delta)}$ for the pseudo-metric defined via formula (9) applied to $\text{tr}_{W_*+\delta}(\omega)$ (instead of ω). The proof then boils down to verifying that $D'(a, b) = D^{(\delta)}(a, b)$ for every $a, b \in \mathcal{T}_\zeta^{(\delta)}$. The verification of this identity is left to the reader. \square

Remark. Define the hull of radius δ in (\mathcal{M}, D) as the complement of the connected component of the complement of the ball $B(x_*, \delta)$ that contains the second distinguished point x_0 (this makes sense under $\mathbb{N}_0^{[-\delta]}$, since $D(x_*, x_0) = -W_*$). The metric space $(\mathcal{M}^{(\delta)}, D^{(\delta)})$ can be viewed as the closure of the complement of the hull of radius δ in (\mathcal{M}, D) , with boundary identified to a single point.

The next lemma bounds the Gromov-Hausdorff-Prokhorov distance between $(\mathcal{M}, D, \mathbf{v})$ and the ‘‘truncated space’’ $(\mathcal{M}^{(\delta)}, D^{(\delta)}, \mathbf{v}^{(\delta)})$.

Lemma 25. Under $\mathbb{N}_0^{[-\delta]}$, we have

$$d_{\text{GHP}}^{(2)}\left((\mathcal{M}, D, \mathbf{v}), (\mathcal{M}^{(\delta)}, D^{(\delta)}, \mathbf{v}^{(\delta)})\right) \leq 3(2(\delta + K_\delta) + \kappa_\delta),$$

where

$$K_\delta := \sup\{Z_a - W_* : a \in \mathcal{T}_\zeta \setminus \mathcal{T}_\zeta^{(\delta)}\}, \quad \kappa_\delta := \int_0^\sigma ds \mathbf{1}_{\{p_\zeta(s) \notin \mathcal{T}_\zeta^{(\delta)}\}}.$$

The quantities K_δ and κ_δ have the following geometric interpretation in terms of the 2-pointed measure metric space $(\mathcal{M}, D, \mathbf{v})$: K_δ is the maximal distance from x_* in the hull of radius δ (defined in the preceding remark), and κ_δ is the volume of this hull.

Proof. We first construct a correspondence $\mathcal{C}_{(\delta)}$ between (\mathcal{M}, D) and $(\mathcal{M}^{(\delta)}, D^{(\delta)})$ whose distortion is bounded above by $2(\delta + K_\delta)$. We note that two vertices of $\mathcal{T}_\zeta^{(\delta)}$ not belonging to $\partial\mathcal{T}_\zeta^{(\delta)}$ are identified in $\mathcal{M}^{(\delta)}$ if and only if they are identified in \mathcal{M} . We then define the correspondence $\mathcal{C}_{(\delta)}$ as follows. First if $x \in \mathcal{M}$ is of the form $x = \Pi(a)$ with $a \in \mathcal{T}_\zeta^{(\delta)} \setminus \partial\mathcal{T}_\zeta^{(\delta)}$, then x is in correspondence with the “same” point $\Pi^{(\delta)}(a)$ of $\mathcal{M}^{(\delta)}$. Then, if $x = \Pi(a)$ with $a \in \mathcal{T}_\zeta \setminus \mathcal{T}_\zeta^{(\delta)}$ or $a \in \partial\mathcal{T}_\zeta^{(\delta)}$, x is in correspondence with the boundary point $x_{(\delta)}$.

Let us bound the distortion of $\mathcal{C}_{(\delta)}$. We need to bound $|D(x, y) - D^{(\delta)}(x', y')|$ when (x, x') and (y, y') belong to $\mathcal{C}_{(\delta)}$. Consider first the case when $x = \Pi(a)$ and $y = \Pi(b)$ with $a, b \in \mathcal{T}_\zeta^{(\delta)} \setminus \partial\mathcal{T}_\zeta^{(\delta)}$. Then, by construction, $D^{(\delta)}(x', y') = D^{(\delta)}(a, b) \leq D(a, b) = D(x, y)$. On the other hand, we have

$$Z_a + Z_b - 2(W_* + \delta) = (Z_a - W_*) + (Z_b - W_*) - 2\delta \geq D(a, b) - 2\delta$$

because $Z_a - W_* = D(a, a_*)$ and $Z_b - W_* = D(b, a_*)$. It follows that we have also $D^{(\delta)}(x', y') \geq D(x, y) - 2\delta$, so that $|D(x, y) - D^{(\delta)}(x', y')| \leq 2\delta$ in that case.

Suppose then that $x = \Pi(a)$ and $y = \Pi(b)$ with $a \in \mathcal{T}_\zeta^{(\delta)} \setminus \partial\mathcal{T}_\zeta^{(\delta)}$ and $b \in (\mathcal{T}_\zeta \setminus \mathcal{T}_\zeta^{(\delta)}) \cup \partial\mathcal{T}_\zeta^{(\delta)}$. In that case $y' = x_{(\delta)}$. Then we have again $D^{(\delta)}(x', x_{(\delta)}) = Z_a - (W_* + \delta) \leq D(x, y)$ by the continuous cactus bound (15). Furthermore,

$$D(x, y) \leq D(a_*, a) + D(a_*, b) = Z_a - W_* + Z_b - W_* \leq (D^{(\delta)}(x', x_{(\delta)}) + \delta) + K_\delta.$$

We therefore get the bound $|D(x, y) - D^{(\delta)}(x', y')| \leq K_\delta + \delta$.

Finally, in the case where a and b both belong to $(\mathcal{T}_\zeta \setminus \mathcal{T}_\zeta^{(\delta)}) \cup \partial\mathcal{T}_\zeta^{(\delta)}$, we have $D^{(\delta)}(x, y) = 0$ and

$$D(x, y) \leq D(a_*, a) + D(a_*, b) = Z_a - W_* + Z_b - W_* \leq 2K_\delta.$$

Combining all three cases, we have always $|D(x, y) - D^{(\delta)}(x', y')| \leq 2(\delta + K_\delta)$ which gives the bound $\text{dis}(\mathcal{C}_{(\delta)}) \leq 2(\delta + K_\delta)$.

In order to apply Lemma 4, we consider the measure ν on $\mathcal{M} \times \mathcal{M}^{(\delta)}$ defined by

$$\int \varphi(x, y) \nu(dx, dy) = \int \varphi(x, \theta(x)) \mathbf{v}(dx),$$

where $\theta(x) = \Pi^{(\delta)}(a)$ if $x = \Pi(a)$ with $a \in \mathcal{T}_\zeta^{(\delta)} \setminus \partial\mathcal{T}_\zeta^{(\delta)}$, and $\theta(x) = x_{(\delta)}$ otherwise (we use the fact that two vertices of $\mathcal{T}_\zeta^{(\delta)} \setminus \partial\mathcal{T}_\zeta^{(\delta)}$ are identified in $\mathcal{M}^{(\delta)}$ if and only if they are identified in \mathcal{M}). Clearly, ν is supported on $\mathcal{C}_{(\delta)}$. Moreover, with the notation of Lemma 4, we have $\pi_* \nu = \mathbf{v}$ and $\pi'_* \nu = \mathbf{v}^{(\delta)} + \kappa_\delta \delta_{(x_{(\delta)})}$. An application of Lemma 4 then completes the proof. \square

We now give a discrete version of the preceding lemma. Recall from the beginning of this section that the quadrangulations Q_n and Q_n^\dagger are well-defined on the event $\{\Xi \geq \lfloor \delta\sqrt{n} \rfloor\}$. The vertex set $V(Q_n)$ is identified to a subset of $V(Q)$, and $V(Q_n^\dagger) = V(Q_n) \cup \{\varpi\}$. We note that, by

the construction of hulls in the preceding section, any vertex of ∂Q_n is identified in the gluing procedure to a vertex of Q which is at graph distance either $\lfloor \delta\sqrt{n} \rfloor$ or $\lfloor \delta\sqrt{n} \rfloor + 1$ from the root vertex ρ .

Lemma 26. *On the event $\{\Xi \geq \lfloor \delta\sqrt{n} \rfloor\}$,*

$$\begin{aligned} d_{\text{GHP}}^{(2)}\left((V(Q_n^\dagger), \sqrt{\frac{3}{2}} n^{-1/2} d_n^\dagger, 2n^{-2} \mu_n), (V(Q), \sqrt{\frac{3}{2}} n^{-1/2} d_{\text{gr}}, 2n^{-2} \mu)\right) \\ \leq 3\left(2\sqrt{\frac{3}{2}} n^{-1/2} (\lfloor \delta\sqrt{n} \rfloor + K_{n,\delta} + 1) + 2n^{-2} \kappa_{n,\delta}\right), \end{aligned}$$

where

$$K_{n,\delta} = \max\{d_{\text{gr}}(\rho, v) : v \in V(Q) \setminus V(Q_n)\}, \quad \kappa_{n,\delta} = \#V(Q) - \#V(Q_n) + \#\partial Q_n.$$

Proof. This is similar to the preceding proof. We construct a correspondence \mathcal{C}_n between $V(Q)$ and $V(Q_n^\dagger)$ by declaring that every vertex of $V(Q_n)$ (viewed as a subset of $V(Q)$) is in correspondence with itself in $V(Q_n^\dagger)$, and all vertices of $V(Q) \setminus V(Q_n)$ are in correspondence with ϖ . To bound the distortion of this correspondence, we note that, for every $v, v' \in V(Q)$,

$$\begin{aligned} d_{\text{gr}}(v, v') - 2(\lfloor \delta\sqrt{n} \rfloor + 1) &\leq d_n^\dagger(v, v') \leq d_{\text{gr}}(v, v') + 2 && \text{if } v, v' \in V(Q_n) \\ d_{\text{gr}}(v, v') - 2K_{n,\delta} - 2 &\leq d_n^\dagger(v, \varpi) \leq d_{\text{gr}}(v, v') + 2 && \text{if } v \in V(Q_n), v' \in V(Q) \setminus V(Q_n) \\ d_{\text{gr}}(v, v') &\leq 2K_{n,\delta} && \text{if } v, v' \in V(Q) \setminus V(Q_n). \end{aligned}$$

This shows that the distortion of the correspondence \mathcal{C}_n is bounded above by $2(2n/3)^{-1/2}(\lfloor \delta\sqrt{n} \rfloor + K_{n,\delta} + 1)$. On the other hand, we can construct a measure ν_n on the product $V(Q) \times V(Q_n^\dagger)$ as the image of the counting measure μ on $V(Q)$ under the mapping $u \mapsto (u, \theta_n(u))$, where $\theta_n(u) = u$ if u is a vertex of Q_n not lying on the boundary ∂Q_n , and $\theta_n(u) = \varpi$ otherwise. An application of Lemma 4 then gives the desired result. \square

In the next lemma, and in what follows, we consider implicitly that an event of the form $\{\mathcal{Z}_{W_*+\delta} \in [1, 1+\alpha]\}$ is contained in $\{W_* \leq -\delta\}$.

Lemma 27. *Let $\beta > 0$. We have for every $\alpha > 0$,*

$$\limsup_{n \rightarrow \infty} \mathbb{P}(2n^{-2} \kappa_{n,\delta} > \beta \mid H_{\lfloor \delta\sqrt{n} \rfloor} \in [n, (1+\alpha)n]) \leq \mathbb{N}_0(\kappa_{\delta\sqrt{3/2}} \geq \beta \mid \mathcal{Z}_{W_*+\delta\sqrt{3/2}} \in [1, 1+\alpha]),$$

and similarly

$$\limsup_{n \rightarrow \infty} \mathbb{P}(n^{-1/2} K_{n,\delta} > \beta \mid H_{\lfloor \delta\sqrt{n} \rfloor} \in [n, (1+\alpha)n]) \leq \mathbb{N}_0(K_{\delta\sqrt{3/2}} \geq \beta \mid \mathcal{Z}_{W_*+\delta\sqrt{3/2}} \in [1, 1+\alpha]).$$

Proof. As we already noticed in the proof of Lemma 20, the properties of the lazy hull ensure that $V(Q) \setminus V(Q_n) \subset \mathcal{H}_{\lfloor \delta\sqrt{n} \rfloor}$, where we recall that the notation \mathcal{H}_k refers to the collection of all vertices v of Q such that any path from v to ξ visits a vertex whose graph distance from ρ is (less than or) equal to k . We also saw that $\mathcal{H}_k \subset \mathcal{K}_{k+1} \cup \{\rho\}$, and Lemma 9 implies that the distribution of $(2n^2)^{-1} \#\mathcal{K}_{\lfloor \delta\sqrt{n} \rfloor}$ under $\mathbb{P}(\cdot \mid \Xi \geq \lfloor \delta\sqrt{n} \rfloor)$ converges as $n \rightarrow \infty$ to the distribution of

$$\int_0^\sigma ds \mathbf{1}_{\{W_s \leq W_* + \delta\sqrt{3/2}\}} = \kappa_{\delta\sqrt{3/2}}$$

under $\mathbb{N}_0(\cdot \mid W_* < -\delta\sqrt{3/2})$. On the other hand, arguments very similar to the proof of Lemma 9 show that the distribution of

$$n^{-1/2} \max\{d_{gr}(\rho, v) : v \in \mathcal{K}_{\lfloor \delta\sqrt{n} \rfloor}(Q)\}$$

under $\mathbb{P}(\cdot \mid \Xi \geq \lfloor \delta\sqrt{n} \rfloor)$ converges as $n \rightarrow \infty$ to the distribution of

$$\sup\{\widehat{W}_s - W_* : s \in [0, \sigma], \underline{W}_s \leq W_* + \delta\sqrt{3/2}\} = K_{\delta\sqrt{3/2}}$$

under $\mathbb{N}_0(\cdot \mid W_* < -\delta\sqrt{3/2})$. The latter two convergences in distribution hold jointly with the convergence of $n^{-1}H_{\lfloor \delta\sqrt{n} \rfloor}$ to $\mathcal{Z}_{W_* + \delta\sqrt{3/2}}$ in Proposition 21. Both assertions of the lemma now follow. \square

Proposition 28. *Let $\alpha > 0$ and $\varepsilon > 0$. Let F be a bounded Lipschitz continuous function on $\mathbb{M}^{\bullet\bullet}$. Then, for all $\delta > 0$ small enough,*

$$\begin{aligned} \limsup_{n \rightarrow \infty} \left| \mathbb{E} \left[F \left(V(Q_n^\dagger), \sqrt{\frac{3}{2}} n^{-1/2} d_n^\dagger, 2n^{-2} \mu_n \right) \mid H_{\lfloor \delta\sqrt{n} \rfloor} \in [n, (1 + \alpha)n] \right] \right. \\ \left. - \mathbb{N}_0 \left(F(\mathcal{M}^{(\delta)}, D^{(\delta)}, \mathbf{v}^{(\delta)}) \mid \mathcal{Z}_{W_* + \delta\sqrt{3/2}} \in [1, 1 + \alpha] \right) \right| \leq \varepsilon. \end{aligned}$$

Proof. We may assume that F is bounded by 1 and 1-Lipschitz. Recall the notation $\mathcal{N}_{W_* + \delta}$ for the point measure of excursions outside $(W_* + \delta, \infty)$ (see the beginning of Section 5). If we write

$$\mathcal{N}_{W_* + \delta} = \sum_{i \in I_\delta} \delta_{\omega_{i,\delta}}$$

then it follows from our definitions that

$$K_\delta = \delta + \sup_{i \in I_\delta} W^*(\omega_{i,\delta}), \quad \kappa_\delta = \sum_{i \in I_\delta} \sigma(\omega_{i,\delta}).$$

From the description of the conditional law of $\mathcal{N}_{W_* + \delta}$ given $\mathcal{Z}_{W_* + \delta}$ in Proposition 12 and the subsequent remark, it is not hard to verify that, for every $\beta > 0$,

$$\mathbb{N}_0(K_\delta > \beta \mid \mathcal{Z}_{W_* + \delta} \in [1, 1 + \alpha]) \xrightarrow[\delta \rightarrow 0]{} 0, \quad \mathbb{N}_0(\kappa_\delta > \beta \mid \mathcal{Z}_{W_* + \delta} \in [1, 1 + \alpha]) \xrightarrow[\delta \rightarrow 0]{} 0. \quad (47)$$

Let us explain how the first convergence in (47) is derived (the proof of the second one is analogous). If $z \in [1, 1 + \alpha]$, the conditional law of $\mathcal{N}_{W_* + \delta}$ given $\mathcal{Z}_{W_* + \delta} = z$ is the sum of a Poisson point measure $\mathcal{N}_{(\delta)}$ with intensity $z \mathbb{N}_0(\cdot \cap \{W_* > -\delta\})$ and the Dirac mass at an independent random snake trajectory $\omega_{(\delta)}$ distributed according to $\mathbb{N}_0(\cdot \mid W_* = -\delta)$. For $\delta < \beta/2$, we have thus

$$\mathbb{N}_0(K_\delta > \beta \mid \mathcal{Z}_{W_* + \delta} = z) \leq \mathbb{P}(\sup\{W^*(\omega) : \omega \text{ atom of } \mathcal{N}_{(\delta)}\} > \frac{\beta}{4}) + \mathbb{P}(W^*(\omega_{(\delta)}) > \frac{\beta}{4}).$$

A scaling argument shows that $W^*(\omega_{(\delta)})$ has the same distribution as $\delta W^*(\omega_{(1)})$ and thus tends to 0 in probability when $\delta \rightarrow 0$. On the other hand, we may assume that $\mathcal{N}_{(\delta)}$ is the restriction of a Poisson point measure \mathcal{N} with intensity $z \mathbb{N}_0$ to the set $\{\omega : W_*(\omega) > -\delta\}$. Now observe that \mathcal{N} has only finitely many atoms ω such that $W^*(\omega) > \beta/4$ and that, for each of these atoms, we have $W_*(\omega) < 0$. It follows that, if $\delta > 0$ is small enough, no atom ω of $\mathcal{N}_{(\delta)}$ satisfies $W^*(\omega) > \beta/4$, and hence $\mathbb{P}(\sup\{W^*(\omega) : \omega \text{ atom of } \mathcal{N}_{(\delta)}\} > \frac{\beta}{4})$ tends to 0 as $\delta \rightarrow 0$.

It follows from (47) that, if $\delta < \varepsilon/100$ is small enough, we have both

$$\begin{aligned}\mathbb{N}_0(K_{\delta\sqrt{3/2}} > \varepsilon/100 \mid \mathcal{Z}_{W_*+\delta\sqrt{3/2}} \in [1, 1+\alpha]) &< \varepsilon/100, \\ \mathbb{N}_0(\kappa_{\delta\sqrt{3/2}} > \varepsilon/100 \mid \mathcal{Z}_{W_*+\delta\sqrt{3/2}} \in [1, 1+\alpha]) &< \varepsilon/100,\end{aligned}$$

and (using also Lemma 27) for all n sufficiently large,

$$\begin{aligned}\mathbb{P}(2n^{-2}\kappa_{n,\delta} > \varepsilon/100 \mid H_{[\delta\sqrt{n}]} \in [n, (1+\alpha)n]) &< \varepsilon/100, \\ \mathbb{P}(n^{-1/2}K_{n,\delta} > \varepsilon/100 \mid H_{[\delta\sqrt{n}]} \in [n, (1+\alpha)n]) &< \varepsilon/100.\end{aligned}$$

By Lemma 25, we have then

$$\begin{aligned}\mathbb{N}_0\left(\left|F(\mathcal{M}^{(\delta)}, D^{(\delta)}, \mathbf{v}^{(\delta)}) - F(\mathcal{M}, D, \mathbf{v})\right| \mid \mathcal{Z}_{W_*+\delta\sqrt{3/2}} \in [1, 1+\alpha]\right) \\ \leq 2\mathbb{N}_0(3(2(\delta + K_\delta) + \kappa_\delta) \mathbf{1}_{\{K_\delta \leq \varepsilon/100, \kappa_\delta \leq \varepsilon/100\}} \mid \mathcal{Z}_{W_*+\delta\sqrt{3/2}} \in [1, 1+\alpha]) + 4 \times (\varepsilon/100) \\ \leq 40 \times (\varepsilon/100).\end{aligned}$$

Similarly, from Lemma 26, we get for n sufficiently large,

$$\begin{aligned}\mathbb{E}_0\left[\left|F(V(Q_n^\dagger), \sqrt{\frac{3}{2}}n^{-1/2}d_n^\dagger, 2n^{-2}\mu_n) - F(V(Q), \sqrt{\frac{3}{2}}n^{-1/2}d_{\text{gr}}, 2n^{-2}\mu)\right| \mid H_{[\delta\sqrt{n}]} \in [n, (1+\alpha)n]\right] \\ \leq 50 \times (\varepsilon/100).\end{aligned}$$

Finally the convergence to the Brownian map (Proposition 7) and Proposition 21 also show that for n large enough we have

$$\begin{aligned}\left|\mathbb{N}_0\left(F(\mathcal{M}, D, \mathbf{v}) \mid \mathcal{Z}_{W_*+\delta\sqrt{3/2}} \in [1, 1+\alpha]\right) \right. \\ \left. - \mathbb{E}\left[F(V(Q), \sqrt{\frac{3}{2}}n^{-1/2}d_{\text{gr}}, 2n^{-2}\mu) \mid H_{[\delta\sqrt{n}]} \in [n, (1+\alpha)n]\right]\right| < \varepsilon/20.\end{aligned}$$

We get the desired result by combining the last three displays. \square

We will now combine Propositions 23 and 28 to get a representation of $\mathbb{F}_z^{\bullet,\dagger}$ (defined in Section 4.3) in terms of the measure $\mathbb{N}_0^{*,z}$ introduced in Section 5.2. Theorem 22 will be an easy consequence of this representation. Recall the notation $\mathcal{L}^{\bullet\bullet}(\omega)$ from Section 3.3.

Proposition 29. *For every $z > 0$, for every nonnegative measurable function G on $\mathbb{M}^{\bullet\bullet}$, we have*

$$\mathbb{F}_z^{\bullet,\dagger}(G) = z^{-2}\mathbb{N}_0^{*,z}\left(\int_0^\sigma dr G(\mathcal{L}^{\bullet\bullet}(W^{[r]}))\right).$$

Proof. Let Γ_z denote the conditional distribution of $\text{tr}_{W_*+\delta}(W)$ given $\mathcal{Z}_{W_*+\delta} = z$ under $\mathbb{N}_0^{[-\delta]}$. By Proposition 15, Γ_z does not depend on δ , and moreover, for every nonnegative measurable function F on the space of snake trajectories, we have

$$\int \Gamma_z(d\omega) F(\omega) = z^{-2}\mathbb{N}_0^{*,z}\left(\int_0^\sigma dr F(W^{[r]})\right).$$

Hence the identity of Proposition 29 is equivalent to $\mathbb{F}_z^{\bullet,\dagger}(G) = \int \Gamma_z(d\omega) G(\mathcal{L}^{\bullet\bullet}(\omega))$.

We prove this identity for $z = 1$. We may assume that G is 1-Lipschitz and bounded by 1. Let us fix $\varepsilon > 0$. We first choose $\alpha_0 > 0$ so that $|\mathbb{F}_z^{\bullet,\dagger}(G) - \mathbb{F}_1^{\bullet,\dagger}(G)| \leq \varepsilon$ if $1 \leq z \leq 1 + \alpha_0$. Using Lemma 24 and Corollary 13, we have for every $\alpha > 0$,

$$\mathbb{N}_0\left(G(\mathcal{M}^{(\delta)}, D^{(\delta)}, \mathbf{v}^{(\delta)}) \mid \mathcal{Z}_{W_* + \delta\sqrt{3/2}} \in [1, 1 + \alpha]\right) = c_{\delta,\alpha} \int_1^{1+\alpha} \frac{dz}{\sqrt{z}} \exp\left(-\frac{z}{\delta^2}\right) \int \Gamma_z(d\omega) G(\mathcal{L}^{\bullet\bullet}(\omega)),$$

where the normalizing constant $c_{\delta,\alpha}$ is such that

$$c_{\delta,\alpha} \int_1^{1+\alpha} \frac{dz}{\sqrt{z}} \exp\left(-\frac{z}{\delta^2}\right) = 1.$$

It follows that

$$\begin{aligned} & \left| \mathbb{N}_0\left(G(\mathcal{M}^{(\delta)}, D^{(\delta)}, \mathbf{v}^{(\delta)}) \mid \mathcal{Z}_{W_* + \delta\sqrt{3/2}} \in [1, 1 + \alpha]\right) - \int \Gamma_1(d\omega) G(\mathcal{L}^{\bullet\bullet}(\omega)) \right| \\ & \leq \sup_{1 \leq z \leq 1 + \alpha} \left| \int \Gamma_z(d\omega) G(\mathcal{L}^{\bullet\bullet}(\omega)) - \int \Gamma_1(d\omega) G(\mathcal{L}^{\bullet\bullet}(\omega)) \right|. \end{aligned}$$

Thanks to the continuity of G and the scaling properties linking the measures $\mathbb{N}_0^{*,z}$ (and hence the measures Γ_z according to Proposition 15), it is not hard to verify that the right-hand side tends to 0 as $\alpha \rightarrow 0$.

We fix $\alpha \in (0, \alpha_0)$ such that the right-hand side of the last display is smaller than ε , and note that this bound holds for any $\delta > 0$. We then fix $\delta > 0$ small enough so that we can combine the latter bound with Proposition 28 to get that, for all large enough n ,

$$\left| \mathbb{E}\left[G(V(Q_n^\dagger), \sqrt{\frac{3}{2}} n^{-1/2} d_n^\dagger, 2n^{-2} \mu_n) \mid H_{[\delta\sqrt{n}]} \in [n, (1 + \alpha)n]\right] - \int \Gamma_1(d\omega) G(\mathcal{L}^{\bullet\bullet}(\omega)) \right| \leq 2\varepsilon.$$

On the other hand, thanks to Proposition 23, we have also for n large,

$$\left| \mathbb{E}\left[G(V(Q_n^\dagger), \sqrt{\frac{3}{2}} n^{-1/2} d_n^\dagger, 2n^{-2} \mu_n) \mid H_{[\delta\sqrt{n}]} \in [n, (1 + \alpha)n]\right] - c_{\delta,\alpha} \int_1^{1+\alpha} \frac{dz}{\sqrt{z}} \exp\left(-\frac{z}{\delta^2}\right) \mathbb{F}_z^{\bullet,\dagger}(G) \right| \leq \varepsilon.$$

and from the fact that $\alpha < \alpha_0$,

$$\left| c_{\delta,\alpha} \int_1^{1+\alpha} \frac{dz}{\sqrt{z}} \exp\left(-\frac{z}{\delta^2}\right) \mathbb{F}_z^{\bullet,\dagger}(G) - \mathbb{F}_1^{\bullet,\dagger}(G) \right| \leq \varepsilon.$$

By combining all these bounds, we have

$$\left| \int \Gamma_1(d\omega) G(\mathcal{L}^{\bullet\bullet}(\omega)) - \mathbb{F}_1^{\bullet,\dagger}(G) \right| \leq 4\varepsilon.$$

Since ε was arbitrary, we get

$$\mathbb{F}_1^{\bullet,\dagger}(G) = \int \Gamma_1(d\omega) G(\mathcal{L}^{\bullet\bullet}(\omega)),$$

which was the desired result. \square

Proof of Theorem 22. Recall from the remark at the end of Section 3.3 that the pointed measure metric space $\mathcal{L}^\bullet(W^{[s]})$ does not depend on the choice of $s \in [0, \sigma]$.

From the relation between \mathbb{F}_z and \mathbb{F}_z^\bullet (Section 4.2), we have

$$\mathbb{F}_z^\dagger(G) = z^2 \mathbb{F}_z^{\bullet, \dagger} \left(\frac{1}{\Sigma} G \circ \kappa^\bullet \right),$$

where κ^\bullet is the obvious projection from $\mathbb{M}^{\bullet\bullet}$ onto \mathbb{M}^\bullet that consists in “forgetting” the second distinguished point, and Σ denotes the total mass of the volume measure. By Proposition 29, the right-hand side is equal to

$$\mathbb{N}_0^{*,z} \left(\frac{1}{\sigma} \int_0^\sigma dr G(\mathcal{L}^\bullet(W^{[r]})) \right)$$

and this is equal to $\mathbb{N}_0^{*,z}(G(\mathcal{L}^\bullet(W)))$ by the first observation of the proof. \square

8 Construction of the metric under \mathbb{N}_0^*

Theorem 22 shows that the law of the Brownian disk with perimeter z and glued boundary can be identified as the law of $\mathcal{L}^\bullet(W)$ under $\mathbb{N}_0^{*,z}$. Our objective is now to recover the distribution of the Brownian disk (without gluing), by reconstructing the original metric from the metric with glued boundary. We aim at constructing this original metric under $\mathbb{N}_0^{*,z}$, but it will be more convenient to argue first under a different measure, and then to use the re-rooting representation of \mathbb{N}_0^* in Theorem 14.

In the first part of this section, we fix $r > 0$, and we will argue under the measure $\mathbb{N}_r^{[0]} := \mathbb{N}_r(\cdot \mid W_* \leq 0)$. To simplify notation, we write $W^{\text{tr}} = \text{tr}_0(W)$, so that $W_s^{\text{tr}} = W_{\eta_s}$, with

$$\eta_s = \inf \left\{ t \geq 0 : \int_0^t du \mathbf{1}_{\{\tau_0(W_u) \geq \zeta_u\}} > s \right\}. \quad (48)$$

It will be convenient to write \mathcal{T}^{tr} for the genealogical tree of W^{tr} , and p_{tr} for the canonical projection from $[0, \sigma(W^{\text{tr}})]$ onto \mathcal{T}^{tr} . Recall that \mathcal{T}^{tr} is canonically (and isometrically) identified with the closed subset of \mathcal{T}_ζ consisting of all a such that $Z_b > 0$ for every strict ancestor b of a . Without risk of confusion, we keep the notation $(Z_a)_{a \in \mathcal{T}^{\text{tr}}}$ for the labels on \mathcal{T}^{tr} ($Z_a = \widehat{W}_s^{\text{tr}}$ if $a = p_{\text{tr}}(s)$). Note that, by the definition of the truncation tr_0 , the labels Z_a , $a \in \mathcal{T}^{\text{tr}}$, are nonnegative. By definition, the boundary $\partial\mathcal{T}^{\text{tr}}$ is

$$\partial\mathcal{T}^{\text{tr}} = \{a \in \mathcal{T}^{\text{tr}} : Z_a = 0\},$$

and we set $\mathcal{T}^{\text{tr}, \circ} = \mathcal{T}^{\text{tr}} \setminus \partial\mathcal{T}^{\text{tr}}$.

For $a, b \in \mathcal{T}^{\text{tr}}$, $[a, b]$ stands for the “lexicographical” interval in \mathcal{T}^{tr} , as in Section 3.2, and as previously we define for every $a, b \in \mathcal{T}^{\text{tr}}$,

$$D^{\text{tr}, \circ}(a, b) = Z_a + Z_b - 2 \max \left(\min_{c \in [a, b]} Z_c, \min_{c \in [b, a]} Z_c \right).$$

We then set, for every $a, b \in \mathcal{T}^{\text{tr}, \circ}$,

$$\Delta^\circ(a, b) = \begin{cases} D^{\text{tr}, \circ}(a, b) & \text{if } \max \left(\min_{c \in [a, b]} Z_c, \min_{c \in [b, a]} Z_c \right) > 0 \\ +\infty & \text{otherwise.} \end{cases} \quad (49)$$

and,

$$\Delta(a, b) = \inf_{a=a_0, a_1, \dots, a_{k-1}, a_k=b} \sum_{i=1}^k \Delta^\circ(a_{i-1}, a_i), \quad (50)$$

where the infimum is over all choices of the integer $k \geq 1$ and of the elements a_0, a_1, \dots, a_k of \mathcal{T}^{tr} such that $a_0 = a$ and $a_k = b$. Notice that $\Delta(a, b) \geq |Z_a - Z_b|$ by construction.

Remark. If $a, b \in \mathcal{T}^{\text{tr}, \circ}$, we can also define $D^\circ(a, b)$ by viewing a and b as elements of \mathcal{T}_ζ , using (6). If a and b are such that $\max(\min_{c \in [a, b]} Z_c, \min_{c \in [b, a]} Z_c) > 0$ in (49), then $\Delta^\circ(a, b) = D^{\text{tr}, \circ}(a, b) = D^\circ(a, b)$. The point is that, if $\min_{c \in [a, b]} Z_c > 0$, the points of the interval $[a, b]$ of \mathcal{T}^{tr} correspond to the “same” interval of \mathcal{T}_ζ modulo the preceding identification of \mathcal{T}^{tr} as a subset of \mathcal{T}_ζ (and similarly if $[a, b]$ is replaced by $[b, a]$).

Proposition 30. *The following properties hold $\mathbb{N}_r^{[0]}$ a.s.*

- (i) $\Delta(a, b) < \infty$ for every $a, b \in \mathcal{T}^{\text{tr}, \circ}$.
- (ii) Δ defines a pseudo-metric on $\mathcal{T}^{\text{tr}, \circ}$.
- (iii) The mapping $(a, b) \mapsto \Delta(a, b)$ is continuous on $\mathcal{T}^{\text{tr}, \circ} \times \mathcal{T}^{\text{tr}, \circ}$.
- (iv) For every $a, b \in \mathcal{T}^{\text{tr}, \circ}$, $\Delta(a, b) = 0$ if and only if $\Delta^\circ(a, b) = 0$.

We omit the easy proof of these properties (for (i), observe that, if $[[a, b]]$ denotes the geodesic segment between a and b in \mathcal{T}^{tr} , $\mathcal{T}^{\text{tr}} \setminus [[a, b]]$ has only finitely many connected components C_1, \dots, C_k that intersect $\partial\mathcal{T}^{\text{tr}}$, and, if a_i denotes the unique point of $\overline{C_i} \cap [[a, b]]$, then, assuming that the components have been ranked so that a_1, \dots, a_k come in this order from a to b along $[[a, b]]$, we have $\Delta^\circ(a_{i-1}, a_i) < \infty$ for every $i = 1, \dots, k+1$, with the convention $a_0 = a$ and $a_{k+1} = b$). In order to verify (iv), we use the analogous property for the Brownian map recalled in Section 3.5.

Proposition 31. $\mathbb{N}_r^{[0]}$ a.s., the mapping $(a, b) \mapsto \Delta(a, b)$ has a continuous extension to $\mathcal{T}^{\text{tr}} \times \mathcal{T}^{\text{tr}}$.

Proof. An important ingredient of the proof is the reduced tree of \mathcal{T}^{tr} , which consists of all vertices of \mathcal{T}^{tr} that have at least one descendant with label 0. Let us briefly explain why this reduced tree, which is denoted by \mathcal{T}^∇ , is relevant for our purposes. In the infimum in the definition (50) of $\Delta(a, b)$, we interpolate between a and b using points b_1, \dots, b_{k-1} such that $\Delta^\circ(b_{i-1}, b_i)$ is finite for every $i = 2, \dots, k-1$, and thus the minimum of Z on the interval $[b_{i-1}, b_i]$ (or on $[b_i, b_{i-1}]$) is positive. A way of finding such points is to let b_1, \dots, b_{k-1} be successive branching points of the reduced tree \mathcal{T}^∇ , meaning that there is no branching point of \mathcal{T}^∇ in the interior of the line segment between b_{i-1} and b_i . To get bounds on the quantities $\Delta^\circ(b_{i-1}, b_i)$, we then need to control the labels Z_a when a varies over branching points of \mathcal{T}^∇ . In order to obtain the result of the proposition, it will be enough to prove that the maximum of these labels over branching points of \mathcal{T}^∇ that are “close” to the boundary $\partial\mathcal{T}^{\text{tr}}$ tends to 0 sufficiently fast (see the bound (51) below).

The probabilistic structure of \mathcal{T}^∇ is described in [24, Theorem 4.7.2] (in a much more general setting). Let us mention only the properties that are relevant for our purposes. The tree \mathcal{T}^∇ is a binary \mathbb{R} -tree, which can be constructed by induction as follows. One starts from a line segment connecting the root of \mathcal{T}^{tr} to a first branching point a_\emptyset . To this branching point are attached two other line segments connecting a_\emptyset respectively to branching points a_1 and a_2 , listed in the lexicographical order of \mathcal{T}^{tr} . To a_1 (respectively to a_2) are then attached two line segments connecting a_1 (resp. a_2) to branching points $a_{(1,1)}$ and $a_{(1,2)}$ (resp. $a_{(2,1)}$ and $a_{(2,2)}$) and so on. The tree \mathcal{T}^∇ has the following recursive structure: conditionally on the line segment joining the root to a_\emptyset , and on the labels along this line segment, the two (labeled) subtrees rooted at a_\emptyset are distributed independently according to the law of \mathcal{T}^∇ under $\mathbb{N}_{Z_{a_\emptyset}}^{[0]}$.

Thanks to this recursive property, the distribution of \mathcal{T}^∇ (and of labels along \mathcal{T}^∇) is characterized by the law of the (length of the) segment connecting the root to a_\emptyset , and the distribution of the labels along this line segment. These labels can be represented by a stopped path $W^\nabla = (W^\nabla(t) : 0 \leq t \leq \zeta^\nabla)$, with $W^\nabla(0) = r$ and $W^\nabla(\zeta^\nabla) = Z_{a_\emptyset}$ — in particular ζ^∇ is the length of the line segment from the root to a_\emptyset . The distribution of W^∇ is then given by the formula

$$\mathbb{N}_r^{[0]}(\Phi(W^\nabla)) = 2u(r)^{-1} \int_0^\infty ds \mathbf{E}_r \left[\mathbf{1}_{\{s < \tau_0\}} u(B_s)^2 \exp \left(-4 \int_0^s dt u(B_t) \right) \Phi(B_t, 0 \leq t \leq s) \right],$$

where Φ is a nonnegative measurable function on the space \mathcal{W} , $(B_t)_{t \geq 0}$ is a linear Brownian motion that starts from r under the probability measure \mathbf{P}_r , $\tau_0 = \inf\{t \geq 0 : B_t = 0\}$, and for every $y > 0$, $u(y) = \mathbb{N}_y(W_* \leq 0) = 3/(2y^2)$.

We are in fact interested in the distribution of Z_{a_\emptyset} (the terminal label of W^∇). From now on, we take $r = 1$ to simplify the presentation. From the preceding formula, we get, for every nonnegative measurable function ϕ on $[0, \infty)$,

$$\mathbb{N}_1^{[0]}(\phi(Z_{a_\emptyset})) = 3 \int_0^\infty ds \mathbf{E}_1 \left[\mathbf{1}_{\{s < \tau_0\}} (B_s)^{-4} \exp \left(-6 \int_0^s \frac{dt}{(B_t)^2} \right) \phi(B_s) \right].$$

At this point we use classical absolute continuity relations between Bessel processes (see e.g. [38, Proposition 2.6]), which show that, for every $s > 0$,

$$\mathbf{E}_1 \left[\mathbf{1}_{\{s < \tau_0\}} (B_s)^{-4} \exp \left(-6 \int_0^s \frac{dt}{(B_t)^2} \right) \phi(B_s) \right] = \mathbf{E}_1^{(9)} \left[(R_s)^{-8} \phi(R_s) \right],$$

where $R = (R_t)_{t \geq 0}$ stands for a nine-dimensional Bessel process that starts at 1 under the probability measure $\mathbf{P}_1^{(9)}$. We are thus led to the calculation of

$$3 \int_0^\infty ds \mathbf{E}_1^{(9)} \left[(R_s)^{-8} \phi(R_s) \right],$$

and we specialize to the case $\phi(x) = x^p$, for $p \geq 0$. For $y, z \in \mathbb{R}^9$, let $G(y, z) = c_9 |z - y|^{-7}$ be the Green function of nine-dimensional Brownian motion, with $c_9 = \Gamma(7/2)/(2\pi^{9/2})$. We also write $\mathbf{1}$ for a fixed point of the unit sphere of \mathbb{R}^9 . Since a nine-dimensional Bessel process has the distribution of the norm of a nine-dimensional Brownian motion, we have

$$3 \int_0^\infty ds \mathbf{E}_1^{(9)} \left[(R_s)^{-8+p} \right] = 3 \int_{\mathbb{R}^9} dz G(\mathbf{1}, z) |z|^{-8+p} = \frac{6}{7} \int_0^\infty d\rho \rho^p \int \pi_\rho(dz) |z - \mathbf{1}|^{-7},$$

where π_ρ stands for the uniform probability measure on the sphere $\{|z| = \rho\}$. In the last equality, we also note that, if $c'_9 = 2\pi^{9/2}/\Gamma(9/2)$ is the volume of the unit sphere of \mathbb{R}^9 , we have $c_9 c'_9 = 2/7$. Finally, we observe that

$$\int \pi_\rho(dz) |z - \mathbf{1}|^{-7} = 1 \wedge \rho^{-7}$$

and thus

$$\frac{6}{7} \int_0^\infty d\rho \rho^p \int \pi_\rho(dz) |z - \mathbf{1}|^{-7} = \frac{6}{7} \int_0^\infty d\rho \rho^p (1 \wedge \rho^{-7}) = \frac{6}{7} \left(\frac{1}{p+1} + \frac{1}{6-p} \right),$$

provided that $0 \leq p < 6$. Summarizing, we have obtained that, for $0 \leq p < 6$, we have

$$\mathbb{N}_1^{[0]}((Z_{a_\emptyset})^p) = \frac{6}{7} \left(\frac{1}{p+1} + \frac{1}{6-p} \right).$$

As a function of p , the right-hand side attains its minimal value for $p = 5/2$, and

$$\mathbb{N}_1^{[0]}((Z_{a_\emptyset})^{5/2}) = \frac{24}{49} < \frac{1}{2}.$$

At this point we use the recursive structure of the labeled tree \mathcal{T}^∇ , together with scaling properties. If

$$I = \bigcup_{n=0}^{\infty} \{1, 2\}^n \quad (\text{where } \{1, 2\}^0 = \{\emptyset\})$$

then for every $(i_1, \dots, i_n) \in I$, $Z_{a_{(i_1, \dots, i_n)}}$ has the distribution of the product $\xi_0 \xi_1 \cdots \xi_n$, where ξ_0, \dots, ξ_n are independent and have the distribution of Z_{a_\emptyset} under $\mathbb{N}_1^{[0]}$. Consequently,

$$\mathbb{N}_1^{[0]}((Z_{a_{(i_1, \dots, i_n)}})^{5/2}) = \left(\frac{24}{49}\right)^{n+1}.$$

Fix a real $\alpha \in (0, 1)$ such that $2\alpha^{-5/2} \frac{24}{49} < 1$. Then

$$\mathbb{N}_1^{[0]}(Z_{a_{(i_1, \dots, i_n)}} > \alpha^n) \leq \alpha^{-5n/2} \mathbb{N}_1^{[0]}((Z_{a_{(i_1, \dots, i_n)}})^{5/2}) = \alpha^{-5n/2} \left(\frac{24}{49}\right)^{n+1}.$$

If we sum this bound over the 2^n choices of $(i_1, \dots, i_n) \in \{1, 2\}^n$, we obtain that

$$\sum_{n=0}^{\infty} \mathbb{N}_1^{[0]} \left(\bigcup_{(i_1, \dots, i_n) \in \{1, 2\}^n} \{Z_{a_{(i_1, \dots, i_n)}} > \alpha^n\} \right) < \infty,$$

and, by the Borel-Cantelli lemma, we get that $\mathbb{N}_1^{[0]}$ a.s. for n large enough, for every $(i_1, \dots, i_n) \in \{1, 2\}^n$,

$$Z_{a_{(i_1, \dots, i_n)}} \leq \alpha^n. \quad (51)$$

Let J be the set of all infinite sequences $u = (i_1, i_2, \dots)$ where $i_j = 1$ or 2 . For $u = (i_1, i_2, \dots) \in J$ and $k \geq 1$ write $[u]_k = (i_1, \dots, i_k)$ for the truncated sequence at order k . It follows from the preceding considerations that

$$\lim_{\ell \rightarrow \infty} \left(\sup_{u \in J} \sum_{k=\ell}^{\infty} Z_{a_{[u]_k}} \right) = 0, \quad \text{a.s.} \quad (52)$$

Let us use (52) to prove the statement of the proposition. Let $\delta \in (0, 1)$. We note that, under $\mathbb{N}_1^{[0]}$, each excursion of W^{tr} outside (δ, ∞) that hits 0 (in the sense of the beginning of Section 5.1) corresponds to a subtree of \mathcal{T}^{tr} rooted at a vertex a of \mathcal{T}^{tr} such that $Z_a = \delta$. We let $\mathcal{T}_{1, \delta}, \dots, \mathcal{T}_{N_\delta, \delta}$ be the subtrees of \mathcal{T}^{tr} obtained in this way. We observe that it is enough to prove that

$$\lim_{\delta \rightarrow 0} \left(\sup_{1 \leq i \leq N_\delta} \sup_{x, y \in \mathcal{T}_{i, \delta}, Z_x \wedge Z_y > 0} \Delta(x, y) \right) = 0. \quad (53)$$

Indeed, assume that (53) holds. Then, if we are given a sequence $(x_n, y_n)_{n \geq 1}$ in $\mathcal{T}^{\text{tr}} \times \mathcal{T}^{\text{tr}}$ such that $Z_{x_n} \wedge Z_{y_n} > 0$ and if (x_n, y_n) converges to (x, y) , with $Z_x = Z_y = 0$, then, for every $\delta > 0$, there exist $i, j \in \{1, \dots, N_\delta\}$ such that, for all n large enough, say for $n \geq n_\delta$, we have $x_n, x \in \mathcal{T}_{i, \delta}$ and $y_n, y \in \mathcal{T}_{j, \delta}$. Therefore we also get that, if $m, n \geq n_\delta$, we have $\Delta(x_n, x_m) \leq r_\delta$ and $\Delta(y_n, y_m) \leq r_\delta$, where r_δ denotes the supremum over $1 \leq i \leq N_\delta$ appearing in the last

display. Consequently, $|\Delta(x_n, y_n) - \Delta(x_m, y_m)| \leq 2r_\delta$ for all $n, m \geq n_\delta$, and we obtain that $\Delta(x_n, y_n)$ is a Cauchy sequence. We can therefore set $\Delta(x, y) = \lim \Delta(x_n, y_n)$ as $n \rightarrow \infty$, and this gives the desired continuous extension.

It remains to prove (53). For every $k \geq 1$, let $\mathcal{T}_{(k)}^\nabla$ be the subtree of \mathcal{T}^∇ that consists of all ancestors of the vertices $a_{(i_1, \dots, i_k)}$ for all $(i_1, \dots, i_k) \in \{1, 2\}^k$. By compactness,

$$\varepsilon_k := \inf_{a \in \mathcal{T}_{(k)}^\nabla} Z_a > 0.$$

Suppose that $\delta < \varepsilon_k$, and let $x, y \in \mathcal{T}_{i, \delta}$ for some $1 \leq i \leq \mathcal{T}_{i, \delta}$, with $Z_x \wedge Z_y > 0$. Let $\rho_{i, \delta}$ stand for the root of $\mathcal{T}_{i, \delta}$. Then,

$$\Delta(x, y) \leq \Delta(x, \rho_{i, \delta}) + \Delta(y, \rho_{i, \delta})$$

and in order to bound $\Delta(x, \rho_{i, \delta})$ (or $\Delta(y, \rho_{i, \delta})$), we may proceed as follows. Write x_\bullet for the most recent ancestor of x that belongs to \mathcal{T}^∇ . Note that x_\bullet belongs to $\mathcal{T}_{i, \delta}$ (because $\rho_{i, \delta} \in \mathcal{T}^\nabla$ and so x_\bullet is a descendant of $\rho_{i, \delta}$). We can find integers m and ℓ , with $k \leq m \leq \ell$, such that $x_\bullet \in [[a_{(i_1, \dots, i_\ell)}, a_{(i_1, \dots, i_{\ell+1})}]]$ and $\rho_{i, \delta} \in [[a_{(i_1, \dots, i_m)}, a_{(i_1, \dots, i_{m+1})}]]$ for some $(i_1, \dots, i_{\ell+1}) \in \{1, 2\}^{m+1}$ — here we recall the notation $[[a, b]]$ for the geodesic segment between two points $a, b \in \mathcal{T}^\nabla$. Then,

$$\Delta^\circ(x, x_\bullet) = D^{\text{tr}, \circ}(a, b) \leq Z_x + Z_{x_\bullet}$$

where the first equality holds because no vertex y of the lexicographical interval $[x, x_\bullet]$ of \mathcal{T}^{tr} can be such that $Z_y = 0$ (otherwise, this would contradict the fact that x_\bullet is the most recent ancestor of x that belongs to \mathcal{T}^∇). For similar reasons, we have

$$\begin{aligned} \Delta^\circ(x_\bullet, a_{(i_1, \dots, i_\ell)}) &\leq Z_{x_\bullet} + Z_{a_{(i_1, \dots, i_\ell)}} \\ \Delta^\circ(a_{(i_1, \dots, i_{m+1})}, \rho_{i, \delta}) &\leq Z_{a_{(i_1, \dots, i_{m+1})}} + Z_{\rho_{i, \delta}} \end{aligned}$$

and, for every j such that $m \leq j \leq \ell$,

$$\Delta^\circ(a_{(i_1, \dots, i_j)}, a_{(i_1, \dots, i_{j+1})}) \leq Z_{a_{(i_1, \dots, i_j)}} + Z_{a_{(i_1, \dots, i_{j+1})}}.$$

By combining these bounds, we get

$$\Delta(x, \rho_{i, \delta}) \leq 2 \sum_{j=k}^{\ell+1} Z_{a_{(i_1, \dots, i_j)}} + 3 \sup_{1 \leq n \leq N_\delta} \sup_{a \in \mathcal{T}_{n, \delta}} Z_a.$$

The supremum in the last display tends to 0 when $\delta \rightarrow 0$, by a simple uniform continuity argument, and we just have to use (52) to complete the proof of (53). \square

Remark. Instead of the Borel-Cantelli argument used to derive (52), we could have referred to standard large deviation estimates for tree-indexed random walk, see in particular [49, Section 18].

We keep the notation Δ for the continuous extension of Δ to $\mathcal{T}^{\text{tr}} \times \mathcal{T}^{\text{tr}}$.

Proposition 32. *The following properties hold $\mathbb{N}_r^{[0]}$ a.s.*

(i) For every $a \in \mathcal{T}^{\text{tr}}$,

$$\inf\{\Delta(a, c) : c \in \partial\mathcal{T}^{\text{tr}}\} = Z_a.$$

(ii) For every $b, b' \in \partial\mathcal{T}^{\text{tr}}$, $\Delta(b, b') = 0$ if and only if $Z_c > 0$ for every $c \in]b, b'[$ or the same holds with $]b, b'[$ replaced by $]b', b[$.

Proof. (i) Let $a \in \mathcal{T}^{\text{tr}}$. We can assume that $Z_a > 0$. There exists $s \in [0, \sigma(W^{\text{tr}})]$ such that $p_{\text{tr}}(s) = a$. Then set $s' := \inf\{t \in (s, \sigma(W^{\text{tr}})) : \widehat{W}_t^{\text{tr}} = 0\}$ and $b = p_{\text{tr}}(s')$ (this definition only makes sense if $\{t \in (s, \sigma(W^{\text{tr}})) : \widehat{W}_t^{\text{tr}} = 0\} \neq \emptyset$, but if not we take $s' = \sup\{t \in [0, s] : \widehat{W}_t^{\text{tr}} = 0\}$ and make the necessary adaptations in the following lines). Then $Z_b = 0$ and $b \in \partial\mathcal{T}^{\text{tr}}$. For every $n \geq 1$ such that $n^{-1} < Z_a$, set $s_n = \inf\{t \in (s, \sigma(W^{\text{tr}})) : \widehat{W}_t^{\text{tr}} = n^{-1}\}$, and $b_n = p_{\text{tr}}(s_n)$. Then $s_n \uparrow s'$ and thus $b_n \rightarrow b$ as $n \rightarrow \infty$. On the other hand, $\Delta(a, b_n) = Z_a - Z_{b_n}$, so that we get $\Delta(a, b) = Z_a$. This shows that $\inf\{\Delta(a, c) : c \in \partial\mathcal{T}^{\text{tr}}\} \leq Z_a$. The reverse bound is obvious from the inequality $\Delta(a, c) \geq |Z_a - Z_c|$.

(ii) The fact that $Z_c > 0$ for every $c \in]b, b'[$ implies $\Delta(b, b') = 0$ is easy and left to the reader. Let us prove only the reverse implication. If $a \in \mathcal{T}^{\text{tr}}$, we use the notation \tilde{a} for the “same” point in \mathcal{T}_ζ (recall that \mathcal{T}^{tr} is canonically identified to a closed subset of \mathcal{T}_ζ).

Let $b, b' \in \partial\mathcal{T}^{\text{tr}}$, with $b \neq b'$, and assume that $\Delta(b, b') = 0$. Write $b = p_{\text{tr}}(s)$ and $b' = p_{\text{tr}}(t)$ with $s, t \in [0, \sigma(W^{\text{tr}})]$. For definiteness, we may assume that $s < t$. For every $n \geq 1$ such that $n^{-1} < r$, set $s_n = \inf\{u > s : \widehat{W}_u^{\text{tr}} \geq n^{-1}\}$, $b_n = p_{\text{tr}}(s_n)$, and similarly $t_n = \sup\{u < t : \widehat{W}_u^{\text{tr}} \geq n^{-1}\}$, $b'_n = p_{\text{tr}}(t_n)$. Then $b_n \rightarrow b$ and $b'_n \rightarrow b'$ as $n \rightarrow \infty$, so that $\Delta(b_n, b'_n)$ tends to 0 as $n \rightarrow \infty$. Now recall formula (50) defining $\Delta(b_n, b'_n)$. In this formula we can restrict our attention to choices of $b_n = a_0, a_1, \dots, a_k = b'_n$ such that, for every $i = 1, \dots, k$, $\Delta^\circ(a_{i-1}, a_i) < \infty$, and therefore

$$\max\left(\min_{c \in [a_{i-1}, a_i]} Z_c, \min_{c \in [a_i, a_{i-1}]} Z_c\right) > 0.$$

By the remark preceding Proposition 30, this implies that

$$\Delta^\circ(a_{i-1}, a_i) = D^\circ(\tilde{a}_{i-1}, \tilde{a}_i).$$

It follows from these observations that $\Delta(b_n, b'_n) \geq D(\tilde{b}_n, \tilde{b}'_n)$. By passing to the limit $n \rightarrow \infty$ we get that $D(\tilde{b}, \tilde{b}') = 0$. By the property recalled at the end of Section 3.5, this implies that $D^\circ(\tilde{b}, \tilde{b}') = 0$ and thus $Z_c \geq 0$ for every c in the interval $[\tilde{b}, \tilde{b}']$ of \mathcal{T}_ζ (or the same with $[\tilde{b}, \tilde{b}']$ replaced by $[\tilde{b}', \tilde{b}]$). The latter property can hold only if $Z_c > 0$ for every $c \in]\tilde{b}, \tilde{b}'[$, since otherwise this would mean that the mapping $s \mapsto \widehat{W}_s$ has a local minimum at 0, which does not occur $\mathbb{N}_1^{[0]}$ a.s. (this would contradict (31)). From the construction of truncations, this also implies that $Z_c > 0$ for every c belonging to the interval $]b, b'[$ of \mathcal{T}^{tr} . \square

Then, $\mathbb{N}_r^{[0]}$ a.s., Δ is a pseudo-metric on \mathcal{T}^{tr} , and we can consider the associated quotient metric space, which we denote by (Θ', Δ) . We equip Θ' with the volume measure \mathbf{V}' , which is the image of the volume measure on \mathcal{T}^{tr} under the canonical projection. The image of $\partial\mathcal{T}^{\text{tr}}$ under the canonical projection is the boundary $\partial\Theta'$ (by definition).

We now observe that, thanks to the re-rooting representation of \mathbb{N}_0^* (Theorem 14), the same construction works as well under \mathbb{N}_0^* . Arguing now under \mathbb{N}_0^* , we set

$$\mathcal{T}_\zeta^\circ := \{c \in \mathcal{T}_\zeta : Z_c > 0\}.$$

For $a, b \in \mathcal{T}_\zeta$, we define $D^\circ(a, b)$ by (6), then, for $a, b \in \mathcal{T}_\zeta^\circ$, we define $\Delta^\circ(a, b)$ as in (49), replacing $D^{\text{tr}, \circ}$ by D° , and finally, for $a, b \in \mathcal{T}_\zeta^\circ$, we define $\Delta(a, b)$ by the formula analogous to (50), where a_1, \dots, a_{k-1} now vary in \mathcal{T}_ζ (under \mathbb{N}_0^* , we keep the same notation Δ°, Δ as in (49) and (50) under $\mathbb{N}_r^{[0]}$, but this should create no confusion). These definitions are consistent with those given in the introduction.

Corollary 33. *The results of the three previous propositions remain valid if the measure $\mathbb{N}_r^{[0]}$ is replaced by \mathbb{N}_0^* , provided \mathcal{T}^{tr} is replaced by \mathcal{T}_ζ , $\mathcal{T}^{\text{tr},\circ}$ is replaced by \mathcal{T}_ζ° , and $\partial\mathcal{T}^{\text{tr}}$ is replaced by $\mathcal{T}_\zeta \setminus \mathcal{T}_\zeta^\circ$.*

As already mentioned, Corollary 33 follows from the re-rooting representation of \mathbb{N}_0^* (Theorem 14).

Then, under the measure \mathbb{N}_0^* , we can define a measure metric space $(\Theta, \Delta, \mathbf{V})$ by exactly the same procedure as before to define $(\Theta', \Delta, \mathbf{V}')$ under $\mathbb{N}_r^{[0]}$: Θ is the quotient space of \mathcal{T}_ζ for the equivalence relation associated with the pseudo-metric Δ , and \mathbf{V} is the image of the volume measure on \mathcal{T}_ζ under the canonical projection. By definition, the boundary $\partial\Theta$ is the image of the set $\mathcal{T}_\zeta \setminus \mathcal{T}_\zeta^\circ$ under the canonical projection. By simple scaling arguments, the construction also works under $\mathbb{N}_0^{*,z}$ for every $z > 0$, and we recover the first part of Theorem 1.

9 Identification of the Brownian disk

In this section, we prove Theorem 1, which was stated in the introduction. Let $(\mathbb{D}_z, D^\partial, \mathbf{v}_z)$ be a free Brownian disk with perimeter z . As in Section 4.3 above, we can construct \mathbb{D}_z^\dagger by gluing the boundary of \mathbb{D}_z into a single point, and equipping the resulting quotient space with the metric $D^{\partial,\dagger}$ defined as in (26). Let \mathbf{v}_z^\dagger be the volume measure on \mathbb{D}_z^\dagger , and denote the total mass of \mathbf{v}_z^\dagger by $|\mathbf{v}_z^\dagger|$. By Theorem 22, we know that the distribution \mathbb{F}_z^\dagger of \mathbb{D}_z^\dagger , as a random pointed metric measure space, is the same as the distribution of $\mathcal{L}^\bullet(W)$ under $\mathbb{N}_0^{*,z}$. According to Section 2.2, we may consider a sequence U_1, \dots, U_n, \dots of independent uniformly distributed points in $(\mathbb{D}_z^\dagger, D^{\partial,\dagger}, \mathbf{v}_z^\dagger)$, and similarly a sequence V_1, \dots, V_n, \dots of independent uniformly distributed points in $\mathcal{L}^\bullet(W)$. Then, the distribution of

$$(|\mathbf{v}_z^\dagger|, (\mathbb{D}_z^\dagger, \partial, U_1, \dots, U_n, \dots))$$

coincides with the distribution of

$$(\sigma, (\mathcal{L}^\bullet(W), \partial, V_1, \dots, V_n, \dots))$$

under $\mathbb{N}_0^{*,z}$. Here, we use the notation ∂ for the distinguished point (boundary point) of \mathbb{D}_z^\dagger or of $\mathcal{L}^\bullet(W)$, and both $(\mathbb{D}_z^\dagger, \partial, U_1, \dots, U_n, \dots)$ and $(\mathcal{L}^\bullet(W), \partial, V_1, \dots, V_n, \dots)$ are viewed as a random variables taking values in the space $\mathbb{M}^{\infty\bullet}$ of metric measure spaces equipped with an infinite sequence of distinguished points.

We then claim that, if $x, y \in \mathbb{D}_z \setminus \partial\mathbb{D}_z$ are such that there exists a D^∂ -geodesic from x to y that does not intersect $\partial\mathbb{D}_z$,

$$D^\partial(x, y) = \inf_{\substack{y_0=x, y_1, \dots, y_p=y \\ D^{\partial,\dagger}(y_{i-1}, y_i) < D^{\partial,\dagger}(\partial, y_{i-1}) + D^{\partial,\dagger}(\partial, y_i)}} \sum_{i=1}^p D^{\partial,\dagger}(y_{i-1}, y_i), \quad (54)$$

where the infimum is over all choices of the integer $p \geq 1$ and of the points $y_0, \dots, y_p \in \mathbb{D}_z \setminus \partial\mathbb{D}_z$ such that $y_0 = x$ and $y_p = y$, and the condition $D^{\partial,\dagger}(y_{i-1}, y_i) < D^{\partial,\dagger}(\partial, y_{i-1}) + D^{\partial,\dagger}(\partial, y_i)$ holds for $1 \leq i \leq p$. The inequality \leq in (54) is clear from the fact that $D^{\partial,\dagger}(y_{i-1}, y_i) = D^\partial(y_{i-1}, y_i)$ under the condition $D^{\partial,\dagger}(y_{i-1}, y_i) < D^{\partial,\dagger}(\partial, y_{i-1}) + D^{\partial,\dagger}(\partial, y_i)$, so that we can just use the triangle inequality for D^∂ . For the other inequality, we pick a D^∂ -geodesic γ from x to y that does not intersect $\partial\mathbb{D}_z$ (so that it stays at a positive distance from $\partial\mathbb{D}_z$), and points

$y_0 = x, y_1, \dots, y_p = y$ coming in this order along the geodesic γ and such that $D^\partial(y_{i-1}, y_i) < \min\{D^\partial(u, \partial\mathbb{D}_z) : u \in \gamma\}$ for $1 \leq i \leq p$. It follows that $D^\partial(y_{i-1}, y_i) = D^{\partial, \dagger}(y_{i-1}, y_i)$, and

$$\sum_{i=1}^p D^{\partial, \dagger}(y_{i-1}, y_i) = \sum_{i=1}^p D^\partial(y_{i-1}, y_i) = D^\partial(x, y).$$

We apply (54) to each pair (U_i, U_j) , noting that a.s. the (unique) geodesic between U_i and U_j in \mathbb{D}_z does not intersect $\partial\mathbb{D}_z$ (see Lemmas 17 and 18 in [10]). It follows that, a.s. for every $i, j \geq 1$,

$$D^\partial(U_i, U_j) = \inf_{\substack{i_0=i, i_1, \dots, i_p=j \\ D^{\partial, \dagger}(U_{i_{k-1}}, U_{i_k}) < D^{\partial, \dagger}(\partial, U_{i_{k-1}}) + D^{\partial, \dagger}(\partial, U_{i_k})}} \sum_{k=1}^p D^{\partial, \dagger}(U_{i_{k-1}}, U_{i_k}), \quad (55)$$

using also the fact that any finite sequence y_1, \dots, y_{p-1} can be approximated by $U_{i_1}, \dots, U_{i_{p-1}}$ for suitable choices of i_1, \dots, i_{p-1} , since the sequence U_1, U_2, \dots is (a.s.) dense in \mathbb{D}_z .

Next recall the definition of the pseudo-metric Δ on \mathcal{T}_ζ° under $\mathbb{N}_0^{*,z}$ (formulas (49) and (50) with $\mathcal{T}^{\text{tr}}, \mathcal{T}^{\text{tr}, \circ}$ and $D^{\text{tr}, \circ}$ replaced respectively by $\mathcal{T}_\zeta, \mathcal{T}_\zeta^\circ$ and D°) and the definition (9) of $D(a, b)$. Also note that, $\mathbb{N}_0^{*,z}$ a.s., $D(a_*, a) = Z_a$ for every $a \in \mathcal{T}_\zeta$, where a_* is any point of \mathcal{T}_ζ such that $Z_{a_*} = 0$. We claim that we have, $\mathbb{N}_0^{*,z}$ a.s. for every $a, b \in \mathcal{T}_\zeta^\circ$,

$$\Delta(a, b) = \inf_{\substack{a_0=a, a_1, \dots, a_p=b \\ D(a_{i-1}, a_i) < D(a_*, a_{i-1}) + D(a_*, a_i)}} \sum_{i=1}^p D(a_{i-1}, a_i), \quad (56)$$

where the points a_1, \dots, a_{p-1} vary in \mathcal{T}_ζ° . To obtain the inequality \leq in (56), we first note that, for every $a, b \in \mathcal{T}_\zeta^\circ$, the condition $D(a, b) < D(a_*, a) + D(a_*, b) = Z_a + Z_b$ implies $D(a, b) = \Delta(a, b)$. Let us justify this. For $a, b \in \mathcal{T}_\zeta^\circ$, we have $D(a, b) \leq \Delta(a, b)$ by construction. On the other hand, if, in the definition of $D(a, b)$ as an infimum of sums, one of the terms is such that $\min_{[a_{i-1}, a_i]} Z_c = \min_{[a_i, a_{i-1}]} Z_c = 0$, we get $D^\circ(a_{i-1}, a_i) = Z_{a_i} + Z_{a_{i-1}}$ and (using the property $D^\circ(u, v) \geq |Z_u - Z_v|$) we obtain that the corresponding sum is greater than or equal to $Z_a + Z_b$. Thus, if $D(a, b) < Z_a + Z_b$, this means that such cases can be discarded, so that $D(a, b) = \Delta(a, b)$.

The preceding discussion shows that we can replace $\sum_{i=1}^p D(a_{i-1}, a_i)$ by $\sum_{i=1}^p \Delta(a_{i-1}, a_i)$ in the right-hand side of (56), and we use the triangle inequality for Δ to obtain the inequality \leq in (56).

The reverse inequality in (56) follows from the definition (50) of $\Delta(a, b)$ (with $D^{\text{tr}, \circ}$ replaced by D° as explained before Corollary 33), noting that in this definition we need only consider the case where $\Delta^\circ(a_{i-1}, a_i) < \infty$ for every $1 \leq i \leq k$, which implies $D^\circ(a_{i-1}, a_i) < Z_{a_{i-1}} + Z_{a_i} = D(a_*, a_{i-1}) + D(a_*, a_i)$ and also

$$D(a_{i-1}, a_i) \leq D^\circ(a_{i-1}, a_i) = \Delta^\circ(a_{i-1}, a_i).$$

Then, we can apply (56) to each pair (V_i, V_j) and we get, similarly as in (55),

$$\Delta(V_i, V_j) = \inf_{\substack{i_0=i, i_1, \dots, i_p=b \\ D(V_{i_{k-1}}, V_{i_k}) < D(\partial, V_{i_{k-1}}) + D(\partial, V_{i_k})}} \sum_{k=1}^p D(V_{i_{k-1}}, V_{i_k}). \quad (57)$$

Write $U_0 = \partial$ and $V_0 = \partial$ for convenience. Thanks to the identity in distribution mentioned at the beginning of this section (following from Theorem 22), we know that the collection

$$\left(D(V_i, V_j) \right)_{i, j \geq 0} \quad \text{under} \quad \mathbb{N}_0^{*,z},$$

has the same distribution as $(D^{\partial, \dagger}(U_i, U_j))_{i, j \geq 0}$. Looking at (55) and (57), we infer that the collection

$$\left(\Delta(V_i, V_j)\right)_{i, j \geq 1} \quad \text{under} \quad \mathbb{N}_0^{*, z},$$

has the same distribution as $(D^\partial(U_i, U_j))_{i, j \geq 0}$, and that this identity in distribution holds jointly with that of $|\mathbf{v}_z|$ and σ .

By Lemma 5, we know that

$$\left(\{U_1, \dots, U_n\}, D^\partial, \frac{1}{n} \sum_{i=1}^n \delta_{U_i}\right)$$

converges a.s. in \mathbb{M} to $(\mathbb{D}_z, D^\partial, \widehat{\mathbf{v}}_z)$, where $\widehat{\mathbf{v}}_z = |\mathbf{v}_z|^{-1} \mathbf{v}_z$, and similarly

$$\left(\{V_1, \dots, V_n\}, \Delta, \frac{1}{n} \sum_{i=1}^n \delta_{V_i}\right)$$

converges a.s. in \mathbb{M} to $(\Theta, \Delta, \widehat{\mathbf{V}})$, where $\widehat{\mathbf{V}}$ is the normalized volume measure on Θ . Notice that the assumption about the topological support in Lemma 5 is easily verified. We then conclude that $(|\mathbf{v}_z|, (\mathbb{D}_z, D^\partial, \widehat{\mathbf{v}}_z))$ and $(\sigma, (\Theta, \Delta, \widehat{\mathbf{V}}))$ have the same distribution. Theorem 1 stated in the introduction now follows.

Remark. By [8], we know that the Brownian disk is a.s. homeomorphic to the closed unit disk of the plane. The boundary of Θ may then be defined as the set of all points $x \in \Theta$ having no neighborhood homeomorphic to an open disk. It will follow from the results of the subsequent sections that this boundary coincides with $\partial\Theta$ as defined above. Proposition 35 below shows that $\partial\Theta$ is the range of a simple loop in Θ , and Theorem 38 provides an embedding of a whole sequence of Brownian disks $(\Theta^{(j)}, \Delta^{(j)}, \mathbf{V}^{(j)})$ (each of which is a copy of $(\Theta, \Delta, \mathbf{V})$ under $\mathbb{N}_0^{*, z^{(j)}}$, for a certain random value of $z^{(j)}$) in the Brownian map, in such a way that $\partial\Theta^{(j)}$ appears as the topological boundary of $\Theta^{(j)}$ in the Brownian map, which itself is known to be homeomorphic to the two-dimensional sphere.

10 The uniform measure on the boundary

Let us fix $r > 0$ and argue under the measure \mathbb{N}_r . Recall from the beginning of Section 5 the definition of the exit local time $(\ell_s^0)_{s \geq 0}$, and the fact that $\ell_\sigma^0 = \mathcal{Z}_0$. We will need a different approximation of this process. Recall the notation $\tau_0(\mathbf{w}) = \inf\{t \in [0, \zeta_{(\mathbf{w})}] : \mathbf{w}(t) = 0\}$ for $\mathbf{w} \in \mathcal{W}$.

Proposition 34. *We have \mathbb{N}_r a.e., for every $t \geq 0$,*

$$\ell_t^0 = \lim_{\varepsilon \rightarrow 0} \frac{1}{\varepsilon^2} \int_0^t ds \mathbf{1}_{\{\tau_0(W_s) \geq \zeta_s, \widehat{W}_s < \varepsilon\}}.$$

We note that the condition $\tau_0(W_s) \geq \zeta_s$ holds only if $\tau_0(W_s) = \zeta_s$ or $\tau_0(W_s) = \infty$. We refer to Appendix A below for a proof of Proposition 34, which is a refinement of [2, Lemma 14]. The motivation for this result is the fact that it will allow us to reinterpret the exit local time in terms of W truncated at 0. As in Section 8, we write $W^{\text{tr}} = \text{tr}_0(W)$, so that $W_s^{\text{tr}} = W_{\eta_s}$, with $(\eta_s)_{s \geq 0}$ defined in (48). We set, for every $s \geq 0$,

$$L_s^0 = \ell_{\eta_s}^0.$$

Then as a consequence of the preceding proposition, we have, \mathbb{N}_r a.e., for every $t \geq 0$,

$$L_t^0 = \lim_{\varepsilon \rightarrow 0} \frac{1}{\varepsilon^2} \int_0^t ds \mathbf{1}_{\{\widehat{W}_s^{\text{tr}} < \varepsilon\}}. \quad (58)$$

We note that $(L_s^0)_{s \geq 0}$ has continuous sample paths, \mathbb{N}_0 a.e.: The point is that, if $\eta_{s-} < \eta_s$, then necessarily $\tau_0(W_u) \leq \zeta_u$ for every $u \in (\eta_{s-}, \eta_s)$ and this implies that $\ell_{\eta_{s-}}^0 = \ell_{\eta_s}^0$ (for instance by using the preceding proposition, together with the fact that $\{s : \tau_0(W_s) = \zeta_s\}$ has zero Lebesgue measure).

Recall the notation \mathcal{T}^{tr} , p_{tr} introduced in Section 8. Under the probability measure $\mathbb{N}_r^{[0]} = \mathbb{N}_r(\cdot \mid W_* \leq 0)$, the construction of Section 8 yields a pointed measure metric space $(\Theta', \Delta, \mathbf{V}')$ associated with W^{tr} . Recall that Θ' is obtained as a quotient space of \mathcal{T}^{tr} and write Π_{tr} for the canonical projection from \mathcal{T}_{tr} onto Θ' . Also recall that, by definition,

$$\partial\Theta' = \Pi_{\text{tr}}(\{a \in \mathcal{T}^{\text{tr}} : Z_a = 0\}).$$

Proposition 35. *For every $t \in [0, \mathcal{Z}_0)$, set*

$$\gamma_t^0 := \inf\{s \geq 0 : L_s^0 > t\}$$

and $\gamma_{\mathcal{Z}_0}^0 := \gamma_0^0$. Then, $\mathbb{N}_r^{[0]}$ a.s., the mapping

$$[0, \mathcal{Z}_0] \ni t \mapsto \Pi_{\text{tr}}(p_{\text{tr}}(\gamma_t^0))$$

defines a simple continuous loop in Θ' whose range is $\partial\Theta'$.

Proof. From (31), we have

$$\text{supp}(dL_s^0) = \{s \geq 0 : \tau_0(W_s^{\text{tr}}) = \zeta_s^{\text{tr}}\}, \quad (59)$$

with the obvious notation ζ_s^{tr} .

Let us start by showing that the mapping of the proposition is continuous. Since $t \mapsto \gamma_t^0$ is right-continuous with left limits on $[0, \mathcal{Z}_0)$, the desired continuity on $[0, \mathcal{Z}_0)$ will follow if we can prove that $\Pi_{\text{tr}}(p_{\text{tr}}(\gamma_t^0)) = \Pi_{\text{tr}}(p_{\text{tr}}(\gamma_{t-}^0))$ whenever $t \in [0, \mathcal{Z}_0)$ is such that $\gamma_{t-}^0 < \gamma_t^0$. If this occurs, we have by definition

$$L_{\gamma_t^0}^0 = L_{\gamma_{t-}^0}^0$$

showing that, for $\gamma_{t-}^0 < u < \gamma_t^0$ we must have $\tau_0(W_u^{\text{tr}}) = \infty$ (use (59)). But we know (Proposition 32) that this implies $\Delta(p_{\text{tr}}(\gamma_t^0), p_{\text{tr}}(\gamma_{t-}^0)) = 0$ and thus $\Pi_{\text{tr}}(p_{\text{tr}}(\gamma_t^0)) = \Pi_{\text{tr}}(p_{\text{tr}}(\gamma_{t-}^0))$. A similar argument (noting that $\gamma_{\mathcal{Z}_0-}^0 = \sup\{s \in [0, \sigma(W^{\text{tr}})] : \widehat{W}_s^{\text{tr}} = 0\}$) implies that $\Pi_{\text{tr}}(p_{\text{tr}}(\gamma_{\mathcal{Z}_0-}^0)) = \Pi_{\text{tr}}(p_{\text{tr}}(\gamma_0^0))$, giving the desired continuity at $t = \mathcal{Z}_0$.

We next prove that the range of the mapping of the proposition is $\partial\Theta'$. It follows from (59) that any $u \geq 0$ such that $u = \gamma_t^0$ for some $t \in [0, \mathcal{Z}_0]$ is such that $\tau_0(W_u^{\text{tr}}) = \zeta_u^{\text{tr}}$, which implies $p_{\text{tr}}(u) \in \{a \in \mathcal{T}^{\text{tr}} : Z_a = 0\}$, and $\Pi_{\text{tr}}(p_{\text{tr}}(\gamma_u^0)) \in \partial\Theta'$.

Conversely, if $a \in \mathcal{T}^{\text{tr}}$ and $Z_a = 0$, then $a = p_{\text{tr}}(s)$ for some $s \in [0, \sigma(W^{\text{tr}})]$ such that $\widehat{W}_s^{\text{tr}} = 0$, hence necessarily $\tau_0(W_s^{\text{tr}}) = \zeta_s^{\text{tr}}$. By (59), s must be an increase time of L^0 and so $s = \gamma_t^0$ or $s = \gamma_{t-}^0$ for some $t \in [0, \mathcal{Z}_\sigma]$. But we saw that $\Pi_{\text{tr}}(p_{\text{tr}}(\gamma_t^0)) = \Pi_{\text{tr}}(p_{\text{tr}}(\gamma_{t-}^0))$, so that, in either case, we obtain that $\Pi_{\text{tr}}(a)$ is in the range of the mapping of the proposition.

It only remains to verify that the mapping $[0, \mathcal{Z}_0] \ni t \mapsto \Pi_{\text{tr}}(p_{\text{tr}}(\gamma_t^0))$ is injective. However, if $0 \leq s < t < \mathcal{Z}_0$, there exist times u with $\gamma_s^0 < u < \gamma_t^0$ such that $\widehat{W}_u^{\text{tr}} = 0$, and, by Proposition 32 (ii), we know that $p_{\text{tr}}(\gamma_s^0)$ and $p_{\text{tr}}(\gamma_t^0)$ are then not identified in Θ' . \square

Write $(\Lambda_t)_{0 \leq t \leq Z_0}$ for the loop with range $\partial\Theta'$ defined in Proposition 35. The image of Lebesgue measure on $[0, Z_0]$ under $t \mapsto \Lambda_t$ then defines a finite measure ν on $\partial\Theta'$ with total mass Z_0 . This is the uniform measure on $\partial\Theta'$ in the sense of the following proposition.

Proposition 36. *Almost surely under $\mathbb{N}_r^{[0]}$, for every bounded continuous function φ on Θ' ,*

$$\langle \nu, \varphi \rangle = \lim_{\varepsilon \rightarrow 0} \frac{1}{\varepsilon^2} \int_{\Theta'} \mathbf{V}'(dx) \varphi(x) \mathbf{1}_{\{\Delta(x, \partial\Theta') < \varepsilon\}}.$$

Proof. By definition,

$$\langle \nu, \varphi \rangle = \int_0^{L_\sigma^0} dt \varphi(\Lambda_t) = \int_0^{L_\sigma^0} dt \varphi(\Pi_{\text{tr}}(p_{\text{tr}}(\gamma_t^0))) = \int_0^{\sigma_{\text{tr}}} dL_s^0 \varphi(\Pi_{\text{tr}}(p_{\text{tr}}(s))),$$

where $\sigma_{\text{tr}} = \sigma(W^{\text{tr}})$. By (58), we know that the measures

$$\frac{1}{\varepsilon^2} \mathbf{1}_{\{\widehat{W}_t^{\text{tr}} < \varepsilon\}} \mathbf{1}_{[0, \sigma_{\text{tr}}]}(t) dt$$

converge weakly to dL_t^0 as $\varepsilon \rightarrow 0$. Consequently,

$$\langle \nu, \varphi \rangle = \lim_{\varepsilon \rightarrow 0} \frac{1}{\varepsilon^2} \int_0^{\sigma_{\text{tr}}} dt \mathbf{1}_{\{\widehat{W}_t^{\text{tr}} < \varepsilon\}} \varphi(\Pi_{\text{tr}}(p_{\text{tr}}(t))).$$

The desired result follows since, by Proposition 32 (i) and the definition of the volume measure on Θ' ,

$$\int_0^{\sigma_{\text{tr}}} dt \mathbf{1}_{\{\widehat{W}_t^{\text{tr}} < \varepsilon\}} \varphi(\Pi_{\text{tr}}(p_{\text{tr}}(t))) = \int_{\Theta'} \mathbf{V}'(dx) \varphi(x) \mathbf{1}_{\{\Delta(x, \partial\Theta') < \varepsilon\}}.$$

□

We can restate the last two propositions in terms of the Brownian disk.

Corollary 37. *Let $z > 0$. The following properties hold $\mathbb{N}_0^{*,z}$ a.s.*

(i) *The limit*

$$L_s := \lim_{\varepsilon \rightarrow 0} \frac{1}{\varepsilon^2} \int_0^s dt \mathbf{1}_{\{\widehat{W}_t < \varepsilon\}}$$

exists for every $s \in [0, \sigma]$, and defines a continuous increasing function with $L_\sigma = z$.

(ii) *Set $\gamma_t = \inf\{s \in [0, \sigma] : L_s > t\}$ for every $t \in [0, z]$, and $\gamma_z = \sigma$. The image of $(\gamma_t)_{0 \leq t \leq z}$ under the canonical projection from $[0, \sigma]$ onto Θ defines a simple continuous loop whose range is $\partial\Theta$.*

(iii) *Let $(\Lambda_t)_{0 \leq t \leq z}$ be the continuous loop obtained in (ii), and let ν_z be the image of Lebesgue measure on $[0, z]$ under the mapping $t \mapsto \Lambda_t$. Then, for every bounded continuous function φ on Θ ,*

$$\langle \nu_z, \varphi \rangle = \lim_{\varepsilon \rightarrow 0} \frac{1}{\varepsilon^2} \int_{\Theta} \mathbf{V}(dx) \varphi(x) \mathbf{1}_{\{\Delta(x, \partial\Theta) < \varepsilon\}}.$$

All these properties follow from the previous propositions and the re-rooted representation theorem (Theorem 14), which links the measure \mathbb{N}_0^* with the laws of truncated snakes. To be more precise, one first obtains that the properties of the corollary hold under \mathbb{N}_0^* . It follows that they hold under $\mathbb{N}_0^{*,z}$ for a.a. values of $z > 0$, but then a scaling argument shows that they must hold for every value of $z > 0$.

Proposition 2 stated in the introduction follows from part (iii) of Corollary 37.

11 Brownian disks filling in the holes of the Brownian net

In this section, we deal with the free Brownian map \mathcal{M} under the measure \mathbb{N}_0 , as defined in Section 3.5. Recall that \mathcal{M} has the two distinguished points x_* and x_0 , and that $D(x_*, x_0) = -W_*$.

The metric net \mathbf{N} is the closed subset of \mathcal{M} defined as the closure of

$$\bigcup_{0 < r < -W_*} \partial \mathfrak{H}_r,$$

where \mathfrak{H}_r denotes the hull of radius r , which is defined for $0 < r < -W_*$ (recall from Section 7 that this hull is the complement of the connected component of the complement of the ball $B(x_*, r)$ containing x_0). The connected components of the complement of the metric net are called Brownian disks in [45]. The goal of the next theorem is to provide a precise justification to this terminology.

Before stating this result, recall from [36, Section 8] that connected components of $\mathcal{M} \setminus \mathbf{N}$ are in one-to-one correspondence with jump times of the exit measure process $(\mathcal{Z}_r)_{r < 0}$ (we noticed in Section 5 that this process has a càdlàg modification). We denote the sequence of these jump times (ordered by decreasing size of the jumps) by r_1, r_2, \dots and the associated connected components of $\mathcal{M} \setminus \mathbf{N}$ by $\mathbf{D}^{(1)}, \mathbf{D}^{(2)}, \dots$. As usual, $\overline{\mathbf{D}}^{(j)}$ denotes the closure of $\mathbf{D}^{(j)}$ in \mathcal{M} . For every $j \geq 1$, we can equip $\mathbf{D}^{(j)}$ with the intrinsic metric $d_{\text{intr}}^{(j)}$, such that $d_{\text{intr}}^{(j)}(x, y)$ is the infimum of the lengths (computed with respect to D) of continuous paths in $\mathbf{D}^{(j)}$ connecting x to y . We also write $\mathbf{v}^{(j)}$ for the restriction of the volume measure on \mathcal{M} to $\mathbf{D}^{(j)}$.

Theorem 38. \mathbb{N}_0 a.e., for every $j = 1, 2, \dots$, the metric $d_{\text{intr}}^{(j)}$ has a continuous extension to $\overline{\mathbf{D}}^{(j)}$, which is a metric on $\overline{\mathbf{D}}^{(j)}$. Furthermore, conditionally on the exit measure process $(\mathcal{Z}_r)_{r < 0}$, the measure metric spaces $(\overline{\mathbf{D}}^{(j)}, d_{\text{intr}}^{(j)}, \mathbf{v}^{(j)})$, $j = 1, 2, \dots$ are independent free Brownian disks with respective perimeters $\Delta \mathcal{Z}_{r_j}$, $j = 1, 2, \dots$

Proof. We rely strongly on the results of [36, Section 8] and [2]. According to [36, Section 8], the connected components $\mathbf{D}^{(1)}, \mathbf{D}^{(2)}, \dots$ are also in one-to-one correspondence with excursions of the Brownian snake above its minimum, as defined in [2, Section 3]. For the sake of completeness, we briefly recall the definition of these excursions (notice that this definition is quite different from the definition of excursions outside (b, ∞) in Section 5.1). We first introduce the closed subset \mathbf{F} of \mathcal{T}_ζ defined by

$$\mathbf{F} := p_\zeta(\{s \in [0, \sigma] : \underline{W}_s = \widehat{W}_s\}).$$

Roughly speaking, each excursion above the minimum describes the process of labels restricted to a connected component of the open set $\mathcal{T}_\zeta \setminus \mathbf{F}$. To explain this, say that $a \in \mathbf{F}$ is an excursion debut if a has a strict descendant b such that $Z_b > Z_a$ and $Z_c > Z_a$ for every interior point c of the geodesic segment between a and b in \mathcal{T}_ζ . For a given excursion debut a , the collection of such points b then forms a connected component of $\mathcal{T}_\zeta \setminus \mathbf{F}$ denoted by $\mathbf{C}_{(a)}$. Moreover, $\Pi(\mathbf{C}_{(a)})$ is a connected component of $\mathcal{M} \setminus \mathbf{N}$. In this way, one obtains one-to-one correspondences between excursion debuts, connected components of $\mathcal{T}_\zeta \setminus \mathbf{F}$ and connected components of $\mathcal{M} \setminus \mathbf{N}$ (see [36, Section 8]). Next, if a is a fixed excursion debut, there are exactly two times $0 < s_1 < s_2 < \sigma$ such that $p_\zeta(s_1) = p_\zeta(s_2) = a$, and the labels of descendants of a are described by the snake trajectory $\omega^{(a)}$ defined by saying that $\widehat{\omega}_s^{(a)} = \widehat{\omega}_{s_1+s} - Z_a$ and $\zeta_{(\omega_s^{(a)})} = \zeta_{s_1+s} - \zeta_{s_1}$ for $0 \leq s \leq \sigma(\omega^{(a)}) := s_2 - s_1$. The excursion above the minimum associated with a (or with the connected

component $\Pi(\mathbf{C}^{(a)})$) is then the truncation at 0 of the snake trajectory $\omega^{(a)}$ (this requires a minor extension of the definition given in Section 3.2, where the truncation level had to be different from the initial point of the snake trajectory — see the next section for an analogous definition of excursions above 0).

For every $j = 1, 2, \dots$, we write $W^{(j)}$ for the excursion above the minimum associated with $\mathbf{D}^{(j)}$, $\mathcal{T}^{(j)}$ for the genealogical tree of $W^{(j)}$ and $(Z_b^{(j)})_{b \in \mathcal{T}^{(j)}}$ for the labels on $\mathcal{T}^{(j)}$, and we also set $\mathcal{T}^{(j), \circ} := \{b \in \mathcal{T}^{(j)} : Z_b^{(j)} > 0\}$ and $\partial\mathcal{T}^{(j)} = \mathcal{T}^{(j)} \setminus \mathcal{T}^{(j), \circ}$.

By [2, Theorem 40], conditionally on $(\mathcal{Z}_r)_{r < 0}$, $W^{(1)}, W^{(2)}, \dots$ are independent and distributed according to $\mathbb{N}_0^{*, \Delta Z_{r_1}}, \mathbb{N}_0^{*, \Delta Z_{r_2}}, \dots$ respectively. We can thus define, for every $j = 1, 2, \dots$, a measure metric space $(\Theta^{(j)}, \Delta^{(j)}, \mathbf{V}^{(j)})$ constructed from $W^{(j)}$ via the procedure of Section 8. Thanks to Theorem 1, the proof of Theorem 38 then boils down to verifying that, \mathbb{N}_0 a.e. for every $j = 1, 2, \dots$, $d_{\text{intr}}^{(j)}$ can be extended continuously to a metric on $\overline{\mathbf{D}}^{(j)}$, in such a way that

$$(\overline{\mathbf{D}}^{(j)}, d_{\text{intr}}^{(j)}, \mathbf{v}^{(j)}) = (\Theta^{(j)}, \Delta^{(j)}, \mathbf{V}^{(j)}) \quad (60)$$

in the sense of equality in \mathbb{M} .

Let us proceed to this verification. We note that $\mathcal{T}^{(j)}$ is identified canonically to the closure $\overline{C}^{(j)}$ of the connected component $C^{(j)}$ of $\mathcal{T}_\zeta \setminus \mathbf{F}$ corresponding to $\mathbf{D}^{(j)}$ (this basically follows from the construction of excursions above the minimum, see [2, Section 3]). More precisely, there is an isometric bijection $\varphi_j : \mathcal{T}^{(j)} \rightarrow \overline{C}^{(j)}$ which preserves labels up to a shift (to be specific, $Z_{\varphi_j(b)} = Z_b^{(j)} + z_j$, where $z_j = Z_{a_j}$ if a_j is the excursion debut corresponding to $C^{(j)}$) and is such that the following holds. We have $\varphi_j(\mathcal{T}^{(j), \circ}) = C^{(j)}$, and φ_j maps the volume measure on $\mathcal{T}^{(j)}$ to the volume measure on $\overline{C}^{(j)}$, and preserves intervals, in the sense that, for every $a, b \in \mathcal{T}^{(j)}$,

$$\varphi_j([a, b]) = [\varphi_j(a), \varphi_j(b)] \cap \overline{C}^{(j)}.$$

In particular, if $a, b \in \mathcal{T}^{(j), \circ}$, we have $[a, b] \cap \partial\mathcal{T}^{(j)} = \emptyset$ if and only if $[\varphi_j(a), \varphi_j(b)] \cap \partial C^{(j)} = \emptyset$ and then $\varphi_j([a, b]) = [\varphi_j(a), \varphi_j(b)]$.

As already mentioned, we have $\Pi(C^{(j)}) = \mathbf{D}^{(j)}$ and moreover $\Pi(\partial C^{(j)}) = \partial\mathbf{D}^{(j)}$ (see [36, Lemma 14]). Writing $\Pi^{(j)}$ for the canonical projection from $\mathcal{T}^{(j)}$ onto $\Theta^{(j)}$, we next observe that, for $a, b \in \mathcal{T}^{(j), \circ}$, we have

$$\Pi^{(j)}(a) = \Pi^{(j)}(b) \quad \text{if and only if} \quad \Pi(\varphi_j(a)) = \Pi(\varphi_j(b)). \quad (61)$$

This is a straightforward consequence of the preceding remarks: If $\Pi^{(j)}(a) = \Pi^{(j)}(b)$, then $Z_a^{(j)} = Z_b^{(j)}$ and at least one of the intervals $[a, b]$ or $[b, a]$ does not intersect $\partial\mathcal{T}^{(j), \circ}$ and is such that labels on this interval remain greater than or equal to $Z_a^{(j)}$. It follows that a similar property holds for $\varphi_j(a)$ and $\varphi_j(b)$ so that $\Pi(\varphi_j(a)) = \Pi(\varphi_j(b))$. The converse is obtained in the same way.

Thanks to (61), the restriction of φ_j to $\mathcal{T}^{(j), \circ}$ induces a bijection $\Phi^{(j)}$ from $\Theta^{(j)} \setminus \partial\Theta^{(j)} = \Pi^{(j)}(\mathcal{T}^{(j), \circ})$ onto $\mathbf{D}^{(j)} \setminus \partial\mathbf{D}^{(j)} = \Pi(C^{(j)})$, and we have $\Phi^{(j)} \circ \Pi^{(j)}(a) = \Pi \circ \varphi_j(a)$ for every $a \in \mathcal{T}^{(j), \circ}$. This bijection is an isometry:

$$\Delta^{(j)}(x, y) = d_{\text{intr}}^{(j)}(\Phi^{(j)}(x), \Phi^{(j)}(y))$$

for every $x, y \in \Theta^{(j), \circ}$. Again this is a simple consequence of the preceding remarks. To prove that $\Delta^{(j)}(x, y) \geq d_{\text{intr}}^{(j)}(\Phi^{(j)}(x), \Phi^{(j)}(y))$, we note that, in the definition (50) of $\Delta(a, b)$, each term

$\Delta^\circ(a_{i-1}, a_i)$ can be interpreted (provided it is finite) as the length of a curve connecting a_{i-1} to a_i , namely the union of two simple geodesics starting from a_{i-1} and from a_i up to their merging time (see [32] for the definition and properties of simple geodesics). To get the reverse inequality, we use the definition of the intrinsic distance, formula (9) expressing $D(a, b)$ as an infimum and the fact that, with an obvious notation, $D^\circ(a, b) = \Delta^{(j), \circ}(\varphi_j^{-1}(a), \varphi_j^{-1}(b))$ if $a, b \in C^{(j)}$ are such that $D^\circ(a, b) < Z_a + Z_b - 2z_j$ (see the remark before Proposition 30). Details are left to the reader.

Since $\Phi^{(j)}$ is isometric, simple arguments show that it has a unique extension to a mapping $\bar{\Phi}^{(j)}$ from $\Theta^{(j)}$ onto $\bar{\mathbf{D}}^{(j)}$, such that $\bar{\Phi}^{(j)} \circ \Pi^{(j)} = \Pi \circ \varphi_j$. The fact that $\bar{\Phi}^{(j)}$ is onto is immediate from the last equality. We claim that $\bar{\Phi}^{(j)}$ is also one-to-one. This will complete the proof of the proposition, since then the bijection $\bar{\Phi}^{(j)}$ will map $\Delta^{(j)}$ to the (unique) continuous extension of $d_{\text{intr}}^{(j)}$ to $\bar{\mathbf{D}}^{(j)}$, thus showing that (60) holds (the fact that $\bar{\Phi}^{(j)}$ also maps the volume measure on $\Theta^{(j)}$ to the volume measure on $\bar{\mathbf{D}}^{(j)}$ is immediate).

It remains to verify that $\bar{\Phi}^{(j)}$ is one-to-one. So let $x, y \in \partial\Theta^{(j)}$ with $x \neq y$. Write $x = \Pi^{(j)}(a)$ and $y = \Pi^{(j)}(b)$, with $a, b \in \partial\mathcal{T}^{(j)}$. By Proposition 32 (ii) (and Corollary 33), the fact that $x \neq y$ implies that there exists $c \in]a, b[$ such that $Z_c^{(j)} = 0$ (and the same if $]a, b[$ is replaced by $]b, a[$). In fact, there must exist infinity many such values of c , because otherwise an application of the triangle inequality for $\Delta^{(j)}$ would imply that $\Delta^{(j)}(a, b) = 0$ and so $\Pi^{(j)}(a) = \Pi^{(j)}(b)$. Next, from the fact that φ_j preserves intervals (and labels up to a shift) we also get that both $] \varphi_j(a), \varphi_j(b)[$ and $] \varphi_j(b), \varphi_j(a)[$ contain infinitely many values of c such that $Z_c = Z_{\varphi_j(a)} = Z_{\varphi_j(b)}$. This implies that $\Pi \circ \varphi_j(a) \neq \Pi \circ \varphi_j(b)$ so that $\bar{\Phi}^{(j)}(x) \neq \bar{\Phi}^{(j)}(y)$. This completes the proof. \square

12 Brownian disks in the Brownian map

This section is devoted to the proof of Theorem 3, which is somewhat more delicate than the proof of Theorem 38 in the preceding section. In several parts of the proof, we argue under the measure \mathbb{N}_0 rather than under $\mathbb{N}_0^{(1)}$.

For the reader's convenience, we have broken the proof in several steps. The first three steps are devoted to checking that connected components of $\mathcal{M} \setminus B(x_*, r)$ are in one-to-one correspondence with connected components of $\{a \in \mathcal{T}_\zeta : Z_a > W_* + r\}$, then using this to define the boundary lengths of components of $\mathcal{M} \setminus B(x_*, r)$ (via Corollary 37), and to verify that the intrinsic distance on each component \mathbf{C} has a continuous extension to the closure $\bar{\mathbf{C}}$. It turns out that it is easier to derive the latter properties for the random value $r = -W_*$ under \mathbb{N}_0 , and then a re-rooting invariance argument allows us to obtain that they hold for a fixed value of r , still under \mathbb{N}_0 (Step 2). We in fact want these properties to also hold under $\mathbb{N}_0^{(s)} = \mathbb{N}_0(\cdot \mid \sigma = s)$, for every $s > 0$, and then we need an extra absolute continuity argument (Step 3). Step 4 is the heart of the proof. Again, we start by considering the special case $r = -W_*$, and we use the excursion theory of [2] to derive the conditional independence and the law of the connected components of $\mathcal{M} \setminus B(x_*, -W_*)$, and a re-rooting invariance argument then allows us to prove that the same properties hold under $\mathbb{N}_0^{(s)}$ for almost all values of r . Since we want the result to hold for *every* value of r , we need another argument (Step 5) relying on the absolute continuity properties already used in Step 3.

We will use the local times of the process $(\widehat{W}_s)_{s \geq 0}$. There exists a process $(L^{(u)})_{u \in \mathbb{R}}$ with continuous sample paths and nonnegative values, such that, \mathbb{N}_0 a.e. for every nonnegative

measurable function φ on \mathbb{R} ,

$$\int_0^\sigma dt \varphi(\widehat{W}_t) = \int_{\mathbb{R}} du \varphi(u) L^{(u)}.$$

The same result holds if we replace \mathbb{N}_0 by $\mathbb{N}_0^{(s)}$ for any $s > 0$. See [11] for the case of $\mathbb{N}_0^{(1)}$, from which the other cases follow immediately. Notice that $L^{(r)} = 0$ if $r \notin (W_*, W^*)$. On the other hand, the explicit distribution of $L^{(0)}$ under $\mathbb{N}_0^{(1)}$ found in [11, Corollary 3.4] shows that $L^{(0)} > 0$, \mathbb{N}_0 a.e. or $\mathbb{N}_0^{(s)}$ a.s. We also set

$$\sigma_- := \int_0^\sigma dt \mathbf{1}_{\{\widehat{W}_t < 0\}}.$$

Step 1. \mathbb{N}_0 a.e., or $\mathbb{N}_0^{(s)}$ a.s., for every $r \in (W_*, W^*)$, the mapping $\mathcal{C} \mapsto \Pi(\mathcal{C})$ induces a one-to-one correspondence between connected components of $\{a \in \mathcal{T}_\zeta : Z_a > W_* + r\}$ and connected components of $\mathcal{M} \setminus B(x_*, r)$.

Indeed, let \mathcal{C} be a connected component of $\{a \in \mathcal{T}_\zeta : Z_a > W_* + r\}$. Then $\Pi(\mathcal{C})$ is connected and it is easy to verify that $\Pi^{-1}(\Pi(\mathcal{C})) = \mathcal{C}$ (the continuous cactus bound (15) shows that if $a \in \mathcal{C}$ the property $\Pi(a) = \Pi(b)$ may only hold if $b \in \mathcal{C}$). Since the topology on \mathcal{M} is the quotient topology, it follows that $\Pi(\mathcal{C})$ is open. Finally, if $b \notin \mathcal{C}$ the geodesic path in \mathcal{T}_ζ from b to an arbitrary point a of \mathcal{C} visits a point c such that $Z_c \leq W_* + r$, so that by [32, Proposition 3.1], any path in \mathcal{M} from $\Pi(b)$ to $\Pi(a)$ must visit a point of $B(x_*, r)$, thus proving that $\Pi(b)$ does not belong to the connected component of $\mathcal{M} \setminus B(x_*, r)$ containing $\Pi(\mathcal{C})$, and we conclude that this connected component is indeed $\Pi(\mathcal{C})$. For future use, we also notice that the boundary of $\Pi(\mathcal{C})$ is equal to $\Pi(\partial\mathcal{C})$ (we leave the proof as an easy exercise).

Step 2. We claim that, for every fixed $r > 0$, the following properties hold \mathbb{N}_0 a.e. on the event $\{r < W^* - W_*\}$:

- (a) For every connected component \mathbf{C} of $\mathcal{M} \setminus B(x_*, r)$, the limit

$$|\partial\mathbf{C}| := \lim_{\varepsilon \rightarrow 0} \frac{1}{\varepsilon^2} \mathbf{v}(\{x \in \mathbf{C} : D(x, \partial\mathbf{C}) < \varepsilon\})$$

exists in $(0, \infty)$.

- (b) The quantities $|\partial\mathbf{C}|$ when \mathbf{C} varies among the connected components of $\mathcal{M} \setminus B(x_*, r)$ are distinct.
- (c) For every connected component \mathbf{C} of $\mathcal{M} \setminus B(x_*, r)$, the intrinsic metric on \mathbf{C} has a continuous extension to the closure $\overline{\mathbf{C}}$, which is a metric on $\overline{\mathbf{C}}$.

To obtain the preceding properties when r is a fixed (deterministic) quantity, we will in fact start with the case where $r = -W_*$ is random. Note that, by Step 1, the connected components of $\mathcal{M} \setminus B(x_*, -W_*)$ are in one-to-one correspondence with the connected components of $\{a \in \mathcal{T}_\zeta : Z_a > 0\}$. Let $\mathcal{C}^{(1)}, \mathcal{C}^{(2)}, \dots$ be the connected components of the set $\{a \in \mathcal{T}_\zeta : Z_a > 0\}$ (we will explain later how they are ordered), and let $\mathbf{C}^1 = \Pi(\mathcal{C}^{(1)})$, $\mathbf{C}^2 = \Pi(\mathcal{C}^{(2)})$, \dots be the corresponding connected components of $\mathcal{M} \setminus B(x_*, -W_*)$. These objects are also in one-to-one correspondence with the Brownian snake excursions above 0, which will be denoted by $W^{(1)}, W^{(2)}, \dots$. Let us recall the definition of these excursions, following closely [2]. We first notice that, for every $j = 1, 2, \dots$, there is a unique $a_j \in \mathcal{T}_\zeta$ that belongs to the closure of $\mathcal{C}^{(j)}$ and is such that $\mathcal{C}^{(j)}$ is

contained in the set of descendants of a_j in \mathcal{T}_ζ . Furthermore, there exist $0 < u_j < v_j \leq \sigma$ such the latter set of descendants is equal to $p_\zeta([u_j, v_j])$, and we define a snake trajectory $\widetilde{W}^{(j)} \in \mathcal{S}_0$ with duration $v_j - u_j$ by setting

$$\widetilde{W}_s^{(j)}(t) := W_{(u_j+s) \wedge v_j}(t), \quad 0 \leq t \leq \widetilde{\zeta}_s^{(j)} := \zeta_{(u_j+s) \wedge v_j}.$$

Since we are only interested in values $s \in [0, v_j - u_j]$ such that $p_\zeta(u_j + s)$ belongs to (the closure of) $\mathcal{C}^{(j)}$, we introduce the time change

$$\pi_s^{(j)} := \inf\{u \geq 0 : \int_0^u dt \mathbf{1}_{\{\tau_0^*(\widetilde{W}_t^{(j)}) > \widetilde{\zeta}_t^{(j)}\}} > s\},$$

with the notation $\tau_0^*(w) = \inf\{t > 0 : w(t) = 0\}$ for $w \in \mathcal{W}$. The effect of this time change is to eliminate the paths $W_s^{(j)}$ that return to 0 and then survive for a positive amount of time (in fact, the closure of $\mathcal{C}^{(j)}$ is equal to $\{p_\zeta((u_j + \pi_s^{(j)}) \wedge v_j) : s \geq 0\}$). We define another snake trajectory by setting

$$W_s^{(j)} = \widetilde{W}_{\pi_s^{(j)}}^{(j)},$$

for every $s \geq 0$. We call $W^{(1)}, W^{(2)}, \dots$ the Brownian snake excursions above 0 — note that we can similarly define the excursions below 0 corresponding to the connected components of $\{a \in \mathcal{T}_\zeta : Z_a < 0\}$.

It follows from [2, Theorem 4] (together with Corollary 37 (i)) that, \mathbb{N}_0 a.e. for every $j = 1, 2, \dots$, the boundary size $|\partial\mathcal{C}^{(j)}|$ can be defined by

$$|\partial\mathcal{C}^{(j)}| := \lim_{\varepsilon \rightarrow 0} \frac{1}{\varepsilon^2} \text{Vol}(\{a \in \mathcal{C}^{(j)} : Z_a < \varepsilon\}) = \lim_{\varepsilon \rightarrow 0} \frac{1}{\varepsilon^2} \int_0^{\sigma(W^{(j)})} ds \mathbf{1}_{\{\widehat{W}_s^{(j)} < \varepsilon\}}, \quad (62)$$

where we write Vol for the volume measure on \mathcal{T}_ζ .

The quantities $|\partial\mathcal{C}^{(1)}|, |\partial\mathcal{C}^{(2)}|, \dots$ are distinct \mathbb{N}_0 a.e. (they indeed correspond to jumps of a continuous-state branching process with stable branching mechanism) and therefore we may and will assume that the components $\mathcal{C}^{(1)}, \mathcal{C}^{(2)}, \dots$ (and consequently the excursions $W^{(1)}, W^{(2)}, \dots$) have been ranked so that $|\partial\mathcal{C}^{(1)}| > |\partial\mathcal{C}^{(2)}| > \dots$. Furthermore, [2, Theorem 4] implies that, under \mathbb{N}_0 and conditionally on the sequence of boundary sizes $(|\partial\mathcal{C}^{(1)}|, |\partial\mathcal{C}^{(2)}|, \dots)$, the excursions $W^{(1)}, W^{(2)}, \dots$ are independent and distributed respectively according to

$$\mathbb{N}_0^{*, |\partial\mathcal{C}^{(1)}|}, \mathbb{N}_0^{*, |\partial\mathcal{C}^{(2)}|}, \dots$$

and are also independent of the excursions below 0.

It now follows from (62) that property (a) stated above holds when $r = -W_*$, and $|\partial\mathcal{C}^j| = |\partial\mathcal{C}^{(j)}|$ (notice that $D(x, \partial\mathcal{C}^j) = Z_a$ if $x = \Pi(a)$ and $a \in \mathcal{C}^{(j)}$). By a preceding remark, property (b) also holds. As for (c), a straightforward adaptation of the arguments of the proof of Theorem 38 allows us to verify that, for every $j = 1, 2, \dots$, the intrinsic metric on \mathbf{C}^j can be extended continuously to a metric on the closure $\overline{\mathbf{C}}^j$, and the resulting metric space equipped with the restriction of the volume measure \mathbf{v} coincides (as an element of \mathbb{M}) with the Brownian disk associated with the excursion $W^{(j)}$ — this makes sense since we know that, conditionally on $|\partial\mathcal{C}^{(j)}|$, $W^{(j)}$ is distributed according to $\mathbb{N}_0^{*, |\partial\mathcal{C}^{(j)}|}$. In what follows, we simply write $\overline{\mathbf{C}}^j$ for this random measure metric space.

So properties (a),(b),(c) hold if r is replaced by the random quantity $-W_*$. By a re-rooting invariance argument (see [38, Theorem 2.3]), we then obtain that these properties hold for

$r = \widehat{W}_t - W_*$, for a.a. $t \in (0, \sigma)$, \mathbb{N}_0 a.e. It follows that they also hold for a.a. $r \in (0, W^* - W_*)$, \mathbb{N}_0 a.e. From a Fubini argument, one can pick one value of $r_0 > 0$ such that (a),(b),(c) hold for $r = r_0$, \mathbb{N}_0 a.e. on the event $\{r_0 < W^* - W_*\}$. But then the scaling property of \mathbb{N}_0 shows that (a),(b),(c) hold for every $r > 0$ (on the event $\{r < W^* - W_*\}$). This completes Step 2.

Step 3. Let $s > 0$ and $r > 0$. The properties (a),(b),(c) stated in Step 2 also hold $\mathbb{N}_0^{(s)}$ a.e. on the event $\{r < W^* - W_*\}$.

The fact that this is true for a.a. $s > 0$ follows from Step 2, but it does not seem easy to get the result for *every* $s > 0$. However, we may use the following absolute continuity argument that will also be useful later. We fix $\eta > 0$, and, on the event $\{\zeta_{\sigma/2} > \eta\}$, we define

$$R_{(\eta)} := \sup\{t \in (0, \sigma/2) : \zeta_t = \eta\}, \quad S_{(\eta)} := \inf\{t \in (\sigma/2, \sigma) : \zeta_t = \eta\}.$$

Still on the event $\{\zeta_{\sigma/2} > \eta\}$, we consider the snake trajectory $(W_u^\eta)_{u \geq 0}$ defined by

$$W_u^\eta(t) := W_{(R_{(\eta)}+u) \wedge S_{(\eta)}}(\eta + t) - \widehat{W}_{R_{(\eta)}}, \quad 0 \leq t \leq \zeta_u^\eta := \zeta_{(R_{(\eta)}+u) \wedge S_{(\eta)}} - \eta,$$

and we also set

$$m^\eta := \min\{\widehat{W}_u : u \in [0, R_{(\eta)}] \cup [S_{(\eta)}, 1]\} \quad M^\eta := \max\{\widehat{W}_u : u \in [0, R_{(\eta)}] \cup [S_{(\eta)}, 1]\}.$$

Roughly speaking, the definition of W^η means that we remove a part of the genealogical tree near the root and shift the labels so that the label of the new root is again zero. It is not hard to prove (see the proof of Proposition 10 in [35]) that the distribution of W^η under $\mathbb{N}_0^{(s)}(\cdot \cap \{\zeta_{\sigma/2} > \eta\})$ is absolutely continuous with respect to \mathbb{N}_0 .

Recall the notation \mathcal{L}^\bullet in Lemma 6. On the event $\{\zeta_{\sigma/2} > \eta\} \cap \{W_* < m^\eta < M^\eta < W_* + r\}$, each connected component of the complement of the ball $B(x_*, r)$ in $\mathcal{L}^\bullet(W)$ is identified with a corresponding connected component of the complement of the same ball in $\mathcal{L}^\bullet(W^\eta)$. Furthermore this identification is isometric if either connected component is equipped with its intrinsic metric. We can thus use the preceding absolute continuity property and Step 2 to see that properties (a),(b),(c) hold $\mathbb{N}_0^{(s)}$ a.e. on the event $\{W_* < m^\eta < M^\eta < W_* + r\} \cap \{\zeta_{\sigma/2} > \eta\} \cap \{r < W^* - W_*\}$.

Clearly, if η is small, $\mathbb{N}_0^{(s)}(\zeta_{\sigma/2} > \eta)$ is close to 1. This is not the case for $\mathbb{N}_0^{(s)}(W_* < m^\eta < M^\eta < W_* + r)$, but we may use the re-rooting invariance property (14), recalling that the space $\mathcal{L}^\bullet(W)$ does not change if we replace W by $W^{[t]}$ for some $t \in [0, \sigma]$. If $\eta > 0$ is small enough then, with $\mathbb{N}_0^{(s)}$ -probability close to one, we will be able to find a rational $t \in [0, s]$ such that the property $W_* < m^\eta < M^\eta < W_* + r$ holds when W is replaced by $W^{[t]}$. This completes Step 3.

Step 4. Thanks to Step 3, we can define, $\mathbb{N}_0^{(s)}$ a.e. on the event $\{r < W^* - W_*\}$, the sequence $\mathbf{C}^{r,j}$, $j = 1, 2, \dots$ of connected components of $\mathcal{M} \setminus B(x_*, r)$ and their boundary sizes. This sequence is ordered in such a way that $|\partial \mathbf{C}^{r,1}| > |\partial \mathbf{C}^{r,2}| > \dots$. Also for every $j = 1, 2, \dots$, we know that the intrinsic metric $d_{\text{intr}}^{r,j}$ on $\mathbf{C}^{r,j}$ has a continuous extension to a metric on $\overline{\mathbf{C}}^{r,j}$. For the sake of simplicity, in the following lines, the notation $\overline{\mathbf{C}}^{r,j}$ will be used to represent the measure metric space $(\overline{\mathbf{C}}^{r,j}, d_{\text{intr}}^{r,j}, \mathbf{v}^{r,j})$.

We now aim at establishing the last part of Theorem 3. Let us come back to the excursions $W^{(1)}, W^{(2)}, \dots$ above 0 under \mathbb{N}_0 . By preceding observations, under \mathbb{N}_0 and conditionally on the sequence $(|\partial \mathcal{C}^{(1)}|, |\partial \mathcal{C}^{(2)}|, \dots)$, the excursions $W^{(1)}, W^{(2)}, \dots$ are independent of the triple

$$(W_*, \sigma_-, L^{(0)}),$$

because W_* is just the minimal value attained in all excursions below 0, σ_- is the sum of the sizes of all the latter excursions and the local time $L^{(0)}$ is a measurable function of the collection of excursions below 0, since

$$L^{(0)} = \lim_{\varepsilon \rightarrow 0} \frac{1}{\varepsilon} \int_0^\sigma dt \mathbf{1}_{\{-\varepsilon \leq \widehat{W}_t < 0\}}.$$

Let $n \geq 1$ and let G and H be nonnegative measurable functions defined respectively on \mathbb{R}^2 and on $\mathbb{R} \times \mathbb{R}^{\mathbb{N}}$. Also let Φ_1, \dots, Φ_n be nonnegative measurable functions on \mathbb{M} . Recall that, for every $j = 1, 2, \dots$, $\overline{\mathbf{C}}^j$ is the Brownian disk associated with $W^{(j)}$. Using the fact that, conditionally on the sequence of boundary sizes $(|\partial \mathbf{C}^{(1)}|, |\partial \mathbf{C}^{(2)}|, \dots)$, the excursions $W^{(1)}, W^{(2)}, \dots$ are independent and distributed respectively according to $\mathbb{N}_0^{*, |\partial \mathbf{C}^{(1)}|}, \mathbb{N}_0^{*, |\partial \mathbf{C}^{(2)}|}, \dots$, together with Theorem 1 and the observation of the preceding paragraph, we have

$$\begin{aligned} & \mathbb{N}_0 \left(G(W_*, L^{(0)}) H \left(\sigma_-, (|\partial \mathbf{C}^i|)_{i \geq 1} \right) \prod_{i=1}^n \Phi_i(\overline{\mathbf{C}}^i) \right) \\ &= \mathbb{N}_0 \left(G(W_*, L^{(0)}) H \left(\sigma_-, (|\partial \mathbf{C}^i|)_{i \geq 1} \right) \prod_{i=1}^n \mathbb{F}_{|\partial \mathbf{C}^i|}(\Phi_i) \right). \end{aligned}$$

We slightly modify the last formula by conditioning also on the volumes $\mathbf{v}(\mathbf{C}^1), \mathbf{v}(\mathbf{C}^2), \dots$. Recalling the notation $\mathbb{F}_{z,v}$ for the distribution of the Brownian disk with perimeter z and volume v , we get from the previous display and standard arguments that

$$\begin{aligned} & \mathbb{N}_0 \left(G(W_*, L^{(0)}) H \left(\sigma_-, (|\partial \mathbf{C}^i|, \mathbf{v}(\mathbf{C}^i))_{i \geq 1} \right) \prod_{i=1}^n \Phi_i(\overline{\mathbf{C}}^i) \right) \\ &= \mathbb{N}_0 \left(G(W_*, L^{(0)}) H \left(\sigma_-, (|\partial \mathbf{C}^i|, \mathbf{v}(\mathbf{C}^i))_{i \geq 1} \right) \prod_{i=1}^n \mathbb{F}_{|\partial \mathbf{C}^i|, \mathbf{v}(\mathbf{C}^i)}(\Phi_i) \right), \end{aligned}$$

where the function H is now nonnegative and measurable on $\mathbb{R} \times (\mathbb{R}^2)^{\mathbb{N}}$. Noting that

$$\sigma = \sigma_- + \sum_{j=1}^{\infty} \mathbf{v}(\mathbf{C}^j),$$

we get from the preceding display that, for any nonnegative measurable functions G, g and H defined respectively on \mathbb{R}^2 , on \mathbb{R} and on $(\mathbb{R}^2)^{\mathbb{N}}$, we have

$$\begin{aligned} & \mathbb{N}_0 \left(G(W_*, L^{(0)}) g(\sigma) H \left((|\partial \mathbf{C}^i|, \mathbf{v}(\mathbf{C}^i))_{i \geq 1} \right) \prod_{i=1}^n \Phi_i(\overline{\mathbf{C}}^i) \right) \\ &= \mathbb{N}_0 \left(G(W_*, L^{(0)}) g(\sigma) H \left((|\partial \mathbf{C}^i|, \mathbf{v}(\mathbf{C}^i))_{i \geq 1} \right) \prod_{i=1}^n \mathbb{F}_{|\partial \mathbf{C}^i|, \mathbf{v}(\mathbf{C}^i)}(\Phi_i) \right), \end{aligned}$$

The last formula still holds if we replace \mathbb{N}_0 by $\mathbb{N}_0^{(s)}$ for any $s > 0$. Indeed, using (13) and the fact that g can be any nonnegative measurable function, we get that the formula must hold under $\mathbb{N}_0^{(s)}$ simultaneously for any choice of $G, g, H, \Phi_1, \dots, \Phi_n$, for a.a. s , but then a scaling argument shows that it holds for all $s > 0$.

We next apply the formula of the last display (with \mathbb{N}_0 replaced by $\mathbb{N}_0^{(s)}$) with $g = 1$ and $G(W_*, L^{(0)}) = h(-W_*)/L^{(0)}$, where h is a nonnegative measurable function on \mathbb{R}_+ . It follows that

$$\begin{aligned} & \mathbb{N}_0^{(s)} \left(\frac{h(-W_*)}{L^{(0)}} H\left(\left(|\partial \mathbf{C}^i|, \mathbf{v}(\mathbf{C}^i)\right)_{i \geq 1}\right) \prod_{i=1}^n \Phi_i(\overline{\mathbf{C}}^i) \right) \\ &= \mathbb{N}_0^{(s)} \left(\frac{h(-W_*)}{L^{(0)}} H\left(\left(|\partial \mathbf{C}^i|, \mathbf{v}(\mathbf{C}^i)\right)_{i \geq 1}\right) \prod_{i=1}^n \mathbb{F}_{|\partial \mathbf{C}^i|, \mathbf{v}(\mathbf{C}^i)}(\Phi_i) \right). \end{aligned} \quad (63)$$

We rewrite the left-hand side of (63) by using the invariance of $\mathbb{N}_0^{(s)}$ under re-rooting. Note that, if W is replaced by $W^{[t]}$, for some fixed $t \in [0, s]$, then W_* is replaced by $W_* - \widehat{W}_t$, $L^{(0)}$ is replaced by $L(\widehat{W}_t)$, and $\mathbf{C}^1, \mathbf{C}^2, \dots$ are replaced by the connected components $\mathbf{C}^{\widehat{W}_t - W_*, 1}, \mathbf{C}^{\widehat{W}_t - W_*, 2}, \dots$ of $\mathcal{M} \setminus B(x_*, \widehat{W}_t - W_*)$. Hence, we get that the left-hand side of (63) is equal to

$$\begin{aligned} & \frac{1}{s} \mathbb{N}_0^{(s)} \left(\int_0^s dt \frac{h(\widehat{W}_t - W_*)}{L(\widehat{W}_t)} H\left(\left(|\partial \mathbf{C}^{\widehat{W}_t - W_*, i}|, \mathbf{v}(\mathbf{C}^{\widehat{W}_t - W_*, i})\right)_{i \geq 1}\right) \prod_{i=1}^n \Phi_i(\overline{\mathbf{C}}^{\widehat{W}_t - W_*, i}) \right) \\ &= \frac{1}{s} \mathbb{N}_0^{(s)} \left(\int_{W_*}^{W^*} du h(u - W_*) H\left(\left(|\partial \mathbf{C}^{u - W_*, i}|, \mathbf{v}(\mathbf{C}^{u - W_*, i})\right)_{i \geq 1}\right) \prod_{i=1}^n \Phi_i(\overline{\mathbf{C}}^{u - W_*, i}) \right) \\ &= \frac{1}{s} \mathbb{N}_0^{(s)} \left(\int_0^{W^* - W_*} dr h(r) H\left(\left(|\partial \mathbf{C}^{r, i}|, \mathbf{v}(\mathbf{C}^{r, i})\right)_{i \geq 1}\right) \prod_{i=1}^n \Phi_i(\overline{\mathbf{C}}^{r, i}) \right) \\ &= \frac{1}{s} \int_0^\infty dr h(r) \mathbb{N}_0^{(s)} \left(\mathbf{1}_{\{r < W^* - W_*\}} H\left(\left(|\partial \mathbf{C}^{r, i}|, \mathbf{v}(\mathbf{C}^{r, i})\right)_{i \geq 1}\right) \prod_{i=1}^n \Phi_i(\overline{\mathbf{C}}^{r, i}) \right). \end{aligned}$$

In the first equality, we used the definition of the local times.

Note that, in the previous lines we left aside certain measurability issues, concerning in particular the measurability of the mapping $r \mapsto (\overline{\mathbf{C}}^{r, 1}, \dots, \overline{\mathbf{C}}^{r, n})$. To deal with these issues, one may observe that the connected components of $\{a \in \mathcal{T}_\zeta : Z_a > W_* + r\}$ can be represented by Brownian snake excursions above 0 (in the case $r = -W_*$ these are the excursions $W^{(1)}, W^{(2)}, \dots$ introduced above) and the collection of these excursions depends on r in a measurable way. Furthermore, the measure metric spaces $\overline{\mathbf{C}}^{r, 1}, \overline{\mathbf{C}}^{r, 2}, \dots$ are obtained as measurable functions of these excursions (this measurability property can be verified by an adaptation of the arguments of Section 3.3, but we omit the details).

By the same manipulations, we obtain that the right-hand side of (63) is equal to

$$\frac{1}{s} \int_0^\infty dr h(r) \mathbb{N}_0^{(s)} \left(\mathbf{1}_{\{r < W^* - W_*\}} H\left(\left(|\partial \mathbf{C}^{r, i}|, \mathbf{v}(\mathbf{C}^{r, i})\right)_{i \geq 1}\right) \prod_{i=1}^n \mathbb{F}_{|\partial \mathbf{C}^{r, i}|, \mathbf{v}(\mathbf{C}^{r, i})}(\Phi_i) \right).$$

Since the function h was arbitrary, the equality of the quantities in the last two displays means that for a.a. $r > 0$ we have

$$\begin{aligned} & \mathbb{N}_0^{(s)} \left(\mathbf{1}_{\{r < W^* - W_*\}} H\left(\left(|\partial \mathbf{C}^{r, i}|, \mathbf{v}(\mathbf{C}^{r, i})\right)_{i \geq 1}\right) \prod_{i=1}^n \Phi_i(\overline{\mathbf{C}}^{r, i}) \right) \\ &= \mathbb{N}_0^{(s)} \left(\mathbf{1}_{\{r < W^* - W_*\}} H\left(\left(|\partial \mathbf{C}^{r, i}|, \mathbf{v}(\mathbf{C}^{r, i})\right)_{i \geq 1}\right) \prod_{i=1}^n \mathbb{F}_{|\partial \mathbf{C}^{r, i}|, \mathbf{v}(\mathbf{C}^{r, i})}(\Phi_i) \right). \end{aligned} \quad (64)$$

Step 5. We now prove that (64) holds for every $r > 0$, which will complete the proof of Theorem 3. We may assume that H, Φ_1, \dots, Φ_n are bounded and continuous. It is then enough to prove

that both sides of (64) are continuous functions of r for a fixed value of $s > 0$. By a simple scaling argument, this is equivalent to showing continuity in s for a fixed value of $r > 0$.

It turns out to be easier to deal first with the quantities

$$\mathbb{N}_0^{(s)}\left(\mathbf{1}_{\{-W_* < r\}} \mathbf{1}_{\{r < W^* - W_*\}} H\left(\left(|\partial \mathbf{C}^{r,i}|, \mathbf{v}(\mathbf{C}^{r,i})\right)_{i \geq 1}\right) \prod_{i=1}^n \Phi_i(\overline{\mathbf{C}}^{r,i})\right) \quad (65)$$

and

$$\mathbb{N}_0^{(s)}\left(\mathbf{1}_{\{-W_* < r\}} \mathbf{1}_{\{r < W^* - W_*\}} H\left(\left(|\partial \mathbf{C}^{r,i}|, \mathbf{v}(\mathbf{C}^{r,i})\right)_{i \geq 1}\right) \prod_{i=1}^n \mathbb{E}_{|\partial \mathbf{C}^{r,i}|, \mathbf{v}(\mathbf{C}^{r,i})}(\Phi_i)\right). \quad (66)$$

So let us fix $r > 0$ and discuss continuity in the variable s of the quantities (65) and (66). We rely on the same absolute continuity argument as in Step 3 above. Recall the notation W^η, m^η, M^η introduced in Step 3 (these random quantities are defined under $\mathbb{N}_0^{(s)}$ on the event $\{\zeta_{s/2} > \eta\}$). We also note that, as $s' \rightarrow s$, the distribution of W^η under $\mathbb{N}_0^{(s')}(\cdot \cap \{\zeta_{s'/2} > \eta\})$ converges to the distribution of W^η under $\mathbb{N}_0^{(s)}(\cdot \cap \{\zeta_{s/2} > \eta\})$ in variation distance (recalling our notation $\zeta_u^\eta = \zeta_{(W_u^\eta)}$, it suffices to prove the analogous convergence for the distribution of ζ^η , and one can use the explicit formulas available under the Brownian excursion measure — we leave the details as an exercise for the reader).

Let us argue on $\{-W_* < r\}$ but discard the event $\{\zeta_{s/2} \leq \eta\} \cup \{-W_* < r \leq M^\eta - W_*\} \cup \{W_* = m^\eta\}$, which has small $\mathbb{N}_0^{(s)}$ -probability when η is small, uniformly when s varies over a compact subset of $(0, \infty)$. We already noticed in Step 3 that, on the complement of the latter event in $\{-W_* < r\}$, the connected components of the complement of the ball $B(x_*, r)$ in $\mathcal{L}^\bullet(W)$ are identified isometrically with the connected components of the complement of the same ball in $\mathcal{L}^\bullet(W^\eta)$. It follows that the quantity

$$\mathbf{1}_{\{-W_* < r\}} \mathbf{1}_{\{r < W^* - W_*\}} H\left(\left(|\partial \mathbf{C}^{r,i}|, \mathbf{v}(\mathbf{C}^{r,i})\right)_{1 \leq i \leq n}\right) \prod_{i=1}^n \Phi_i(\overline{\mathbf{C}}^{r,i})$$

coincides with a measurable function of W^η , except on a set of $\mathbb{N}_0^{(s)}$ -probability small when $\eta \rightarrow 0$ (uniformly when s varies in a compact subset of \mathbb{R}_+). Since we know that (for a fixed value of η), the distribution of W^η under $\mathbb{N}_0^{(s')}(\cdot \cap \{\zeta_{\sigma/2} > \eta\})$ converges in variation distance to the distribution of W^η under $\mathbb{N}_0^{(s)}(\cdot \cap \{\zeta_{\sigma/2} > \eta\})$ when $s \rightarrow s'$, this suffices to give the desired continuity in s of the quantity (65), and the same argument applies to the quantity (66).

We then use a re-rooting invariance argument, recalling the remark at the end of Section 3.3. If W is replaced by $W^{[t]}$ for some $t \in [0, s]$ the quantity inside the expectation in (65) does not change, except that $\mathbf{1}_{\{-W_* < r\}}$ is replaced by $\mathbf{1}_{\{\widehat{W}_t - W_* < r\}}$. Noting that

$$\int_0^s \mathbf{1}_{\{\widehat{W}_t - W_* < r\}} dt = \mathbf{v}(B(x_*, r)), \quad \mathbb{N}_0^{(s)} \text{ a.s.},$$

we see that the quantity (65) is also equal to

$$\mathbb{N}_0^{(s)}\left(\mathbf{1}_{\{r < W^* - W_*\}} \frac{\mathbf{v}(B(x_*, r))}{s} H\left(\left(|\partial \mathbf{C}^{r,i}|, \mathbf{v}(\mathbf{C}^{r,i})\right)_{i \geq 1}\right) \prod_{i=1}^n \Phi_i(\overline{\mathbf{C}}^{r,i})\right)$$

Next since

$$\mathbf{v}(B(x_*, r)) = s - \sum_{i=1}^{\infty} \mathbf{v}(\mathbf{C}^{r,i}), \quad \mathbb{N}_0^{(s)} \text{ a.s.},$$

by changing the function H in an appropriate way, we derive that, for every $\delta > 0$, the quantity

$$\mathbb{N}_0^{(s)} \left(\mathbf{1}_{\{r < W^* - W_*\}} \frac{\mathbf{v}(B(x_*, r))}{\mathbf{v}(B(x_*, r)) + \delta} H \left((|\partial \mathbf{C}^{r,i}|, \mathbf{v}(\mathbf{C}^{r,i}))_{i \geq 1} \right) \prod_{i=1}^n \Phi_i(\overline{\mathbf{C}}^{r,i}) \right)$$

depends continuously on s . When $\delta \rightarrow 0$, the quantity in the last display converges to the left-hand side of (64) uniformly when s varies in a compact subset of $(0, \infty)$, so that we also obtain that the left-hand side of (64) depends continuously on s . The same argument applies to the right-hand side, and this completes the proof of Theorem 3.

Appendix A. Proof of Proposition 34.

We will use properties of the Brownian snake that can be found in [30]. We fix $r > 0$ and view the Brownian snake as a strong Markov process with values in \mathcal{W}_r , which is killed at the first time σ when its lifetime hits 0 (the measure \mathbb{N}_r is then viewed as the excursion measure of this Markov process away from the trivial path consisting only of the point r). We keep the notation $(W_s)_{s \geq 0}$ for this Markov process, and $(\zeta_s)_{s \geq 0}$ for the associated lifetime process — we slightly abuse notation since in the previous sections $(W_s)_{s \geq 0}$ stood for the canonical process on the space of snake trajectories. For $w \in \mathcal{W}_r$, we write \mathbb{P}_w for the probability measure under which $W_0 = w$. As in Section 8, we write $(B_t)_{t \geq 0}$ for a standard linear Brownian motion that starts at x under the probability measure \mathbf{P}_x , and $\tau_y := \inf\{t \geq 0 : B_t = y\}$ for every $y \in \mathbb{R}$.

The definition of the exit local time $(\ell_s^0)_{s \geq 0}$ makes sense under each probability measure \mathbb{P}_w , $w \in \mathcal{W}_r$. We recall the first moment formulas

$$\mathbb{N}_r \left(\int_0^\sigma ds F(W_s) \right) = \int_0^\infty du \mathbf{E}_r[F((B_t)_{0 \leq t \leq u})], \quad (67)$$

and

$$\mathbb{N}_r \left(\int_0^\sigma d\ell_s^0 F(W_s) \right) = \mathbf{E}_r[F((B_t)_{0 \leq t \leq \tau_0})], \quad (68)$$

which hold for any nonnegative measurable function F on \mathcal{W}_r (see Propositions IV.2 and V.3 in [30]).

We fix $K > 1$ and, for every $\varepsilon > 0$, we set

$$A_t^{\varepsilon, K} := \frac{1}{\varepsilon^2} \int_0^t ds \mathbf{1}_{\{\tau_0(W_s) \geq \zeta_s, \tau_K(W_s) = \infty, \widehat{W}_s < \varepsilon\}},$$

for every $t \geq 0$. We also define

$$\ell_t^{0, K} := \int_0^t d\ell_s^0 \mathbf{1}_{\{\tau_K(W_s) = \infty\}}.$$

Then both $A_t^{\varepsilon, K}$ and $\ell_t^{0, K}$ are additive functionals of the Brownian snake. The potential of these additive functionals is easy to compute using [30, Lemma V.5] and formulas (67) and (68). For every $w \in \mathcal{W}_r$,

$$h(w) := \mathbb{E}_w[\ell_\sigma^{0, K}] = 2 \int_0^{\zeta_{(w)} \wedge \tau_0(w) \wedge \tau_K(w)} dt \psi(w(t)), \quad (69)$$

$$h_\varepsilon(w) := \mathbb{E}_w[A_\sigma^{\varepsilon, K}] = 2 \int_0^{\zeta_{(w)} \wedge \tau_0(w) \wedge \tau_K(w)} dt \varphi_\varepsilon(w(t)), \quad (70)$$

where, for every $x \in (0, K)$,

$$\psi(x) := \mathbf{P}_x(\tau_0 < \tau_K) = \frac{K - x}{K},$$

and

$$\varphi_\varepsilon(x) := \mathbf{E}_x \left[\frac{1}{\varepsilon^2} \int_0^{\tau_0 \wedge \tau_K} ds \mathbf{1}_{\{B_s < \varepsilon\}} \right] = \frac{1}{\varepsilon^2} \int_{(0, \varepsilon)} dy G(x, y),$$

where we write G for the Green function of Brownian motion killed at $\tau_0 \wedge \tau_K$. From the explicit formula $G(x, y) = 2K^{-1}(x \wedge y)(K - (x \vee y))$, we readily get that we also $\varphi_\varepsilon(x) = \psi(x)$ if $x \geq \varepsilon$, and $\varphi_\varepsilon(x) \leq \psi(x) \leq 1$ for every $x \in (0, K)$.

Then,

$$\begin{aligned} \mathbb{N}_r((\ell_\sigma^{0,K})^2) &= 2\mathbb{N}_r \left(\int_0^\sigma d\ell_s^{0,K} \mathbb{E}_{W_s}[\ell_\sigma^{0,K}] \right) = 4 \mathbf{E}_r \left[\mathbf{1}_{\{\tau_0 < \tau_K\}} \int_0^{\tau_0 \wedge \tau_K} dt \psi(B_t) \right] \\ &= 4 \int_0^\infty dt \mathbf{E}_r \left[\mathbf{1}_{\{t < \tau_0 \wedge \tau_K\}} \psi(B_t) \mathbf{P}_{B_t}(\tau_0 < \tau_K) \right] \\ &= 4 \mathbf{E}_r \left[\int_0^{\tau_0 \wedge \tau_K} dt \psi(B_t)^2 \right] \end{aligned}$$

using (69) and (68) in the second equality. Similarly,

$$\begin{aligned} \mathbb{N}_r(\ell_\sigma^{0,K} A_\sigma^{\varepsilon,K}) &= 2\mathbb{N}_r \left(\int_0^\sigma d\ell_s^{0,K} \mathbb{E}_{W_s}[A_s^{\varepsilon,K}] \right) = 4 \mathbf{E}_r \left[\mathbf{1}_{\{\tau_0 < \tau_K\}} \int_0^{\tau_0 \wedge \tau_K} dt \varphi_\varepsilon(B_t) \right] \\ &= 4 \mathbf{E}_r \left[\int_0^{\tau_0 \wedge \tau_K} dt \psi(B_t) \varphi_\varepsilon(B_t) \right], \end{aligned}$$

using (70) and (68). Furthermore, using (70) and (67), it is also easy to verify that

$$\mathbb{N}_r((A_\sigma^{\varepsilon,K})^2) = 4 \mathbf{E}_r \left[\int_0^{\tau_0 \wedge \tau_K} dt \varphi_\varepsilon(B_t)^2 \right],$$

in such a way that we obtain

$$\mathbb{N}_r((\ell_\sigma^{0,K} - A_\sigma^{\varepsilon,K})^2) = 4 \mathbf{E}_r \left[\int_0^{\tau_0 \wedge \tau_K} dt (\psi(B_t) - \varphi_\varepsilon(B_t))^2 \right].$$

Take $\varepsilon \in (0, r)$. Since $\psi(x) = \varphi_\varepsilon(x)$ when $x \in (\varepsilon, K)$, we get

$$\mathbb{N}_r((\ell_\sigma^{0,K} - A_\sigma^{\varepsilon,K})^2) \leq 4 \mathbf{E}_r \left[\int_0^{\tau_0 \wedge \tau_K} dt \mathbf{1}_{\{B_t < \varepsilon\}} \right] \leq 4\varepsilon^2.$$

Let us fix $\delta > 0$. We note that both $(A_{t \wedge \sigma}^{\varepsilon,K} + h_\varepsilon(W_{t \wedge \sigma}))_{t \geq \delta}$ and $(\ell_{t \wedge \sigma}^{0,K} + h(W_{t \wedge \sigma}))_{t \geq \delta}$ are uniformly integrable martingales under $\mathbb{N}_0(\cdot \mid \sigma \geq \delta)$. Since the terminal values of these martingales are $A_\sigma^{\varepsilon,K}$ and $\ell_\sigma^{0,K}$ respectively, we deduce from the last display and Doob's maximal inequality for martingales that

$$\mathbb{N}_r \left(\sup_{t \geq \delta} \left(\ell_{t \wedge \sigma}^{0,K} - A_{t \wedge \sigma}^{\varepsilon,K} + h(W_{t \wedge \sigma}) - h_\varepsilon(W_{t \wedge \sigma}) \right)^2 \mid \sigma \geq \delta \right) \leq 4 \mathbb{N}_r((\ell_\sigma^{0,K} - A_\sigma^{\varepsilon,K})^2 \mid \sigma \geq \delta) \leq c_\delta \varepsilon^2,$$

where $c_\delta > 0$ is a constant depending on δ . Set $\varepsilon_n = n^{-1}$ for every $n \geq 1$. It follows from the preceding display that

$$\lim_{n \rightarrow \infty} \sup_{t \geq \delta} \left| \ell_{t \wedge \sigma}^{0,K} - A_{t \wedge \sigma}^{\varepsilon_n, K} + h(W_{t \wedge \sigma}) - h_{\varepsilon_n}(W_{t \wedge \sigma}) \right| = 0, \quad \mathbb{N}_r \text{ a.e.}$$

Since δ is arbitrary, and since $h_{\varepsilon_n}(w) \rightarrow h(w)$ as $n \rightarrow \infty$, for any $w \in \mathcal{W}_r$, it follows that

$$\lim_{n \rightarrow \infty} A_{t \wedge \sigma}^{\varepsilon_n, K} = \ell_{t \wedge \sigma}^{0, K} \quad \text{for every } t \geq 0, \mathbb{N}_r \text{ a.e.}$$

We apply this result to a sequence of values of K tending to $+\infty$, noting that we have $A_t^{\varepsilon_n, K} = \varepsilon_n^{-2} \int_0^t ds \mathbf{1}_{\{\tau_0(W_s) \geq \zeta_s, \widehat{W}_s < \varepsilon_n\}}$ and $\ell_t^{0, K} = \ell_t^0$ for every $t \geq 0$ and every n , except on a set of \mathbb{N}_r -measure tending to 0 as $K \rightarrow \infty$. This gives the result of the proposition, except that we restricted ourselves to the sequence $(\varepsilon_n)_{n \geq 1}$. The proof is however completed by a straightforward monotonicity argument. \square

Appendix B. Proof of Proposition 17.

We write q_k^\uparrow for the quadrangulation with a boundary obtained at the k -th step of the (lazy) peeling algorithm of the UIPQ. Recall that S_k^\uparrow is the half-perimeter of q_k^\uparrow and write M_k^\uparrow for the volume (number of faces) of q_k^\uparrow . We have then the following convergence in distribution in the Skorokhod sense

$$\left(n^{-2/3} S_{[nt]}^\uparrow, n^{-4/3} M_{[nt]}^\uparrow \right)_{t \geq 0} \xrightarrow[n \rightarrow \infty]{(d)} \left(\Upsilon_{t/3}^\uparrow, \mathcal{V}_{t/3}^\uparrow \right)_{t \geq 0}, \quad (71)$$

where the processes Υ^\uparrow and \mathcal{V}^\uparrow are as in Section 6.4. See [12, Theorem 3] or [18, Section 5.3], noting that these references deal with a more general setting, and that one needs to compute the value of the relevant constants in the case of quadrangulations. At least for the first component, the convergence (71) is basically a consequence of invariance principles for random walks conditioned to stay positive [17].

On the other hand, we have, for every $k \geq 1$,

$$H_k^{(\infty)} = S_{R_k}^\uparrow, \quad V_k^{(\infty)} = M_{R_k}^\uparrow, \quad (72)$$

where we abuse notation by still writing R_k for the number of steps of the peeling algorithm needed for the k first layers of the UIPQ (in Section 6.3, we used the same notation but for the peeling of a Boltzmann quadrangulation instead of the UIPQ, this should however create no confusion here). In order to deduce Proposition 17 from (71), we thus need to control the time change (R_k) . To this end, the rough idea is that $R_{k+1} - R_k$ (the number of steps needed to discover the $k+1$ -st layer) is close to 3 times the half-perimeter $S_{R_k}^\uparrow$ of the hull of radius k . The appearance of the constant 3 comes from the property (39).

In order to make the preceding idea more precise, we introduce a probability measure \mathbb{P}_ℓ under which we run the peeling by layers algorithm of the UIPQ starting from a boundary of length 2ℓ . Under \mathbb{P}_ℓ , vertices of the initial boundary receive labels 0 or 1 alternatively. When running the peeling by layers algorithm, newly created vertices receive labels equal to their graph distances from the set of vertices with label 0. Note that the label of a vertex may change in the case of an event (B_j) or (B'_j) . We still write R_1 for the number of steps needed to complete the first layer, meaning that the boundary only contains vertices labeled 1 or 2, and $(S_k^\uparrow)_{k \geq 0}$ for the half-perimeter process under \mathbb{P}_ℓ (in particular $\mathbb{P}_\ell(S_0^\uparrow = \ell) = 1$).

Before we state our first lemma, we notice that, for any $1 \leq \ell' \leq \ell$, we have

$$\mathbb{P}_\ell \left(\min_{k \geq 0} S_k^\uparrow \leq \ell' \right) \leq \frac{\ell'}{\ell}. \quad (73)$$

This is a straightforward consequence of the identity (41) relating the laws of S^\uparrow and of S^\downarrow , or rather of the extension of this identity to the case where S^\uparrow and S^\downarrow both start from ℓ (and then the constant 2 has to be replaced by ℓ). We leave the details to the reader.

Lemma 39. *Let $\varepsilon > 0$. Then,*

$$\mathbb{P}_\ell(R_1 \geq (3 - \varepsilon)\ell) \xrightarrow{\ell \rightarrow \infty} 1. \quad (74)$$

Furthermore, we can find constants A_ε , C_ε and $\rho_\varepsilon > 0$ such that, for every $\ell \geq 1$,

$$\mathbb{P}_\ell(R_1 > (3 + \varepsilon)\ell, \inf_{k \geq 0} S_k^\uparrow > A_\varepsilon) \leq C_\varepsilon e^{-\rho_\varepsilon \ell}. \quad (75)$$

Proof. We start by proving (75). It is convenient to introduce a sequence $(\xi_k)_{k \geq 1}$ of integer-valued random variables defined as follows. If, at the k -th step of the peeling algorithm, the event (B_j) occurs (for some $j \in \{0, 1, \dots\}$), we take $\xi_k = j + 1$, and otherwise we take $\xi_k = 0$. Writing \mathcal{F}_k for the σ -field generated by the first k steps of the algorithm, the conditional distribution of ξ_{k+1} knowing \mathcal{F}_k is derived from the prescriptions in Section 6.2:

$$\mathbb{P}_\ell(\xi_{k+1} = j \mid \mathcal{F}_k) = \begin{cases} \frac{1}{2} p_{-j}^{(S_k^\uparrow)} & \text{if } j = 1, 2, \dots, S_k^\uparrow, \\ 1 - \frac{1}{2} \sum_{i=1}^{S_k^\uparrow} p_{-i}^{(S_k^\uparrow)} & \text{if } j = 0, \end{cases}$$

where the weights $p_{-j}^{(L)}$, for $L \geq 1$ and $1 \leq j \leq L$, are defined in Section 6.2.

Let N_k be the number of vertices labeled 0 at the k -th step of the algorithm (and $N_0 = \ell$), so that $R_1 = \inf\{k \geq 1 : N_k = 0\}$. From the definition of the algorithm, one easily gets that $N_{k+1} \leq (N_k - \xi_{k+1})^+$, for every $k = 0, 1, \dots, R_1 - 1$. It follows that $N_k \leq (\ell - (\xi_1 + \dots + \xi_k))^+$ for $k = 0, 1, \dots, R_1$, and therefore,

$$R_1 \leq \min\{k \geq 1 : \xi_1 + \dots + \xi_k \geq \ell\}.$$

For every integer $m \in \{1, \dots, \ell\}$, set $\Gamma_m := \min\{k \geq 0 : S_k^\uparrow \leq m\}$. Using the explicit form of h^\uparrow (and in particular the fact that $h^\uparrow(\ell + 1)/h^\uparrow(\ell)$ is a decreasing function of ℓ), we can, for every integer $k \geq 1$, couple ξ_1, \dots, ξ_k with i.i.d. random variables $\xi_1^{(m)}, \dots, \xi_k^{(m)}$ taking values in $\{0, 1, \dots\}$ and with common distribution determined by $\mathbb{P}(\xi_i^{(m)} = j) = p_{-j}^{(m)}$ for $j \geq 1$, in such a way that $\xi_i^{(m)} \leq \xi_i$ for every $i \in \{1, \dots, k\}$ on the event $\{\Gamma_m > k\}$. Using also the last display, we get that

$$\left(\{R_1 > k\} \cap \{\Gamma_m > k\}\right) \subset \{\xi_1^{(m)} + \dots + \xi_k^{(m)} < \ell\}.$$

Recalling (39), we can fix $m = A_\varepsilon$ large enough so that the mean value of the variables $\xi_i^{(A_\varepsilon)}$ is (strictly) greater than $(3 + \varepsilon)^{-1}$. We have then

$$\mathbb{P}_\ell(R_1 > (3 + \varepsilon)\ell, \inf_{k \geq 0} S_k^\uparrow > A_\varepsilon) \leq \mathbb{P}(\xi_1^{(A_\varepsilon)} + \dots + \xi_{\lfloor (3+\varepsilon)\ell \rfloor}^{(A_\varepsilon)} < \ell),$$

and standard large deviation results for sums of i.i.d. random variables give (75).

Let us turn to the proof of (75). The argument is slightly more involved since the upper bound $N_{k+1} \leq (N_k - \xi_{k+1})^+$ does not help us to find a lower bound for R_1 (the point is the fact that events of the type (B'_j) may also lead to a decrease of N_k). To begin with, we observe that we may run the peeling by layers algorithm on a model with infinite boundary represented

by \mathbb{Z} , in such a way that even integers are labeled 1 and odd integers are labeled 0. We start the algorithm from the edge $(0, 1)$ on the boundary, using the probabilities p_1 and $\frac{1}{2}p_{-j-1}$ for steps of type (A) and (B_j) (or (B'_j)) respectively. We notice that a step of type (A) occurs with probability $2/3$ and creates a vertex labeled 2. An event of type (B_j) does not change the number of vertices labeled 2, whereas an event of type (B'_j) can decrease the number of vertices labeled 2 by at most $j + 1$. Recalling (39), we easily deduce from the law of large numbers that the number of vertices labeled 2 converges to infinity a.s., which also means that after a certain (random) number of steps, the vertices that lie to the left of vertices labeled 2 are no longer affected by the algorithm. The same conclusion holds a fortiori if instead of using the probability weights p_1, p_{-j-1} ($j = 0, 1, \dots$) we use $p_1^{(L)}, p_{-j-1}^{(L)}$ ($j = 0, 1, \dots, L - 1$). Indeed we just have to observe that $p_1 \leq p_1^{(L)}$ and $p_{-j-1} \geq p_{-j-1}^{(L)}$.

Let us return to the case with finite boundary. By the first part of the proof and (73), we know that $\mathbb{P}_\ell(R_1 \leq 4\ell)$ tends to 1 as $\ell \rightarrow \infty$, and it easily follows that, for every $\delta > 0$,

$$\mathbb{P}_\ell\left(\sup_{k \leq R_1} |S_k^\uparrow - \ell| > \delta\ell\right) \xrightarrow{\ell \rightarrow \infty} 0.$$

A coupling argument relying on the law of large numbers also shows that $\mathbb{P}_\ell(R_1 \geq \sqrt{\ell})$ tends to 1 as $\ell \rightarrow \infty$. Therefore, if we set

$$E_\ell := \{R_1 \geq \sqrt{\ell}\} \cap \left\{ \sup_{k \leq R_1} |S_k^\uparrow - \ell| \leq \ell/2 \right\},$$

we have $\mathbb{P}_\ell(E_\ell) \rightarrow 1$ as $\ell \rightarrow \infty$. A comparison argument with the case of the infinite boundary discussed above now shows that the following holds on the event E_ℓ except maybe on a set of probability vanishing when $\ell \rightarrow \infty$: for every k such that $\lfloor \sqrt{\ell} \rfloor < k \leq R_1$, the k -th step of the peeling algorithm affects the number of vertices labeled 0 only if it is of type (B_j) . In other words, we can find an event $E'_\ell \subset E_\ell$ with $\mathbb{P}_\ell(E_\ell \setminus E'_\ell) \rightarrow 0$, such that on E'_ℓ we have

$$N_{k+1} = (N_k - \xi_{k+1})^+$$

for every $\lfloor \sqrt{\ell} \rfloor \leq k < R_1$. In a way similar to the first part of the proof, it follows that, still on the event E'_ℓ ,

$$R_1 - \lfloor \sqrt{\ell} \rfloor = \min\{j \geq 1 : \xi_{\lfloor \sqrt{\ell} \rfloor + 1} + \dots + \xi_{\lfloor \sqrt{\ell} \rfloor + j} \geq N_{\lfloor \sqrt{\ell} \rfloor}\}.$$

Since it is also clear that $\mathbb{P}_\ell(\ell - N_{\lfloor \sqrt{\ell} \rfloor} > \varepsilon\ell) \rightarrow 0$ as $\ell \rightarrow \infty$, for every $\varepsilon > 0$, and since we may couple the variables ξ_k with i.i.d. variables ξ'_k taking values in $\{0, 1, \dots\}$ with distribution given by $\mathbb{P}(\xi'_k = j) = p_{-j}$ for $j \geq 1$, in such a way that $\xi_k \leq \xi'_k$ for every k , a renewal-type argument using (39) gives (74). \square

In the next lemma, we come back to the peeling by layers algorithm of the UIPQ. We consider the “inverse process” of $(R_k)_{k \geq 1}$ defined by

$$T_n = k \quad \text{if and only if} \quad R_k \leq n < R_{k+1},$$

with the convention $R_0 = 0$.

Lemma 40. *Let $\varepsilon \in (0, 1)$ and $0 < s < t$. We have*

$$\mathbb{P}\left((3 - \varepsilon)(T_{\lfloor nt \rfloor} - T_{\lfloor ns \rfloor}) \times \min_{\lfloor ns \rfloor \leq i \leq \lfloor nt \rfloor} S_i^\uparrow \leq \lfloor nt \rfloor - \lfloor ns \rfloor + \varepsilon n\right) \xrightarrow{n \rightarrow \infty} 1, \quad (76)$$

and

$$\mathbb{P}\left((3 + \varepsilon)(T_{\lfloor nt \rfloor} - T_{\lfloor ns \rfloor}) \times \max_{\lfloor ns \rfloor \leq i \leq \lfloor nt \rfloor} S_i^\uparrow \geq \lfloor nt \rfloor - \lfloor ns \rfloor\right) \xrightarrow{n \rightarrow \infty} 1. \quad (77)$$

Proof. We start by proving (76). Since $R_{T_{[ns]}+1} \geq [ns]$ and $R_{T_{[nt]}} \leq [nt]$, we have

$$[nt] - [ns] \geq \sum_{j=1}^{T_{[nt]} - T_{[ns]} - 1} (R_{T_{[ns]}+j+1} - R_{T_{[ns]}+j}). \quad (78)$$

Now note that, for every $j \geq 1$, conditionally on the event $S_{R_{T_{[ns]}+j}}^\uparrow = \ell$, the distribution of

$$R_{T_{[ns]}+j+1} - R_{T_{[ns]}+j}$$

coincides with the distribution of R_1 under \mathbb{P}_ℓ . Recalling that $S_k^\uparrow \rightarrow \infty$ a.s. as $k \rightarrow \infty$, we then deduce from (74) that, for every $j \geq 1$,

$$\mathbb{P}\left(R_{T_{[ns]}+j+1} - R_{T_{[ns]}+j} > (3 - \varepsilon) S_{R_{T_{[ns]}+j}}^\uparrow\right) \xrightarrow{n \rightarrow \infty} 1.$$

Let $\eta > 0$. Consider also a constant $K > 1$. Then for any fixed $\delta \in (0, 1)$, the bound

$$R_{T_{[ns]}+j+1} - R_{T_{[ns]}+j} > (3 - \varepsilon) S_{R_{T_{[ns]}+j}}^\uparrow$$

holds for at least $[Kn^{1/3}] - [\delta n^{1/3}]$ values of $j \in \{1, 2, \dots, [Kn^{1/3}]\}$, except possibly on an event of probability bounded by η when n is large. Using (78), we obtain that the bound

$$\left((T_{[nt]} - T_{[ns]} - 1) \wedge [Kn^{1/3}]\right) \times (3 - \varepsilon) \min_{[ns] \leq i \leq [nt]} S_i^\uparrow \leq [nt] - [ns]$$

holds except on an event of probability bounded by η when n is large.

Now use (71) to observe that, if δ has been chosen small enough, we have

$$\delta n^{1/3} \times 3 \min_{[ns] \leq i \leq [nt]} S_i^\uparrow \leq \varepsilon n,$$

except on a set of probability bounded by η when n is large, and therefore the bound

$$\left((T_{[nt]} - T_{[ns]} - 1) \wedge [Kn^{1/3}]\right) \times (3 - \varepsilon) \min_{[ns] \leq i \leq [nt]} S_i^\uparrow \leq [nt] - [ns] + \varepsilon n$$

holds except on a set of probability bounded by 2η when n is large. Furthermore, we may also assume that K has been chosen large enough so that

$$[Kn^{1/3}] \times (3 - \varepsilon) \min_{[ns] \leq i \leq [nt]} S_i^\uparrow > [nt] - [ns] + \varepsilon n$$

except on a set of probability bounded by η when n is large. By putting together the previous observations, we conclude that

$$(T_{[nt]} - T_{[ns]} - 1) \times (3 - \varepsilon) \min_{[ns] \leq i \leq [nt]} S_i^\uparrow \leq [nt] - [ns] + \varepsilon n$$

except on a set of probability bounded by 3η when n is large. This proves (76).

Let us turn to the proof of (77). In a way similar to (78) we now write

$$[nt] - [ns] \leq R_{T_{[ns]}+1} - [ns] + \sum_{j=1}^{T_{[nt]} - T_{[ns]}} (R_{T_{[ns]}+j+1} - R_{T_{[ns]}+j}). \quad (79)$$

Let $\delta > 0$. Using (71) and (73), we can fix $\alpha > 0$ small enough so that, for every n ,

$$\mathbb{P}\left(\min_{k \geq \lfloor ns \rfloor} S_k^\uparrow \leq \alpha n\right) \leq \delta. \quad (80)$$

Then, using the Markovian properties of the peeling algorithm and (75), we get that for n large enough (such that $\alpha n > A_\varepsilon$), for every $j \geq 1$,

$$\mathbb{P}\left(R_{T_{\lfloor ns \rfloor} + j + 1} - R_{T_{\lfloor ns \rfloor} + j} \geq (3 + \varepsilon) S_{R_{T_{\lfloor ns \rfloor} + j}}^\uparrow, \min_{k \geq \lfloor ns \rfloor} S_k^\uparrow \geq \alpha n\right) \leq C_\varepsilon e^{-\rho_\varepsilon \alpha n}.$$

The same bound holds for the probability of the event

$$\left\{R_{T_{\lfloor ns \rfloor} + 1} - \lfloor ns \rfloor \geq (3 + \varepsilon) S_{\lfloor ns \rfloor}^\uparrow, \min_{k \geq \lfloor ns \rfloor} S_k^\uparrow \geq \alpha n\right\}.$$

By (76), we have $T_{\lfloor nt \rfloor} - T_{\lfloor ns \rfloor} \leq n$ with probability at least $1 - \delta$ when n large. Using also (80) and the preceding estimates, we deduce from (79) that we have for all large n ,

$$\lfloor nt \rfloor - \lfloor ns \rfloor \leq (T_{\lfloor nt \rfloor} - T_{\lfloor ns \rfloor} + 1) \times (3 + \varepsilon) \max_{\lfloor ns \rfloor \leq i \leq \lfloor nt \rfloor} S_i^\uparrow,$$

except on a set of probability bounded above by $2\delta + C_\varepsilon(n+1)e^{-\rho_\varepsilon \alpha n}$. This completes the proof of (77). \square

We need a last lemma before we proceed to the proof of Proposition 17.

Lemma 41. *The sequence of the distributions of $n^{-1/3}T_n$, $n \geq 1$, is tight.*

Proof. We need to verify that $\mathbb{P}(T_n > An^{1/3})$ can be made small uniformly in n by choosing $A > 0$ large. We observe that

$$\mathbb{P}(T_n > An^{1/3}) \leq \mathbb{P}(R_{\lfloor An^{1/3} \rfloor} \leq n) \leq \mathbb{P}(V_{\lfloor An^{1/3} \rfloor}^{(\infty)} \leq M_n^\uparrow)$$

since $V_k^{(\infty)} = M_{R_k}^\uparrow$ for every $k \geq 1$. By (71), we have

$$n^{-4/3} M_n^\uparrow \xrightarrow[n \rightarrow \infty]{(d)} \mathcal{V}_{1/3}^\uparrow.$$

On the other hand, the known results about the convergence of hulls in the UIPQ (see [19, Section 5] or [20, Section 6.2]) imply that

$$n^{-4/3} V_{\lfloor An^{1/3} \rfloor}^{(\infty)} \xrightarrow[n \rightarrow \infty]{(d)} \chi_A,$$

with a limiting process $(\chi_t)_{t \geq 0}$ such that $\chi_t \uparrow \infty$ as $t \uparrow \infty$. Notice that [19, 20] deal with “simple” hulls instead of the lazy hulls we consider here, but as far as volumes are concerned this makes no difference (we leave it as an exercise for the reader to check that the volume of the lazy hull of radius $r \geq 1$ is bounded above by the volume of the simple hull of the same radius, and bounded below by the volume of the simple hull of radius $r - 1$). It follows that

$$\limsup_{n \rightarrow \infty} \mathbb{P}(V_{\lfloor An^{1/3} \rfloor}^{(\infty)} \leq M_n^\uparrow) \leq \mathbb{P}(\chi_A \leq \mathcal{V}_{1/3}^\uparrow)$$

and the right-hand side can be made arbitrarily small by choosing A large. This completes the proof. \square

Let us turn to the proof of Proposition 17. We follow the method of [20, Proof of Proposition 10]. We fix $0 < s < t$. From Lemma 41 (or from the bound (76)), we may assume that along a suitable sequence of values of n , we have, for every integer $k \geq 0$ and every $1 \leq i \leq 2^k$,

$$n^{-1/3} \left(T_{\lfloor n(s+i2^{-k}(t-s)) \rfloor} - T_{\lfloor n(s+(i-1)2^{-k}(t-s)) \rfloor} \right) \xrightarrow[n \rightarrow \infty]{(d)} \Lambda_{k,i}^{(s,t)}$$

and these convergences hold jointly, and jointly with (71). From Lemma 40, we then get

$$\frac{2^{-k}(t-s)}{3 \sup_{s+(i-1)2^{-k}(t-s) \leq r \leq s+i2^{-k}(t-s)} \Upsilon_{r/3}^\uparrow} \leq \Lambda_{k,i}^{(s,t)} \leq \frac{2^{-k}(t-s)}{3 \inf_{s+(i-1)2^{-k}(t-s) \leq r \leq s+i2^{-k}(t-s)} \Upsilon_{r/3}^\uparrow}.$$

By summing these bounds over i and then letting $k \rightarrow \infty$, we get that necessarily

$$\Lambda_{0,1}^{(s,t)} = \frac{1}{3} \int_s^t \frac{dr}{\Upsilon_{r/3}^\uparrow}.$$

Since the limit does not depend on the sequence of values of n we were considering, we have thus proved that, for every $0 < s < t$,

$$n^{-1/3} (T_{\lfloor nt \rfloor} - T_{\lfloor ns \rfloor}) \xrightarrow[n \rightarrow \infty]{(d)} \frac{1}{3} \int_s^t \frac{dr}{\Upsilon_{r/3}^\uparrow}$$

and this convergence holds jointly with (71).

By Lemma 41, $n^{-1/3} T_{\lfloor ns \rfloor}$ is small in probability when s is small, uniformly in n . The convergence in the last display then implies that we have also, for every $t > 0$,

$$n^{-1/3} T_{\lfloor nt \rfloor} \xrightarrow[n \rightarrow \infty]{(d)} \frac{1}{3} \int_0^t \frac{dr}{\Upsilon_{r/3}^\uparrow} = \int_0^{t/3} \frac{dr}{\Upsilon_r^\uparrow}$$

and this convergence holds jointly with (71). By a monotonicity argument, the convergence in the last display holds in the functional sense (in the Skorokhod space), if both sides are viewed as processes indexed by $t \geq 0$. It follows that we have also

$$(n^{-3} R_{\lfloor nt \rfloor})_{t \geq 0} \xrightarrow[n \rightarrow \infty]{(d)} (3\Psi_t)_{t \geq 0},$$

where

$$\Psi_t = \inf \left\{ s \geq 0 : \int_0^s \frac{dr}{\Upsilon_r^\uparrow} > t \right\}$$

in agreement with the notation introduced in Proposition 17. The preceding converges again holds in the functional sense and jointly with (71). Finally, we use (72) and (71) to conclude that

$$\left(n^{-2} H_{\lfloor nt \rfloor}^{(\infty)}, n^{-4} V_{\lfloor nt \rfloor}^{(\infty)} \right)_{t \geq 0} = \left(n^{-2} S_{n^3 \times (n^{-3} R_{\lfloor nt \rfloor})}^\uparrow, n^{-4} M_{n^3 \times (n^{-3} R_{\lfloor nt \rfloor})}^\uparrow \right)_{t \geq 0}$$

converges in distribution to

$$\left(\Upsilon_{\Psi_t}^\uparrow, \mathcal{V}_{\Psi_t}^\uparrow \right)_{t \geq 0}.$$

This completes the proof of Proposition 17.

Acknowledgments. I wish to thank the referee for a very careful reading of the manuscript and several useful remarks. I am indebted to Nicolas Curien for many helpful discussions about the lazy peeling. I also thank Grégory Miermont for keeping me informed of his ongoing work on Brownian disks.

References

- [1] C. ABRAHAM, Rescaled bipartite planar maps converge to the Brownian map. *Ann. Inst. H. Poincaré Probab. Stat.* 52, 575-595 (2016)
- [2] C. ABRAHAM, J.-F. LE GALL, Excursion theory for Brownian motion indexed by the Brownian tree. *J. Eur. Math. Soc. (JEMS)*, to appear, [arXiv:1509.06616](#)
- [3] R. ABRAHAM, J.-F. DELMAS, P. HOSCHEIT, A note on the Gromov-Hausdorff-Prokhorov distance between (locally) compact metric measure spaces. *Electron. J. Probab.* 18, no. 14, 21 pp. (2013)
- [4] L. ADDARIO-BERRY, M. ALBENQUE, The scaling limit of random simple triangulations and random simple quadrangulations. *Ann. Probab.* 45, 2767–2825 (2017)
- [5] E. BAUR, G. MIERMONT, G. RAY, Classification of scaling limits of quadrangulations with a boundary. Preprint, available at [arXiv:1608.01129](#)
- [6] J. BERTOIN, *Lévy Processes*, Cambridge University Press, 1996
- [7] J. BERTOIN, N. CURIEN, I. KORTCHEMSKI, Random planar maps and growth-fragmentations. *Ann. Probab.*, to appear, [arXiv:1507.02265](#)
- [8] J. BETTINELLI, Scaling limit of random planar quadrangulations with a boundary. *Ann. Inst. H. Poincaré Probab. Stat.* 51, 432–477 (2015)
- [9] J. BETTINELLI, E. JACOB, G. MIERMONT, The scaling limit of uniform random plane maps, via the Ambjørn-Budd bijection. *Electron. J. Probab.* 19, no. 74, 1-16 (2014)
- [10] J. BETTINELLI, G. MIERMONT, Compact Brownian surfaces I. Brownian disks. *Probab. Theory Related Fields* 167, 555-614 (2017)
- [11] M. BOUSQUET-MÉLOU, S. JANSON The density of the ISE and local limit laws for embedded trees. *Ann. Appl. Probab.* 16, 1597–1632 (2006)
- [12] T. BUDD, The peeling process of infinite Boltzmann planar maps. *Electron. J. Combin.* 23, no. 1, Paper 1.28, 37 pp. (2016)
- [13] T. BUDZINSKI, The hyperbolic Brownian plane. *Probab. Theory Related Fields*, to appear, [arXiv:1604.06622](#)
- [14] D. BURAGO, Y. BURAGO, S. IVANOV, *A Course in Metric Geometry*. Graduate Studies in Mathematics, vol. 33. Amer. Math. Soc., Boston, 2001.
- [15] P. CHASSAING, B. DURHUUS Local limit of labeled trees and expected volume growth in a random quadrangulation. *Ann. Probab.* 34, 879-917 (2006)
- [16] P. CHASSAING, G. SCHAEFFER, Random planar lattices and integrated superBrownian excursion. *Probab. Theory Related Fields* 128, 161–212 (2004)
- [17] F. CARAVENNA, L. CHAUMONT, Invariance principles for random walks conditioned to stay positive. *Ann. Inst. H. Poincaré Probab. Stat.* 44, 170-190 (2008)

- [18] N. CURIEN, Peeling random planar maps. Notes du cours Peccot (2016). Available at <https://www.math.u-psud.fr/~curien/cours/peccot.pdf>
- [19] N. CURIEN, J.-F. LE GALL, The hull process of the Brownian plane. *Probab. Theory Related Fields* 166, 187–231 (2016)
- [20] N. CURIEN, J.-F. LE GALL, Scaling limits for the peeling process on random maps. *Ann. Inst. H. Poincaré Probab. Stat.* 53, 322–357 (2017)
- [21] N. CURIEN, J.-F. LE GALL, G. MIERMONT, The Brownian cactus I. Scaling limits of discrete cactuses. *Ann. Inst. H. Poincaré Probab. Stat.* 49, 340–373 (2013)
- [22] N. CURIEN, G. MIERMONT Uniform infinite planar quadrangulation with a boundary. *Random Struct. Alg.* 47, 30–58 (2015)
- [23] N. CURIEN, L. MÉNARD, G. MIERMONT, A view from infinity of the Uniform Infinite Planar Quadrangulation. *ALEA, Lat. Am. J. Probab. Math. Stat.* 10, 45–88 (2013)
- [24] T. DUQUESNE, J.-F. LE GALL, Random trees, Lévy processes and spatial branching processes. *Astérisque* 281 (2002)
- [25] E. GWYNNE, J. MILLER, Scaling limit of the uniform infinite half-plane quadrangulation in the Gromov-Hausdorff-Prokhorov-uniform topology. Preprint, available at [arXiv:1608.00954](https://arxiv.org/abs/1608.00954)
- [26] E. GWYNNE, J. MILLER, Convergence of the self-avoiding walk on random quadrangulations to $SLE_{8/3}$ on $\sqrt{8/3}$ -Liouville quantum gravity. Preprint, available at [arXiv:1608.00956](https://arxiv.org/abs/1608.00956)
- [27] E. GWYNNE, J. MILLER, Convergence of the free Boltzmann quadrangulation with simple boundary to the Brownian disk. Preprint, available at [arXiv:1701.05173](https://arxiv.org/abs/1701.05173)
- [28] E. GWYNNE, J. MILLER, Convergence of percolation on uniform quadrangulations with boundary to SLE_6 on $\sqrt{8/3}$ -Liouville quantum gravity. Preprint, available at [arXiv:1701.05175](https://arxiv.org/abs/1701.05175)
- [29] E. JACOB, G. MIERMONT, The Brownian map contains Brownian disks. In preparation.
- [30] J.-F. LE GALL, *Spatial Branching Processes, Random Snakes and Partial Differential Equations*. Lectures in Mathematics ETH Zürich. Birkhäuser, Boston, 1999.
- [31] J.-F. LE GALL, The topological structure of scaling limits of large planar maps. *Invent. Math.*, 169, 621–670 (2007)
- [32] J.-F. LE GALL, Geodesics in large planar maps and in the Brownian map. *Acta Math.*, 205, 287–360 (2010)
- [33] J.-F. LE GALL, Uniqueness and universality of the Brownian map. *Ann. Probab.* 41, 2880–2960 (2013)
- [34] J.-F. LE GALL, Bessel processes, the Brownian snake and super-Brownian motion. In: Séminaire de Probabilités XLVII. Lecture Notes in Math. 2137, pp. 89–105. Springer, 2015.

- [35] J.-F. LE GALL, The Brownian cactus II: upcrossings and local times of super-Brownian motion. *Probab. Theory Related Fields* 162, 199-231 (2015)
- [36] J.-F. LE GALL, Subordination of trees and the Brownian map. *Probab. Theory Related Fields*, to appear, [arXiv:1605.07601](https://arxiv.org/abs/1605.07601)
- [37] J.-F. LE GALL, G. MIERMONT, Scaling limits of random trees and planar maps. In: Probability and Statistical Physics in Two and More Dimensions, Clay Mathematics Proceedings, vol.15, pp.155-211, AMS-CMI, 2012
- [38] J.-F. LE GALL, M. WEILL, Conditioned Brownian trees. *Ann. Inst. H. Poincaré Probab. Stat.* 42, 455–489 (2006)
- [39] J.-F. MARCKERT, A. MOKKADEM, States spaces of the snake and of its tour – Convergence of the discrete snake. *J. Theoret. Probab.* 16, 1015-1046 (2003)
- [40] J.-F. MARCKERT, A. MOKKADEM, Limit of normalized quadrangulations. The Brownian map. *Ann. Probab.*, 34, 2144-2202 (2006)
- [41] C. MARZOUK, Scaling limits of random bipartite planar maps with a prescribed degree sequence. *Random Struct. Alg.*, to appear, [arXiv:1612.08618](https://arxiv.org/abs/1612.08618)
- [42] G. MIERMONT, Tessellations of random maps of arbitrary genus. *Ann. Sci. Éc. Norm. Supér.* 42, 725–781 (2009)
- [43] G. MIERMONT, The Brownian map is the scaling limit of uniform random plane quadrangulations. *Acta Math.*, 210, 319–401 (2013)
- [44] G. MIERMONT, Aspects of random maps. Lecture notes from the 2014 Saint-Flour Probability Summer School. Available at <http://perso.ens-lyon.fr/gregory.miermont/coursSaint-Flour.pdf>
- [45] J. MILLER, S. SHEFFIELD, An axiomatic characterization of the Brownian map. Preprint, available at [arXiv:1506.03806](https://arxiv.org/abs/1506.03806)
- [46] J. MILLER, S. SHEFFIELD, Liouville quantum gravity and the Brownian map I: The QLE(8/3,0) metric. Preprint, available at [arXiv:1507.00719](https://arxiv.org/abs/1507.00719)
- [47] J. MILLER, S. SHEFFIELD, Liouville quantum gravity and the Brownian map II: Geodesics and continuity of the embedding. Preprint, available at [arXiv:1605.03563](https://arxiv.org/abs/1605.03563)
- [48] J. MILLER, S. SHEFFIELD, Liouville quantum gravity and the Brownian map III: the conformal structure is determined . Preprint, available at [arXiv:1608.05391](https://arxiv.org/abs/1608.05391)
- [49] Y. PERES, Probability on Trees: An Introductory Climb. Notes from the 1997 Saint Flour Summer School. *Lecture Notes Math.* 1717, pp. 193-280. Springer 1999.
- [50] D. REVUZ, M. YOR, *Continuous Martingales and Brownian Motion*. Springer, Berlin, 1991.